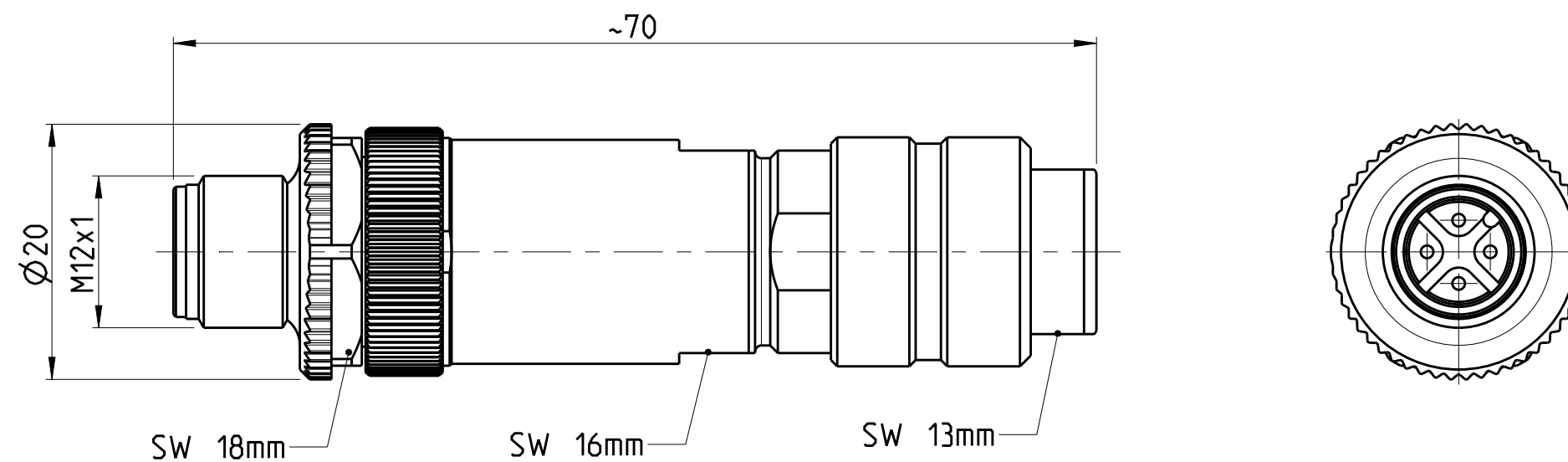
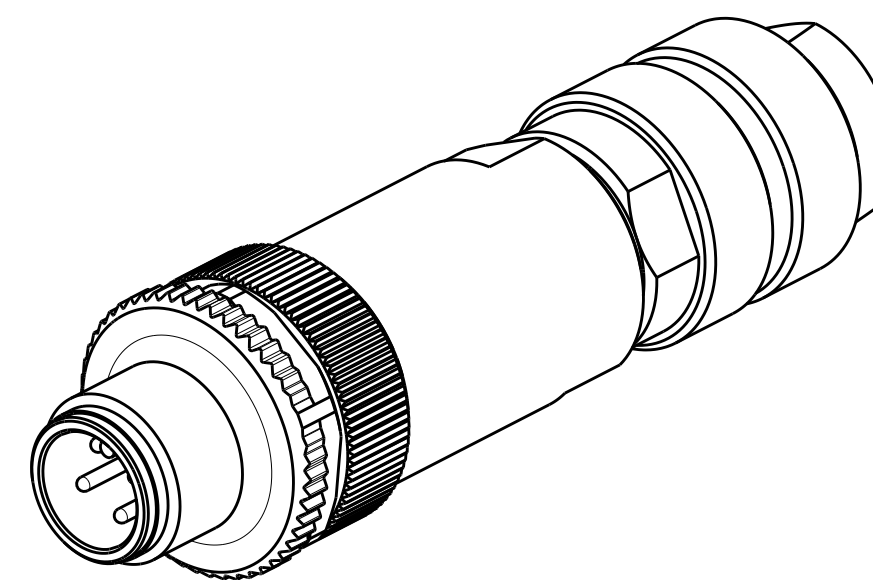


REVISIONS ÄNDERUNGEN		DATE	DWN	APVD
P	LTR	DESCRIPTION BESCHREIBUNG		
	A2	DESCRIPTION CORRECTED FROM SOLDER TO SCREW TERMINAL IN TITLE BLOCK	13NOV2014	CR JK

- 1 MATERIAL: ITEM NO. 1: HOUSING - ZINC DIE CASTING, NICKEL PLATED  
 ITEM NO. 2: CONTACT BODY - PA  
 ITEM NO. 3: CONTACT - CuZn  
 CONTACT FINISH - Au
- 2 ALL DIMENSIONS ARE FOR NOMINAL REFERENCE ONLY UNLESS OTHERWISE STATED
- 3 MEASUREMENT REFERENCE ONLY
- 4 PACKAGING: 1 PIECE IN A BAG



TECHNICAL DATA	3-2271111-2	4-2271111-2	5-2271111-2	6-2271111-2
RATED VOLTAGE	250V	125V	60V	30V
RATED IMPULSE VOLTAGE	2500V	1500V	800V	500V
POLLUTION DEGREE	3	3	3	3
OVERVOLTAGE CATEGORY	II	II	II	II
MATERIAL GROUP	II	II	II	II
RATED CURRENT	4A	4A	2A	2A
VOLUME RESISTIVITY	≤ 3mΩ	≤ 3mΩ	≤ 3mΩ	≤ 3mΩ
DEGREE OF PROTECTION	IP67	IP67	IP67	IP67
UPPER TEMPERATURE	+85 °C	+85 °C	+85 °C	+85 °C
LOWER TEMPERATURE	-40 °C	-40 °C	-40 °C	-40 °C



3-2 AS SHOWN  
WIE GEZEICHNET

PIN ARRANGEMENT  
A-CODING

3-2271111-2	4-2271111-2	5-2271111-2	6-2271111-2

6-8	24 / 0.25mm <sup>2</sup>	⚠	12	6-2271111-2
5-8	20 / 0.50mm <sup>2</sup>	⚠	8	5-2271111-2
5-8	18 / 0.75mm <sup>2</sup>	⚠	5	4-2271111-2
5-8	18 / 0.75mm <sup>2</sup>	⚠	4	3-2271111-2
CABLE FEED-THROUGH mm	WIRES AWG / mm <sup>2</sup>	MATERIAL	NUMBER OF POLES	TE-PART-NO.

DIESE ZEICHNUNG IST EIN KONTROLLIERTES DOKUMENT.  
BEMASSUNGEN UND TOLERANZEN GEMAESS GPS (ISO STANDARDS).

THIS DRAWING IS A CONTROLLED DOCUMENT.  
DIMENSIONING AND TOLERANCING PER GPS (ISO STANDARDS).

DIMENSIONS: MASSE/WEITEN: [mm]	TOLERANCES UNLESS OTHERWISE SPECIFIED: ALLGEMEINTOLERANZEN	DWN YASHKUMAR 04 JUN 2014
	0 PLC ± 1 PLC ± 2 PLC ± 3 PLC ± 4 PLC ±	CHK M. STRELOW 04 JUN 2014
MATERIAL	ANGLES/WINKEL ± FINISH/OBERFLÄCHE/FARBE	APVD C. SCHREITLINGER 04 JUN 2014
-	-	NAME M12 MALE STRAIGHT, FIELD INSTALLABLE, SHIELDED CONNECTOR, SCREW TERMINALS, A-CODING
-	-	SIZE A2
Customer Drawing		CAGE CODE 00779
		DRAWING NO. C-2271111
		RESTRICTED TO MUR FÜR
		SCALE MASSSTAB 2:1
		SHEET BLATT 1 OF 1
		REV A2

SIZE ISO 14405 (E)