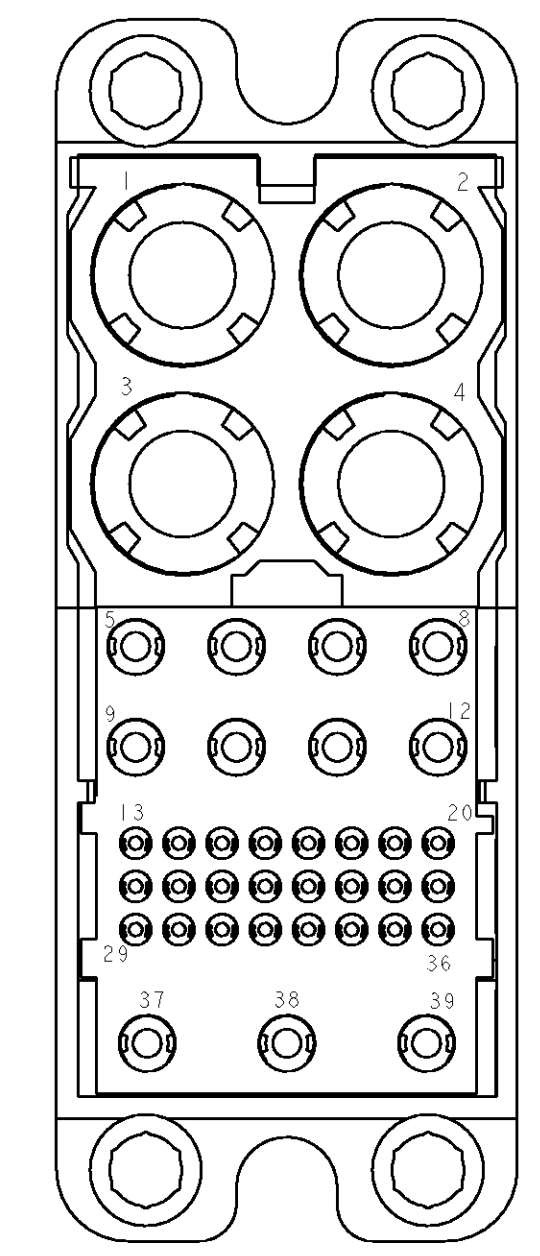
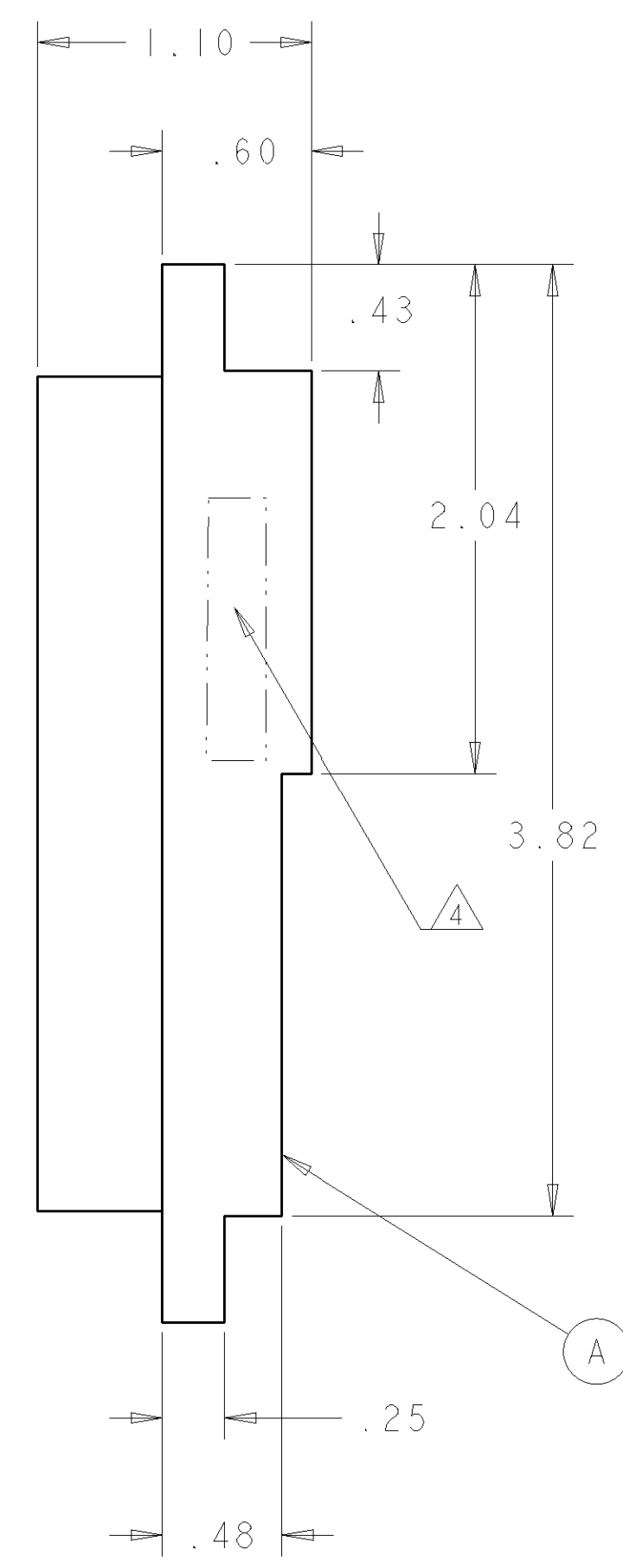
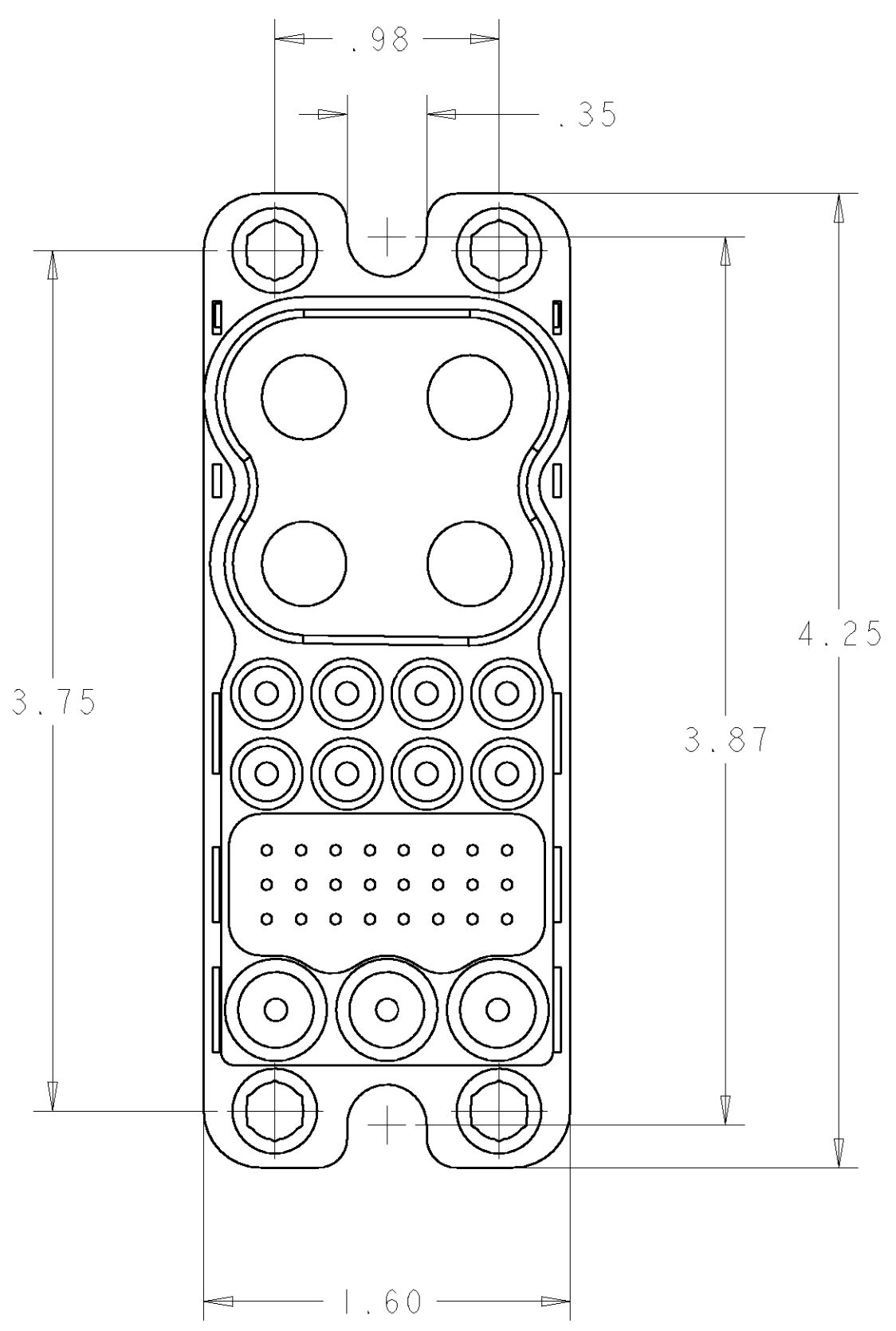


THIS DRAWING IS UNPUBLISHED. RELEASED FOR PUBLICATION 20
 © COPYRIGHT 20 BY TYCO ELECTRONICS CORPORATION. ALL RIGHTS RESERVED.

LOC	DIST	REVISIONS			
P	LTR	DESCRIPTION	DATE	DWN	APVD
GP	00	A	NEW RELEASED	16APR2007	RG DO



- PIN CONTACT (B)
SIZE #0
- PIN CONTACT (D)
SIZE #12
- PIN CONTACT (C)
SIZE #20
- PIN CONTACT (D)
SIZE #12

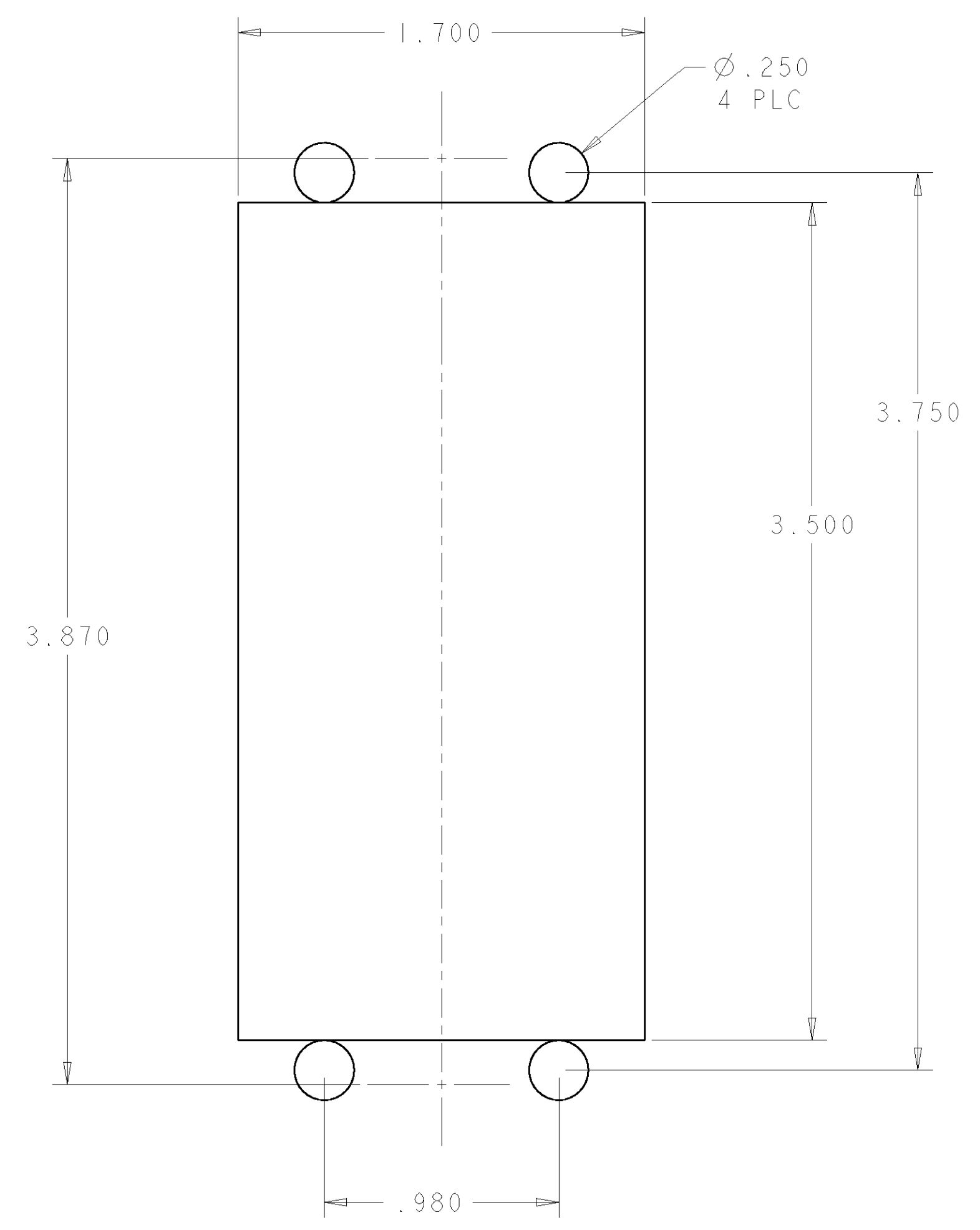
△5	2	1650399-1	SCREW, NO. 10-32 UNC 2A	E
△5	11	1766193-1	CONTACT, PIN, #12, CRIMP	D
△5	10	1650155-1	CONTACT, PIN, #20, CRIMP	C
△5	4	1766811-1	CONTACT, PIN, #0, CRIMP	B
△5	1	1648552-2	CONNECTOR, PIN	A
	-1	PART NUMBER	DESCRIPTION	ITEM

<small>THIS DRAWING IS A CONTROLLED DOCUMENT FOR TYCO ELECTRONICS CORPORATION IT IS SUBJECT TO CHANGE AND THE CONTROLLING ENGINEERING ORGANIZATION SHOULD BE CONTACTED FOR THE LATEST REVISION.</small>		DWN R. GRZYBOWSKI 22MAR07 CHK D. ORRIS 22MAR07 APVD S. FLICKINGER 22MAR07	tyco Electronics Tyco Electronics Harrisburg, PA 17105-3608
DIMENSIONS: INCHES 		TOLERANCES UNLESS OTHERWISE SPECIFIED: 0 PLC ± 1 PLC ± 2 PLC ±.02 3 PLC ±.010 4 PLC ± ANGLES ±.5 FINISH	NAME DOUBLE DRAWER CONNECTOR, PIN PRODUCT SPEC - APPLICATION SPEC - WEIGHT - CUSTOMER DRAWING
MATERIAL		SCALE 2:1	RESTRICTED TO
		SIZE A200779C-1926461	SHEET 1 OF 2 REV A

ELCON DRAWER

THIS DRAWING IS UNPUBLISHED. RELEASED FOR PUBLICATION 20
 © COPYRIGHT 20 BY TYCO ELECTRONICS CORPORATION. ALL RIGHTS RESERVED.

LOC	DIST	REVISIONS					
		P	LTR	DESCRIPTION	DATE	DWN	APVD
GP	00	-		SEE SHEET 1	-	-	-



- PART NUMBER CHANGES AND OR DESIGN CHANGES AFFECTING THE INTERCHANGEABILITY REQUIRE PRIOR TYCO APPROVAL AND AUTHORIZATION BY REVISION TO THIS DRAWING.
- MATERIAL:
 INSULATOR: THERMOPLASTIC, GLASS REINFORCED, UL 94V-0
 FLAMMABILITY RATED, COLOR: BLACK
 PIN CONTACT: TELLURIUM COPPER ALLOY
 RETENTION CLIP: BERYLLIUM COPPER
 CROWN BAND: BERYLLIUM COPPER
 FLOAT MOUNT SCREWS: STAINLESS STEEL
- FINISH:
 PIN CONTACTS SIZE#0 & #12: SILVER PLATE .000200 MIN THK.
 OVER NICKEL .000040 MIN THK.
 PIN CONTACTS SIZE #20: GOLD PLATE .000010 MIN THK.
 OVER NICKEL .000040 MIN THK.
 CROWN BAND: GOLD PLATE .000030 MIN THK. OVER
 NICKEL .000040 MIN. THK.

△ ITEMS PROVIDED TO THIS SPECIFICATION TO BE PERMANENTLY IDENTIFIED PER THE FOLLOWING IDENTIFIER:

TYCO PART NUMBER: XXXXXX-X
 DATE CODE (e.g. 0216): YEAR WEEK
 XXXX

△ CRIMP CONTACTS AND SCREWS (ITEMS B,C, D & E) SHALL BE PACKAGED SEPARATELY AND PLACED IN THE BOX WITH THE CONN. ASSEMBLY.

SUGGESTED PANEL CUTOUT
 VIEWED FROM CONNECTOR MOUNTING SIDE

<small>THIS DRAWING IS A CONTROLLED DOCUMENT FOR TYCO ELECTRONICS CORPORATION IT IS SUBJECT TO CHANGE AND THE CONTROLLING ENGINEERING ORGANIZATION SHOULD BE CONTACTED FOR THE LATEST REVISION.</small>		DWN R. GRZYBOWSKI 22MAR07 CHK D. ORRIS 22MAR07 APVD S. FLICKINGER 22MAR07	tyco Electronics Tyco Electronics Harrisburg, PA 17105-3608
DIMENSIONS: INCHES 	TOLERANCES UNLESS OTHERWISE SPECIFIED: 0 PLC ± 1 PLC ± 2 PLC ±.02 3 PLC ±.010 4 PLC ± ANGLES ±.5 FINISH	PRODUCT SPEC - APPLICATION SPEC - WEIGHT -	NAME DOUBLE DRAWER CONNECTOR, PIN SIZE A2 CAGE CODE 00779 DRAWING NO. C-1926461 RESTRICTED TO -
MATERIAL -		CUSTOMER DRAWING	
		SCALE 2:1	SHEET 2 OF 2 REV A