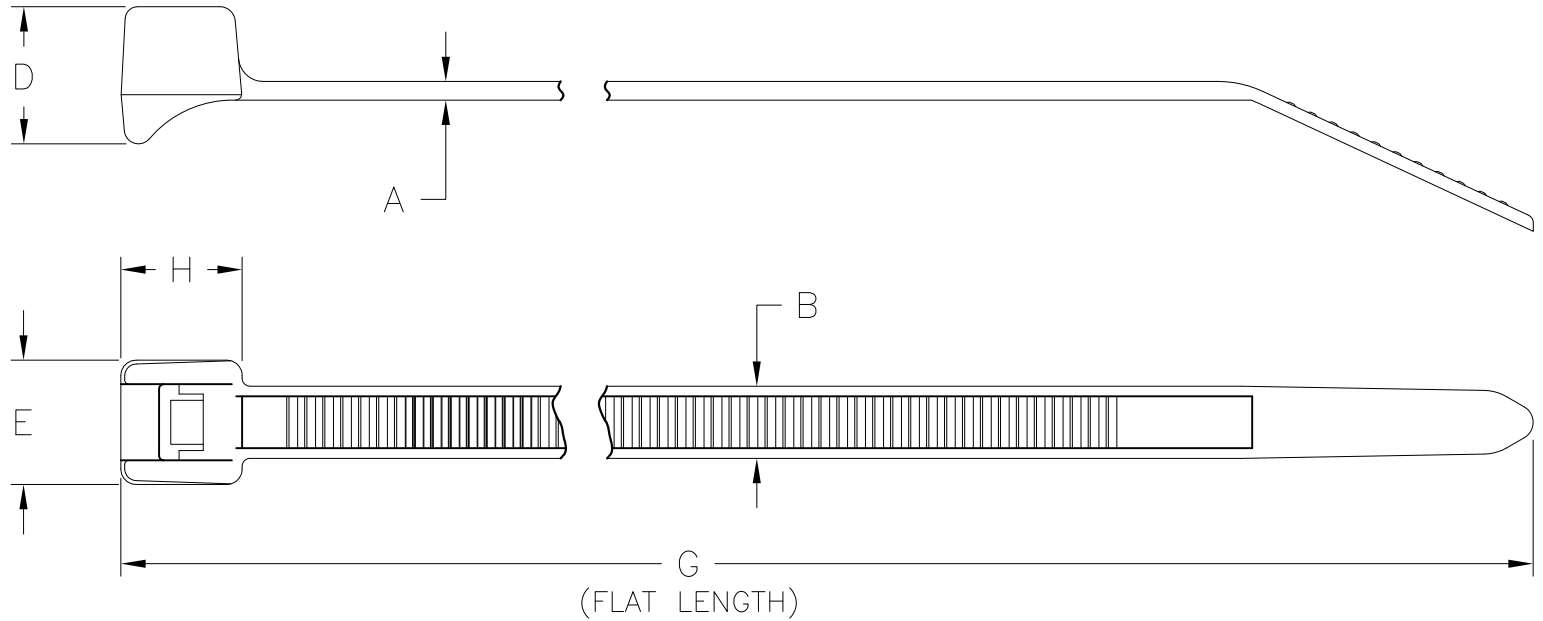


Revision level		Revision Record	Changed	Date	Approved	Date
part	drawing					
—	02	See ECN 012321	A.A.C.	03/22/13	K.A.C.	03/22/13



PRODUCT CODE DESCRIPTION

CTT60R_HS
 COLOR
 (CONSULT FACTORY FOR AVAILABLE COLORS)

Type	Cable Range (mm)	Material	A	B	D	E	G	H	Min Loop Tensile Strength (newtons)
CTT60R	1.5 to 45	PA66	1.2 ±0.2	4.7 ±0.2	8.5 ±0.5	8.0 ±0.5	202.0 ±6.0	7.50 ±0.7	265
	1.5 to 45	PA66HIRHS							
	1.5 to 45	PA66HSUV							
	1.5 to 45	PA66HS							
	1.5 to 45	PA66HIR							

SEE CHART

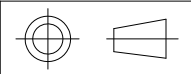
Material

Dimension tolerances unless otherwise specified
 .XXX =
 .XXX =
 .XX =
 .X = NOTED
 < =

Dimension Units mm

PERFORMANCE SPECIFICATION

ACAD MECH
2013



Drawn K.A.C. 4/11/89
 Approved K.A.C. 03/22/13

Scale 2:1
 Title

Computer File Number CT\CST\3005001_02
 Phase: Production

ALL PROPRIETARY RIGHTS IN THE SUBJECT MATTER SHOWN ON THIS DRAWING ARE EXCLUSIVE PROPERTY OF HELLERMANNTYTON

HellermannTyton®
Cable Management Products
 7930 N. Faulkner Rd.
 Milwaukee, WI 53224
 Ph: (414) 355-1130
 Fx: (414) 362-8338

**CTT60R
CLAMP TIE**

Drawing-No **CT3005001CST**

Format AH
 Sheet 1 of 1