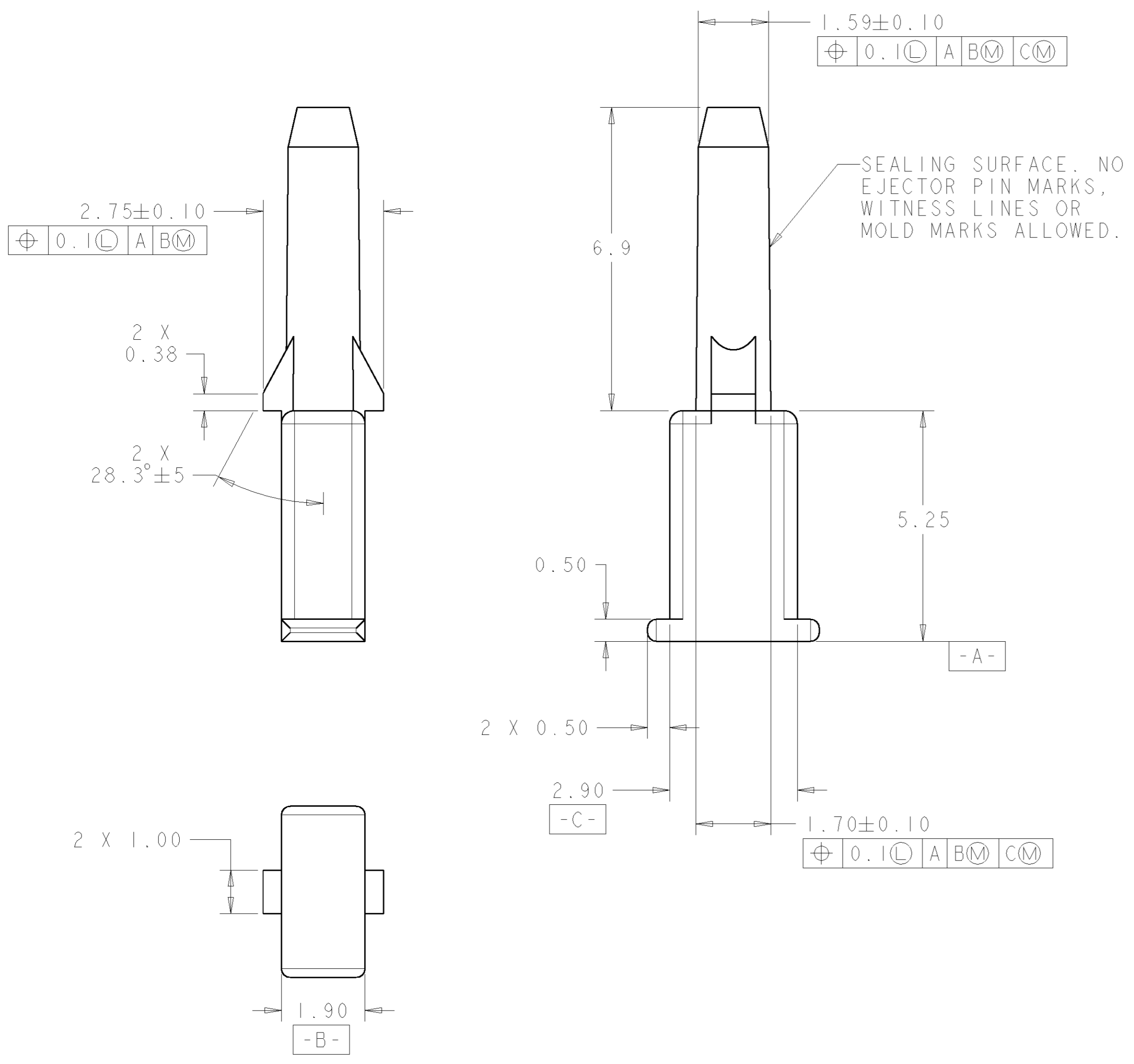
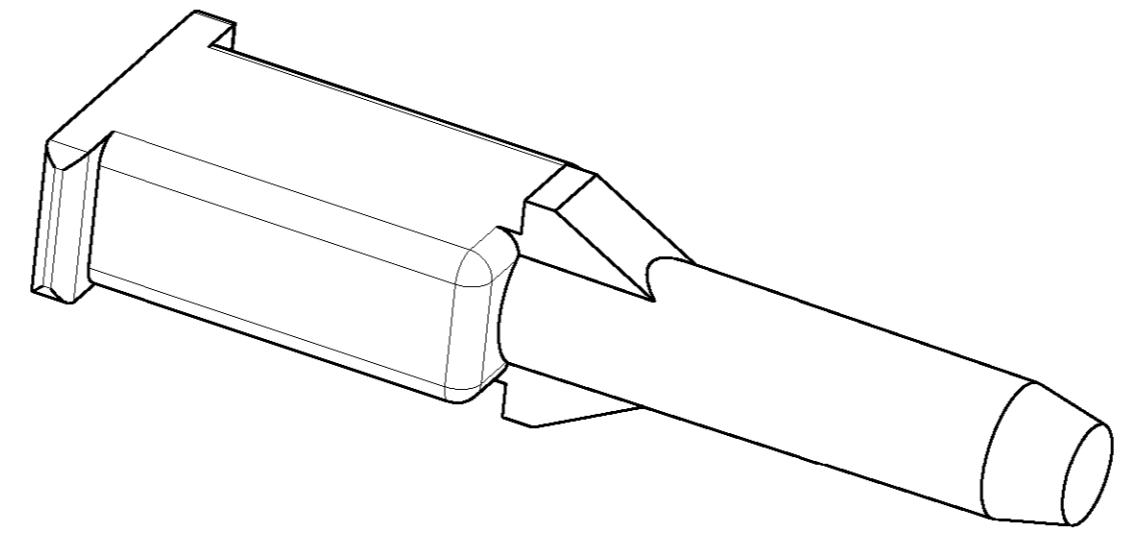
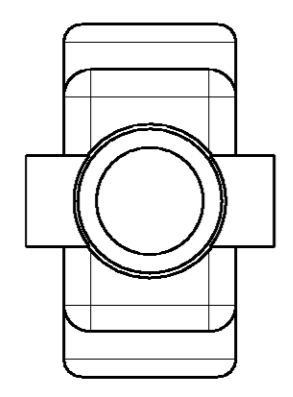


LOC	DIST	REVISIONS					
		P	LTR	DESCRIPTION	DATE	DWN	APVD
HK	00		O	INITIAL RELEASE	18SEP2002	RMP	RMP
			A	EC OKTS 0252-02	23SEP2002	RMP	RMP



- NOTES:
- ALL DIMENSIONS TO TAKEN FROM THEORETICAL SHARP CORNERS UNLESS EXPLICITLY SHOWN OTHERWISE.
 - MATERIAL: GE PLASTICS VALOX 508 (GREEN)
 - USE IN PLACE OF TERMINAL WHEN A MOLDED IN CAVITY PLUG IS NOT USED.
 - PART NUMBER
 TYCO - 1456341-1
 DIAMLERCHRYSLER -----

THIS DRAWING IS A CONTROLLED DOCUMENT FOR TYCO ELECTRONICS CORPORATION. IT IS SUBJECT TO CHANGE AND THE CONTROLLING ENGINEERING ORGANIZATION SHOULD BE CONTACTED FOR THE LATEST REVISION.		DWN R. PETROSKIE 18SEP2002	Tyco Electronics Harrisburg, PA 17105-3608	
DIMENSIONS: mm		CHK R. PETROSKIE 18SEP2002	NAME USCAR IMM CAVITY PLUG	
TOLERANCES UNLESS OTHERWISE SPECIFIED: 0 PLC ± 0.25 1 PLC ± 0.20 2 PLC ± 0.15 3 PLC ± 0.10 4 PLC ± 0.10 ANGLES ± 2 FINISH		APVD --	RESTRICTED TO --	
MATERIAL SEE NOTES		PRODUCT SPEC --	SIZE A2	CAGE CODE 00779
		APPLICATION SPEC --	DRAWING NO 1456341-1	
		WEIGHT --	SCALE --	
		CUSTOMER DRAWING		SHEET 1 OF 1 REV A