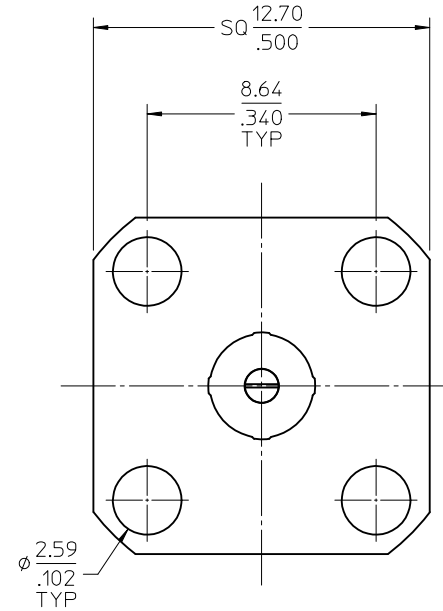
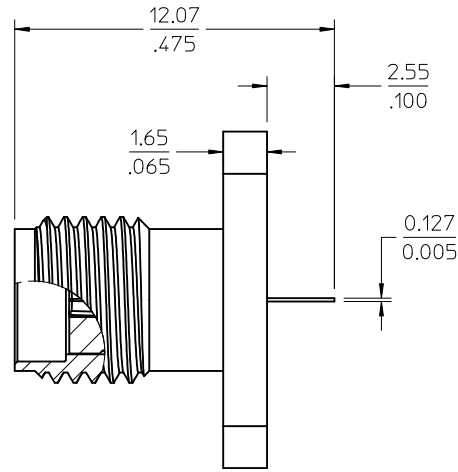
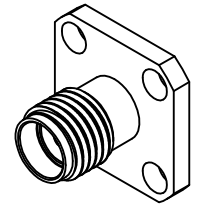
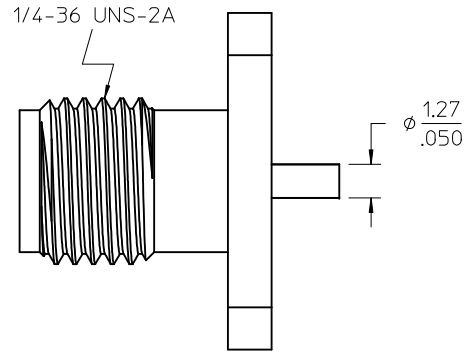


MATERIALS AND FINISHES

BODY STAINLESS STEEL PER ASTM-582
PASSIVATED

CONTACT BERYLLIUM COPPER PER ASTM-B196
PLATED GOLD

INSULATOR TEFLON PER ASTM-D-1457



PS-89675-2820	ELEC/MECH PERFORMANCE
MIL-STD-348A, FIG. 310.2	INTERFACE
SPECIFICATION	DESCRIPTION

73251-0271	73251-0270 BY TRAY (20 CAV.)
73251-0270	BY TRAY (80 CAV.)
PART NO.	PACKAGING

CHG: ADDED TOP VIEW TO SPECIFY THE SIZE OF CENTER CONTACT PER RF12-E072 EC NO: URF2012-0619 DRWNR:YEH 2012/04/19 CHKD: APPR:MHUANG 2012/05/11 A3	QUALITY SYMBOLS
	▽=0
	▽=0
	▽=0

GENERAL TOLERANCES (UNLESS SPECIFIED)		DIMENSION STYLE MM/IN	SCALE 3.5:1	DESIGN UNITS METRIC	THIRD ANGLE PROJECTION
4 PLACES	± .005	± .0002	DRAWN BY EDC	DATE 2000/02/10	TITLE SMA JACK TAB TERMINAL 4 HOLES FLANGE SQ.500 SMA-J/PCB molex DOCUMENT NO. SD-73251-027 SHEET NO. 1 OF 1
3 PLACES	± .005	± .0002	CHECKED BY DHG	DATE 2000/02/10	
2 PLACES	± .005	± .0002	APPROVED BY GMH	DATE 2000/02/10	
1 PLACE	± .005	± .0002	MATERIAL NO.		
0 PLACE	± .005	± .0002	DRAFT WHERE APPLICABLE MUST REMAIN WITHIN DIMENSIONS		
ANGULAR ± 2°		SIZE C		THIS DRAWING CONTAINS INFORMATION THAT IS PROPRIETARY TO MOLEX INCORPORATED AND SHOULD NOT BE USED WITHOUT WRITTEN PERMISSION	