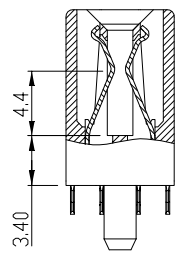
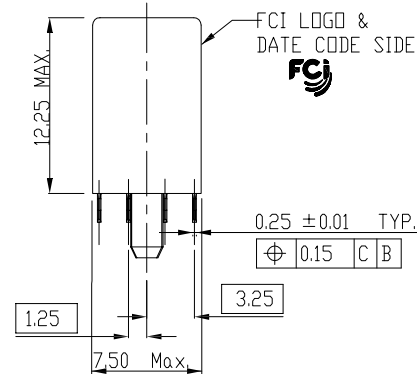
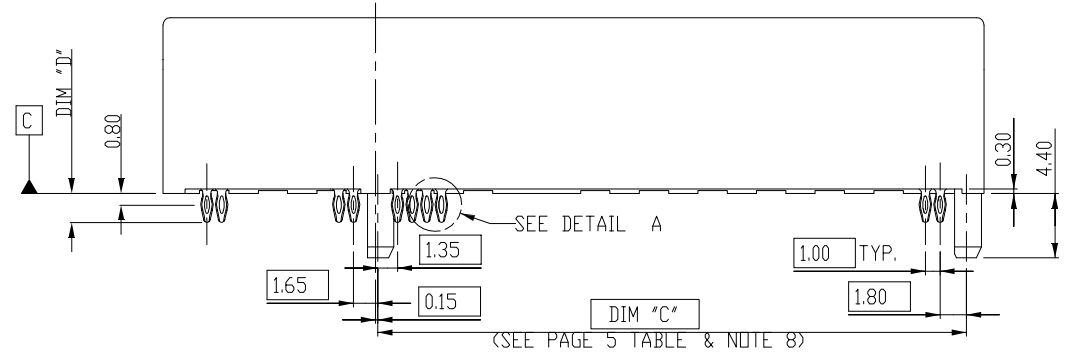
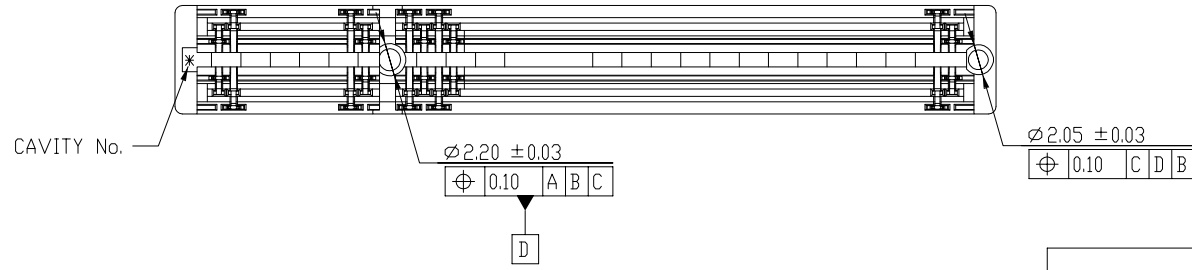


DETAIL A
SCALE 8.000

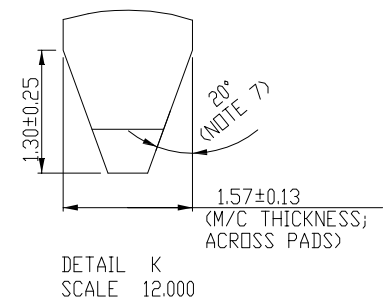
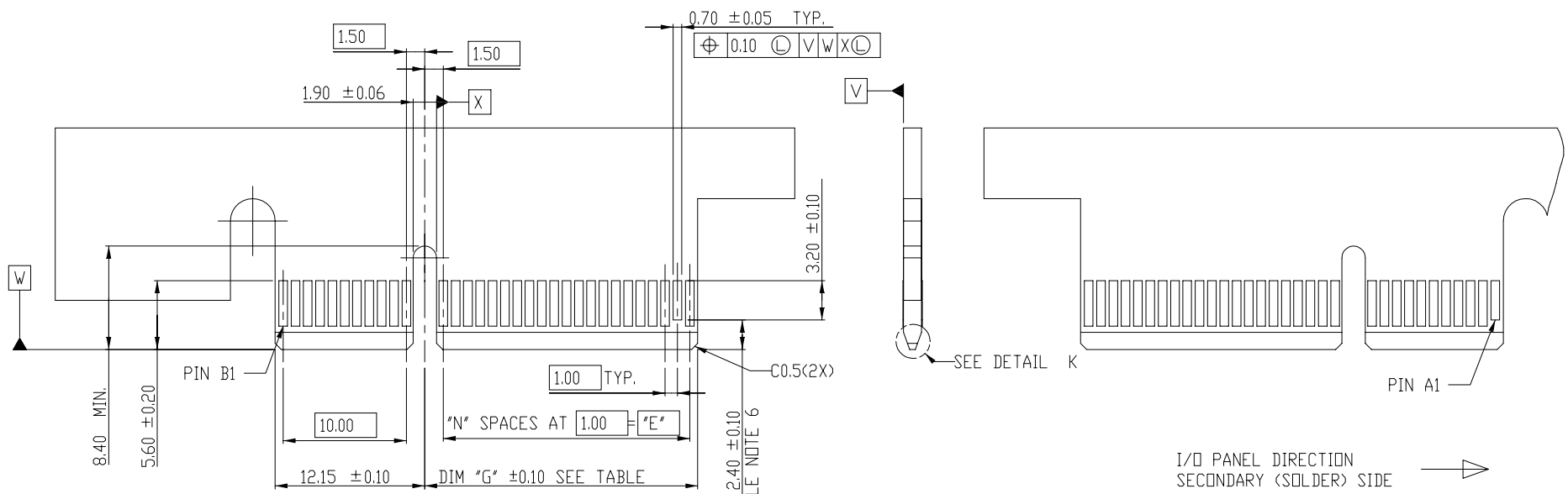


SECTION A-A
SCALE 2.000



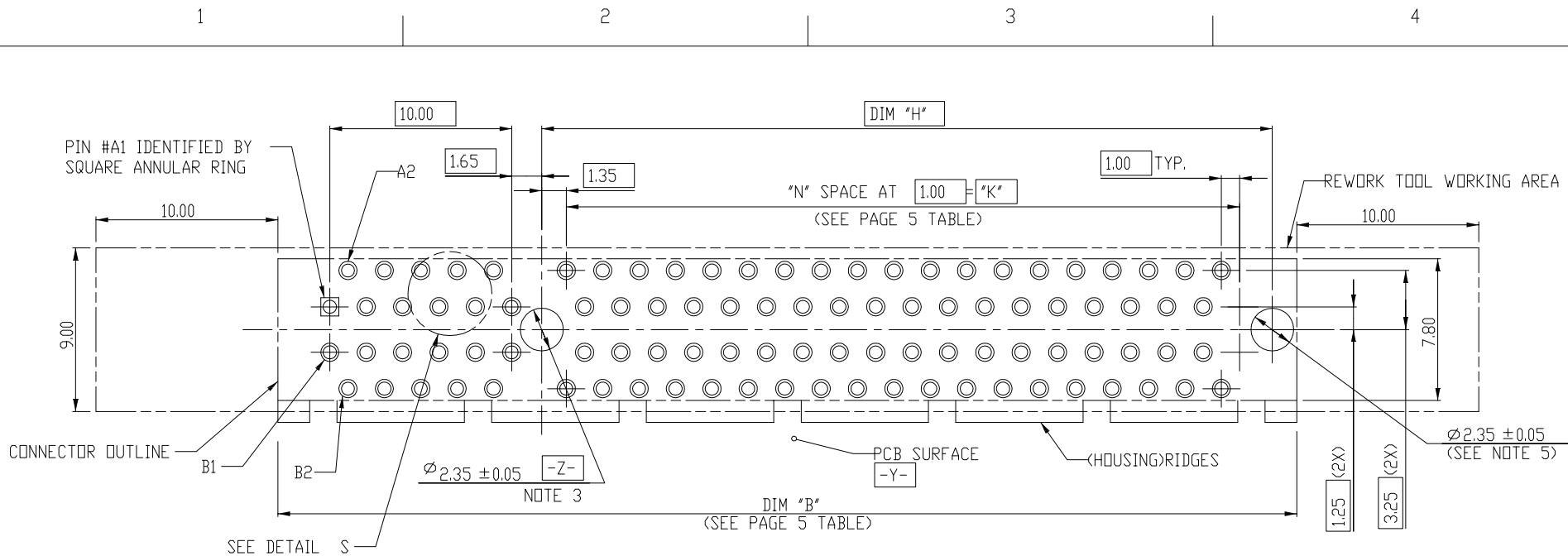
rev	ecn no	dr	date
A	T09-1074	RC	05/19/2009
B	T09-1112	RC	09/02/2009
C	T09-1159	RC	12/16/2009
D	DG-008068	HT	11/22/2011
E	ELX-DG-21161-1	ST	05/27/16
-	-	-	-
-	-	-	-

www.fciconnect.com				surface <input checked="" type="checkbox"/>	tolerance std	projection	MM
				TOLERANCES UNLESS OTHERWISE SPECIFIED		\varnothing	←→
Dr	P	STONE LI	05/27/15	ANGULAR	0.X ±0.25	size	Scale 1.000
Eng	P	STONE LI	05/27/15	LINEAR	0.XX ±0.15	A4	
Chr	P	/	/	0° ±5°	0.XXX ±0.10	ECN ELX-DG-21161-1	
Appr	J	PM ZHENG	05/27/15	Product family		Spec ref	
FCI				title PCIE GEN3 EXPRESS MODULE PRESS-FIT ASSEMBLY		dwg no 10092852	
				catalog no -		CUSTOMER sheet 1 of 6	
						Rev. E	



PDS. REF.	N	DIM "G"	"F"
36	6	8.15	B17
64	20	22.15	B31
98	37	39.15	B48
164	70	72.15	B81

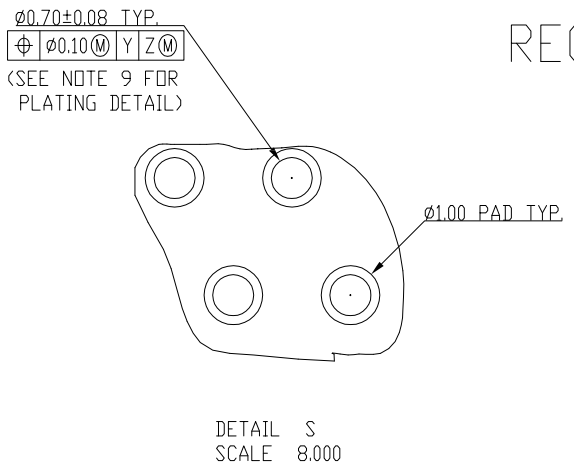
www.fciconnect.com				surface <input checked="" type="checkbox"/>	tolerance std	projection	MM
TOLERANCES UNLESS OTHERWISE SPECIFIED						← →	
Dr	STONE LI	05/27/15	ANGULAR	0.X	±0.25	size	Scale 1.000
Eng	STONE LI	05/27/15	LINEAR	0.XX	±0.15	A4	
Chr	/	/	0° ±5°	0.XXX	±0.10	ECN ELX-DG-21161-1	
Appr	PM ZHENG	05/27/15	Product family			Spec ref	
				title PCIE GEN3 EXPRESS MODULE PRESS-FIT ASSEMBLY		dwg no 10092852	
catalog no -				CUSTOMER		Rev. E sheet 2 of 6	



← I/O PANEL DIRECTION

RECOMMENDED FOOTPRINT

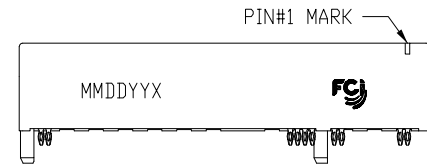
POS. REF.	N	DIM "H"	DIM "K"
36	6	9.15	6.00
64	20	23.15	20.00
98	37	40.15	37.00
164	70	73.15	70.00



www.fciconnect.com			surface <input checked="" type="checkbox"/>	tolerance std	projection	MM
			TOLERANCES UNLESS OTHERWISE SPECIFIED			← →
Dr	STONE LI	05/27/15	ANGULAR	0.X	±0.25	size A4
Eng	STONE LI	05/27/15	LINEAR	0.XX	±0.15	Scale 1.000
Chr	/	/	0° ±5°	0.XXX	±0.10	ECN ELX-DG-21161-1
Appr	PM ZHENG	05/27/15	Product family		Spec ref	
			title PCIE GEN3 EXPRESS MODULE PRESS-FIT ASSEMBLY		dwg no 10092852	Rev. E
			catalog no -	CUSTOMER	sheet 3 of 6	

NOTES:

1. MATERIAL:
 - HOUSING: HIGH PERFORMANCE RESIN, GLASS FILLED UL94V-0 RATED
 - TERMINAL: COPPER ALLOY
 - PLATING: 50u" NICKEL UNDERPLATE ALL OVER TERMINAL
 - CONTACT AREA PLATING - SEE PRODUCT NUMBER CODE
 - CONTACT TAIL: TIN OR Sn/Pb - 100u" MIN. OVER 50u" NICKEL
2. P/N SEE TABLE AND PRODUCT NUMBER CODE : DESH-XXXXTLF FOR TRAY PACKAGING.
3. PACKAGING SPECIFICATION: GS-14-974
4. PRODUCT SPECIFICATION : GS-12-584
- △ THE HORIZONTAL AXIS FOR THE HOLE PATTERN IS ESTABLISHED BY A LINE THROUGH THE CENTER OF THE TWO Ø2.35 HOLES.
- △ THE VERTICAL AXIS IS 90° TO THE HORIZONTAL AXIS, THROUGH THE CENTER OF DATUM Z.
- △ NO TIE BAR PERMITTED FROM CARD EDGE TO LEADING EDGE OF PAD FOR PINS A1 AND PIN NUMBERS "F".
- △ CHAMFER EDGES MUST BE FREE OF CUTTING BURRS.
- △ DIMENSION APPLIES AT CENTER OF PLASTIC PEGS, DIMENSION SHOWN IS TO CENTER LINE OF PEGS.
- △ ALL PTH SHOULD BE 0.70~0.82 mm DIA DRILLED AND 0.025 mm MIN. ELECTRO-DEPOSITED COPPER THK ON THROUGH HOLE WALL.
10. PRODUCT RoHS DEFINITIONS:
 - a-IF TERMINAL PLATING OPTION IS "0,1 OR 2" WHICH MEANS PRODUCT IS 'ROHS COMPATIBLE'. THERE WILL BE "LF" SUFFIX IN THE END.
 - b-IF TERMINAL PLATING OPTION IS "3,4 OR 5" WHICH MEANS PRODUCT IS 'ROHS COMPLIANT'. THERE WILL BE NO "LF" SUFFIX IN THE END.
 - c-"LF" MEANS THE PRODUCT IS LEAD-FREE, 2um MINIMUM MATTE TIN OVER 1.27um MINIMUM NICKEL UNDERPLATE.
11. THE PRODUCT IS NOT INTENDED TO BE EXPOSED TO A MANUFACTURING SOLDER PROCESS.



DATE CODE:
MMDDYY:MONTH/DAY/YEAR
X: "K" - GEN.2 MARK



HOUSING COLOR OPTION:
1: BLACK

0: NON-RIDGE TYPE
1: RIDGE TYPE
(SEE SIDE VIEW OF THIS PAGE)

TERMINAL PLATING OPTIONS

0-50u" Ni UNDERPLATE
30u" Au CONTACT AREA
100u" TIN TAIL AREA -----RoHS COMPATIBALE

1-50u" Ni UNDERPLATE
15u" Au CONTACT AREA
100u" TIN TAIL AREA -----RoHS COMPATIBALE

2-50u" Ni UNDERPLATE
GOLD FLASH CONTACT AREA
100u" TIN TAIL AREA -----RoHS COMPATIBALE

3-50u" Ni UNDERPLATE
30u" Au CONTACT AREA
100u" TIN/LEAD TAIL AREA -----RoHS COMPLIANT

4-50u" Ni UNDERPLATE
15u" Au CONTACT AREA
100u" TIN/LEAD TAIL AREA -----RoHS COMPLIANT

5-50u" Ni UNDERPLATE
GOLD FLASH CONTACT AREA
100u" TIN/LEAD TAIL AREA -----RoHS COMPLIANT

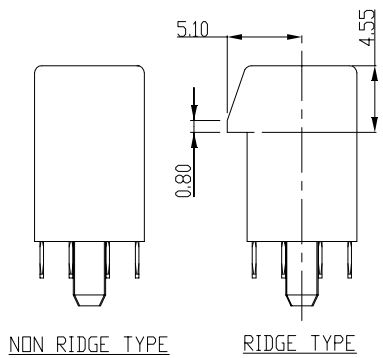
LEAD FREE OPTION
"LF": LEAD-FREE (FOR TERMINAL PLATING OPTION 0,1,2)
"□□": NOT LEAD-FREE (FOR TERMINAL PLATING OPTION 3,4,5)

PACKAGING OPTIONS
T-TRAY PACKAGING

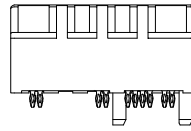
PDS OPTIONS
0-36
1-64
2-98
3-164

TAIL LENGTH OPTIONS

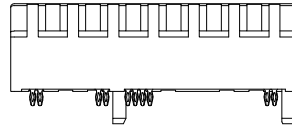
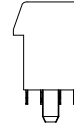
	DIM "D"	PCB THICKNESS
0	2.00±0.20	2.36
1	3.25±0.20	4.19



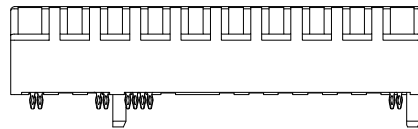
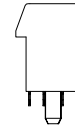
www.fciconnect.com			surface <input checked="" type="checkbox"/>	tolerance std	projection	MM
			TOLERANCES UNLESS OTHERWISE SPECIFIED			Scale 1.000
Dr	TONE LI	05/27/15	ANGULAR	0.X ±0.25	size A4	
Eng	TONE LI	05/27/15	LINEAR	0.XX ±0.15		
Chr	/	/	0° ±5°	0.XXX ±0.10	ECN ELX-DG-21161-1	
Appr	PM ZHENG	05/27/15	Product family		Spec ref	
			title PCIE GEN 3		dwg no 10092852	
			EXPRESS MODULE PRESS-FIT ASSEMBLY		Rev. E	
			catalog no -		CUSTOMER sheet 4 of 6	



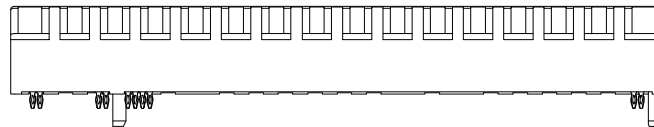
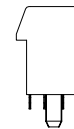
36 PIN RIDGE TYPE FRONT VIEW



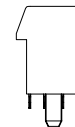
64 PIN RIDGE TYPE FRONT VIEW



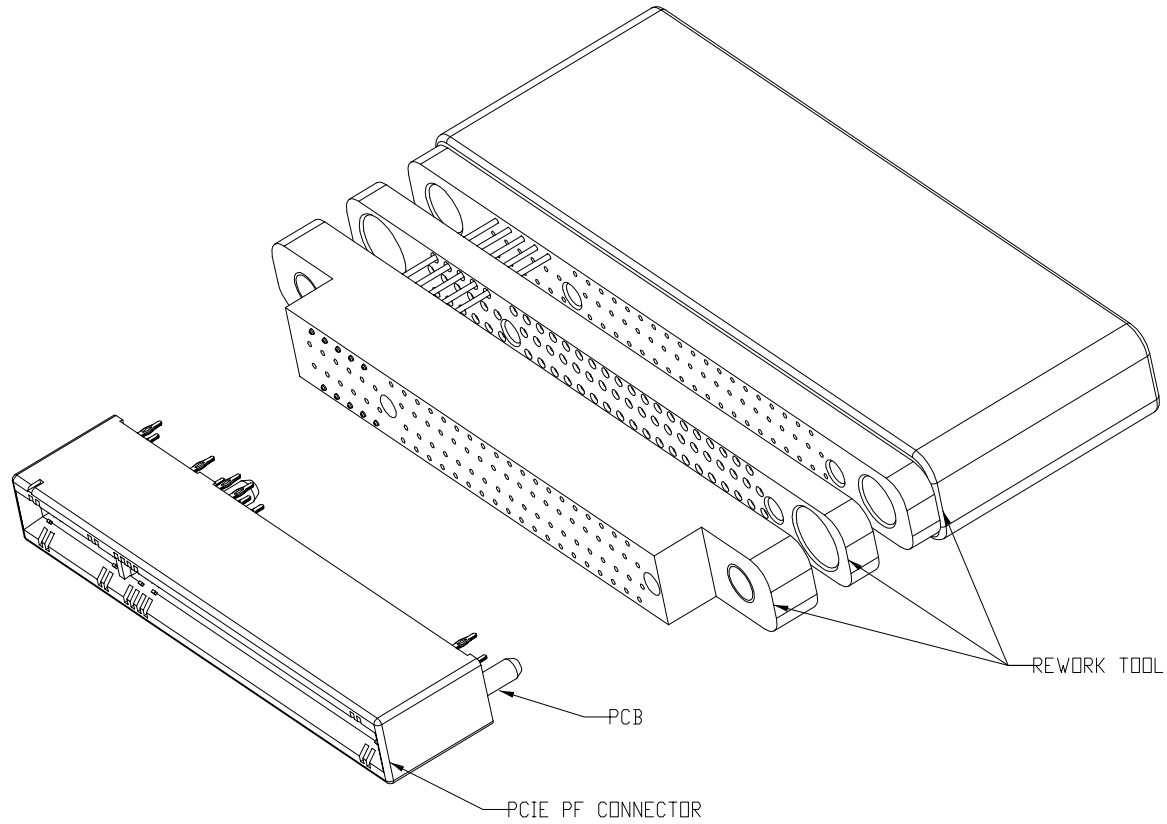
98 PIN RIDGE TYPE FRONT VIEW



164 PIN RIDGE TYPE FRONT VIEW



www.fciconnect.com		surface <input checked="" type="checkbox"/>	tolerance std	projection	MM
		TOLERANCES UNLESS OTHERWISE SPECIFIED			
Dr	STONE LI 05/27/15	ANGULAR	0.X ±0.25	size	Scale 1.000
Eng	STONE LI 05/27/15	LINEAR	0.XX ±0.15		
Chr	/ /	0° ±5°	0.XXX ±0.10	ECN ELX-DG-21161-1	
Appr	PM ZHENG 05/27/15	Product family	-	Spec ref	
	title PCIE GEN3		dwg no	10092852	Rev. E
	EXPRESS MODULE PRESS-FIT ASSEMBLY				
	catalog no	-	CUSTOMER	sheet 5 of 6	



CONNECTOR REWORK TOOL & ILLUSTRATION
(SEE APPLICATION SPECIFICATION GS-20-117
FOR DETAILS)

PRODUCT DIMENSION TABLE FOR EACH TYPES

CONNECTOR	# POS REF.	N	DIM 'A'	DIM 'B'	DIM 'C'	DIM 'E'
1 PORT	36	6	7.65	25.00	9.15	6.00
4 PORT	64	20	21.65	39.00	23.15	20.00
8 PORT	98	37	38.65	56.00	40.15	37.00
16 PORT	164	70	71.65	89.00	73.15	70.00

www.fciconnect.com			surface <input checked="" type="checkbox"/>	tolerance std	projection	MM	
			TOLERANCES UNLESS OTHERWISE SPECIFIED				
Dr	STONE LI	05/27/15	ANGULAR	LINEAR	0.X	±0.25	
Eng	STONE LI	05/27/15			0.XX	±0.15	size A4
Chr	/	/	0°	±5°	0.XXX	±0.10	ECN ELX-DG-21161-1
Appr	PM ZHENG	05/27/15	Product family			Spec ref	
		title PCIE GEN3 EXPRESS MODULE PRESS-FIT ASSEMBLY			no 10092852		Rev. E
		catalog no			CUSTOMER		sheet 6 of 6