

CY8CKIT-143A PSoc[®] 4 BLE 256KB MODULE

CY8CKIT-143A PSoc[®] 4 BLE 256KB Module is an easy-to-use solution for creating a complete BLE system with Bluetooth[®] 4.2 features. The module features a PSoc 4 BLE device (CY8C4248LQI-BL583), 24-MHz and 32.768-kHz crystals, a PCB antenna, and other passives while providing access to all GPIOs of the device.

For more information on Cypress's BLE solutions visit www.cypress.com/BLE

PSoc 4 BLE is a 48-MHz ARM[®] Cortex[®]-M0 based single-chip solution that integrates a programmable analog front end, programmable digital peripherals, CapSense[®] touch-sensing technology, and includes a royalty-free stack and radio compatible with Bluetooth 4.2.

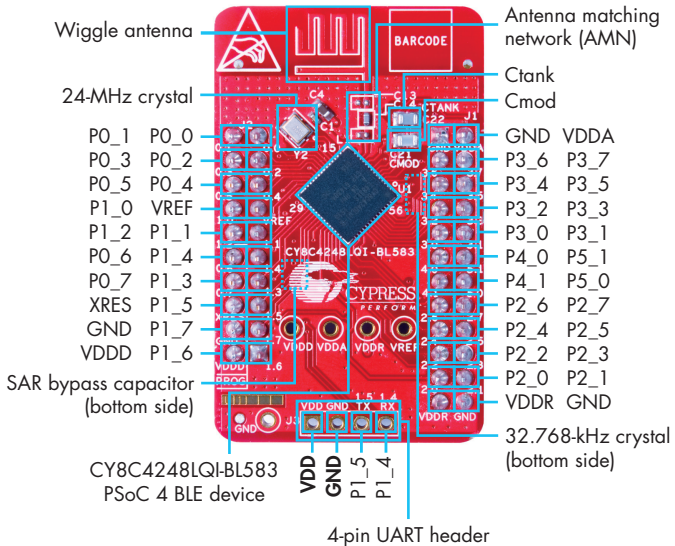


Fig-1: Pinout Description for CY8CKIT-143A

Note: To apply power to the module, apply 1.9 V - 5.0 V to any of the VDD pins (VDD, VDDD, VDDA, or VDDR) and 0 V to any GND pin

CY8CKIT-143A PSoC® 4 BLE 256KB MODULE

STANDALONE USE WITH PSoC CREATOR™ IDE AND CY8CKIT-002 MINIPROG3

Step 1: Select the 5-pin connector setting in PSoC Creator or PSoC Programmer.

Step 2: Use 0.1" male headers (not included) or jumper wires to connect the MiniProg3 to the module.



Pin Mapping	
CY8CKIT-002	CY8CKIT-143A
VTARG	VDDD
GND	GND
RES	XRES
SCLK	P0_7
SDAT	P0_6

Fig-2: Programming and Debugging with CY8CKIT-002 MiniProg3

USING THE CY8CKIT-143A MODULE WITH CY8CKIT-042-BLE PIONEER KIT

Step 1: Plug the module on the CY8CKIT-042-BLE Pioneer Kit Baseboard.

Step 2: Create your design in PSoC Creator IDE and use the BLE Pioneer Kit to program and debug.

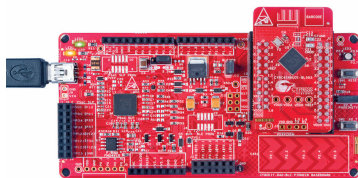


Fig-3: Programming and Debugging with CY8CKIT-042-BLE Pioneer Baseboard

The CY8CKIT-143A module is intended for development purposes only. Users are advised to test and evaluate this module in an RF development environment.

This module is not a finished product and when assembled may not be resold or otherwise marketed unless all required authorizations are first obtained.

Contact support@cypress.com for details.

For more information about this kit, visit www.cypress.com/CY8CKIT-143A

