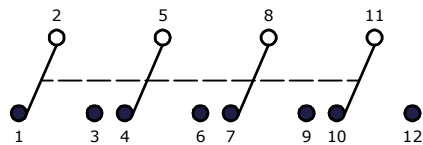


SWITCH FUNCTION		
POS. 1	POS. 2	POS. 3
ON	NONE	ON
2-3, 5-6, 8-9, 11-12	OPEN	2-1, 5-4, 8-7, 11-10

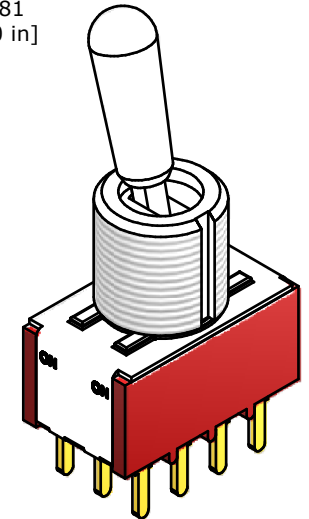
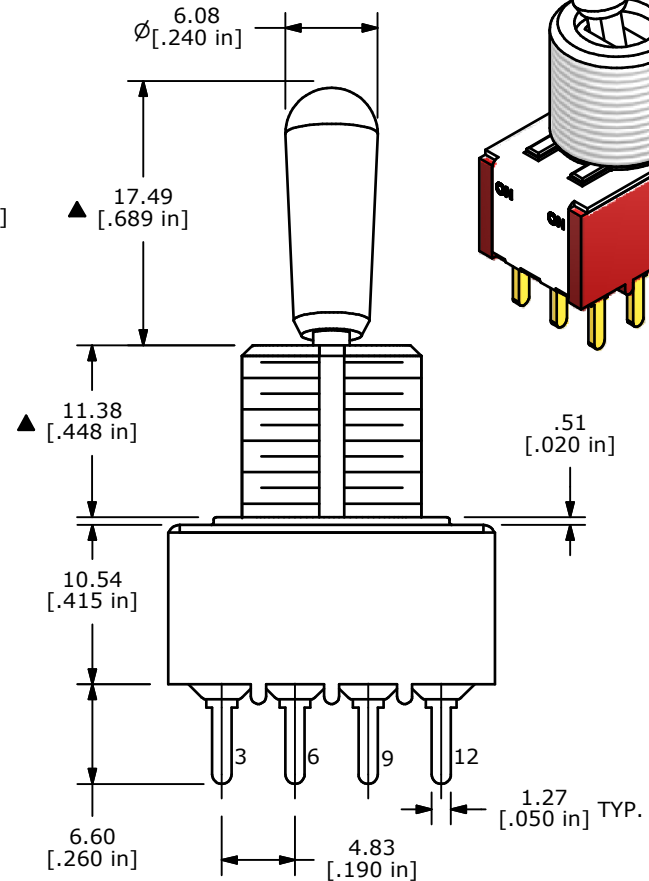
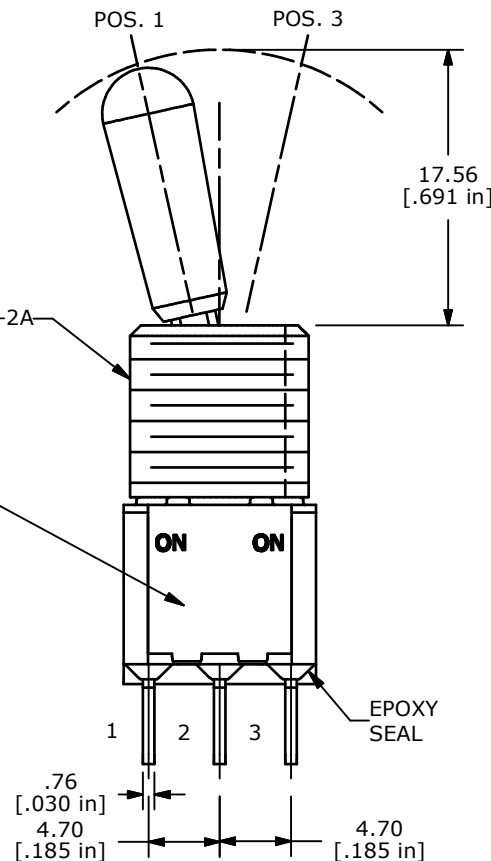


CIRCUIT: 4PDT

NOTE:

1. ALL DIMENSIONS IN MM [INCH]
2. GENERAL TOLERANCE: X.X=±0.4
X.XX=±0.25
3. TERMINAL NUMBERS FOR REF ONLY
- ▲ 4. PLATING MATERIAL: GOLD
5. RATING: 0.4VA @ 20VAC OR VDC MAX.
6. ELECTRIC LIFE: 40,000 make-and-break cycles at full load.
7. INSULATION RESISTANCE: 1,000 MΩ min.
8. DIELECTRIC STRENGTH: 1,000 V RMS @sea level.
9. OPERATING TEMP.: -30°C to 85°C
10. ▲ DENOTES CRITICAL PARAMETER.
11. 2002/95/EC (ROHS) COMPLIANCE

E-SWITCH MARKING ON OPPOSITE SIDE



A	18182	RELEASED FOR PRODUCTION	7/24/08	BLR
REV	PCR NO	DESCRIPTION	DATE	BY

TITLE 1004P1T8B13M2QE				
SCALE	DATE	DR	DWG	REV
2:1	3/9/2006	BLR	T112030	B

THE INFORMATION CONTAINED IN THIS DOCUMENT IS PROPRIETARY TO E-SWITCH AND IS NOT TO BE COPIED OR TRANSFERRED