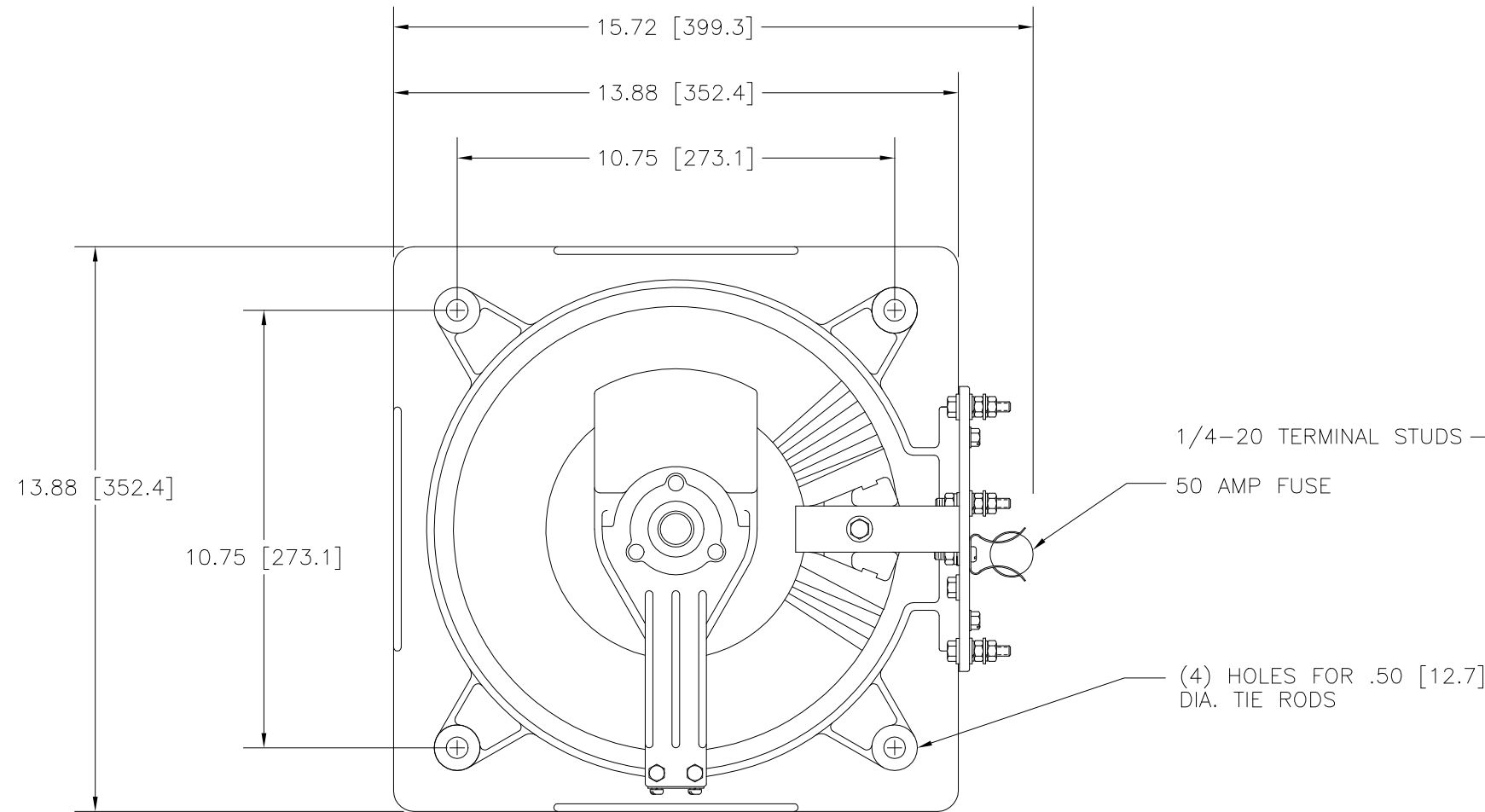
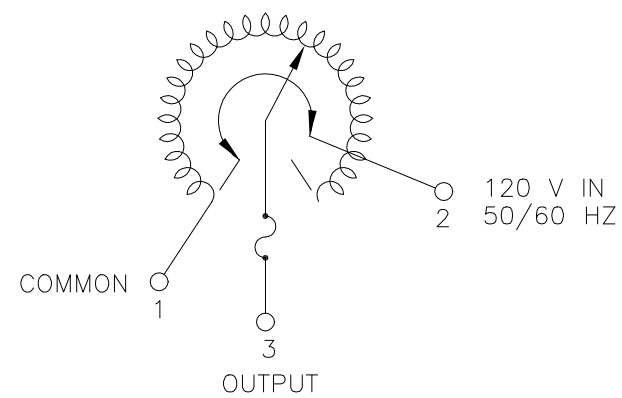
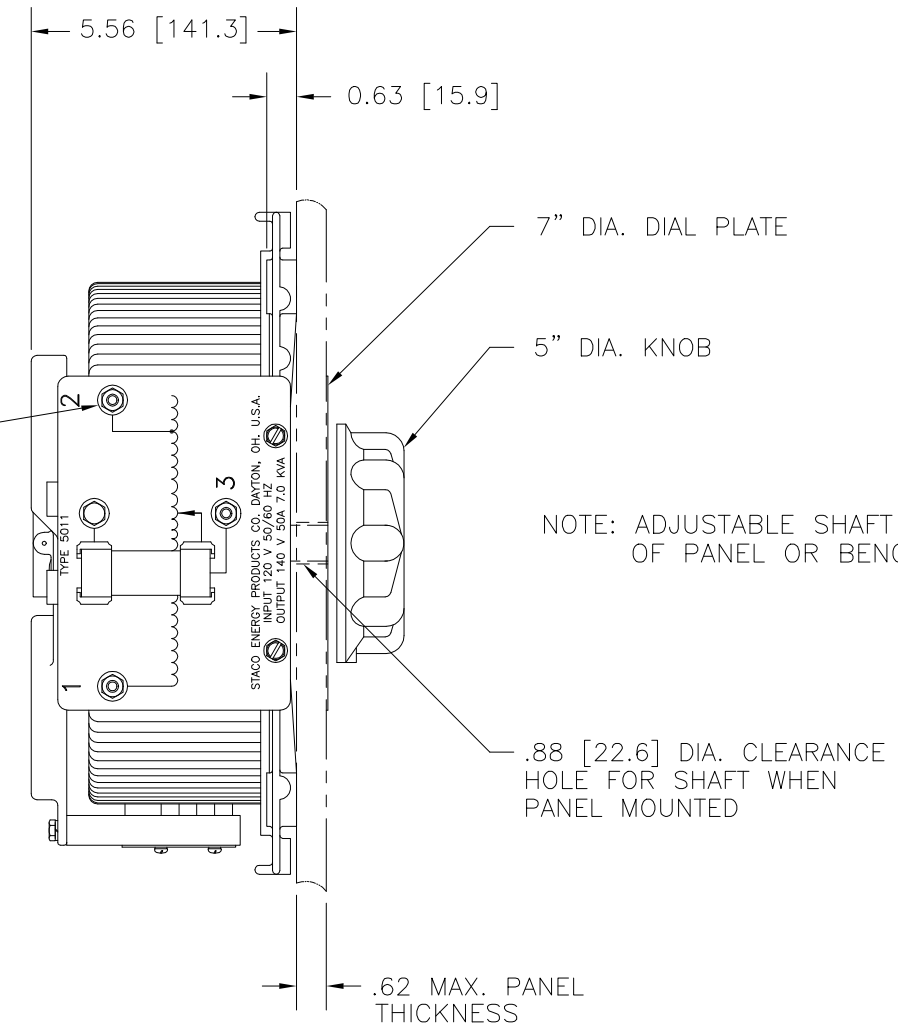


DWG. NO.	031-6001		
REVISIONS			
SYM.	E.C.N.	DATE	APVD.
A	23330	2/13/97	
REVISED & UPDATED			
B	24309	8/30/00	
REVISED & UPDATED			



1/4-20 TERMINAL STUDS
50 AMP FUSE
(4) HOLES FOR .50 [12.7] DIA. TIE RODS



SCHEMATIC
VIEW FROM ROTOR END

SPECIFICATIONS								
WIRING	INPUT		OUTPUT			SHAFT ROTATION TO INCREASE VOLTAGE	TERMINAL CONNECTIONS	
	VOLTS	HERTZ	VOLTS	CONSTANT CURRENT LOAD			FOR INCREASING VOLTAGE AS VIEWED FROM ROTOR END	
				MAX. AMPS	MAX. KVA		INPUT	OUTPUT
SINGLE PHASE	120	50/60	0-140	50	7.0	CW	1-2	1-3

UNLESS OTHERWISE SPECIFIED, TOLERANCE IS #	DECIMALS	Holes	ANGLES	DRAFT	UNITS	TITLE:
.XX	.005	.002	1°	1-1/2°	IN [mm]	SPEC. CONTROL DWG. VARIABLE TRANSFORMER TYPE: 5011
MATERIAL:	ALL DIMENSIONS APPLY AFTER PLATING					DO NOT SCALE DWG.
DRAWN BY		DATE	FIRST USED ON	DO NOT SCALE DWG.	CUSTOMER APPROVAL	DATE
TIM RAU		12/13/95				
CHECKER	DATE	WEIGHT APPROX.	CODE IDENT. NO.	DWG. SIZE	DWG. NO.	
			83008	D	031-6001	
ENGINEER		DATE	SCALE	SHEET 1 OF 1		
			.5=1			



The information and design disclosed herein was originated by and is the property of STACO ENERGY PRODUCTS CO., which reserves all patent, proprietary, design, manufacturing, reproduction, use and sale rights thereto, and to any article disclosed therein except to the extent rights are expressly granted to others. The foregoing does not apply to vendor proprietary parts.