

4

3

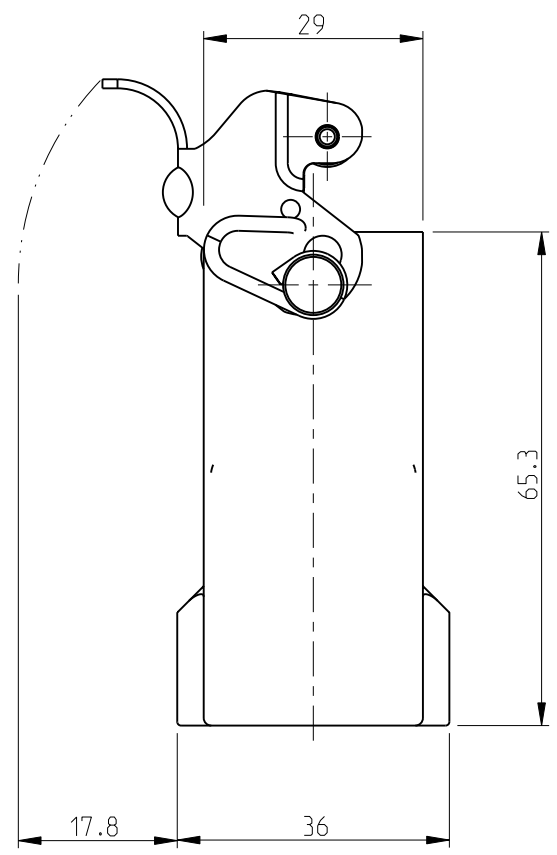
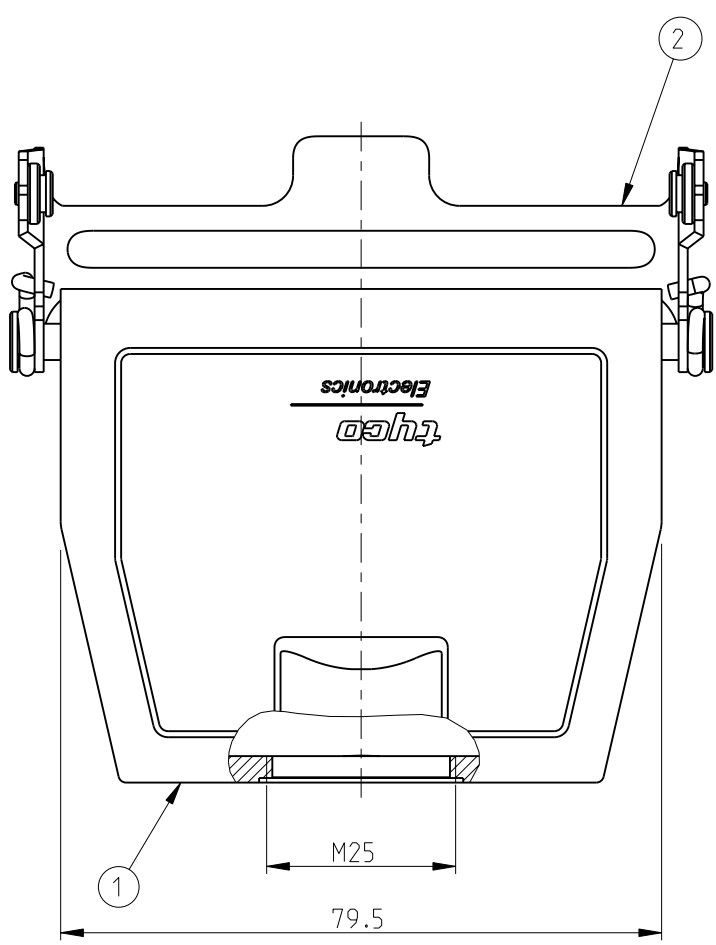
2

1

THIS DRAWING IS UNPUBLISHED. RELEASED FOR PUBLICATION 2000
 © COPYRIGHT 2000 BY TYCO ELECTRONICS CORPORATION. ALL RIGHTS RESERVED.

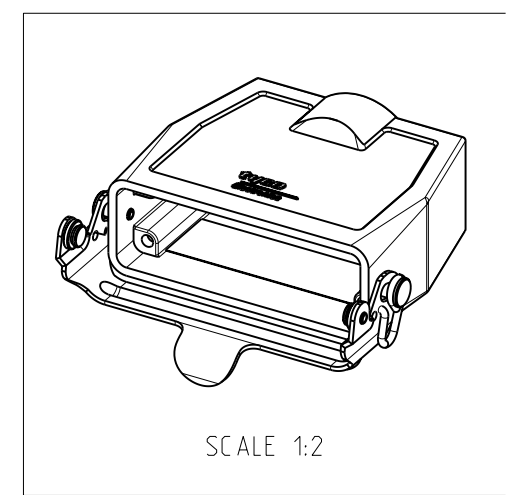
LOC	DIST	REVISIONS				
P	LTR	DESCRIPTION	DATE	DWN	APVD	
A1	-	B3	ECR-10-008207	22APR2010	VG	GW

PN 0-1 AS SHOWN



NOTES:

- 1 PACKAGING QUANTITY: 5 PIECES PER BOX
- 2 MATERIAL: SEE TABLE
- 3 SURFACE: SEE TABLE
- 4 VARNISH ON THE INSIDE NOT NECESSARY



QTY	DESCRIPTION	MATERIAL	SURFACE	COLOR	ITEM NO	REMARKS
1	-	CABLE TO CABLE HOOD	ALUMINIUM		3	WITHOUT LOGO
-	1	CABLE TO CABLE HOOD	ALUMINIUM		1	
1	1	CLIP	STEEL	ZINC PLATED	2	
0-3	0-1	DESCRIPTION	MATERIAL	SURFACE	COLOR	ITEM NO
HD.25.KDO-LB.1.M25.G						
HD.25.KD-LB-N						

THIS DRAWING IS A CONTROLLED DOCUMENT FOR TYCO ELECTRONICS CORPORATION IT IS SUBJECT TO CHANGE AND THE CONTROLLING ENGINEERING ORGANIZATION SHOULD BE CONTACTED FOR THE LATEST REVISION.		DWN S.KUMAR 4/27/2006 CHK P.BENNUR 4/27/2006 APVD T.SCHNURPFEL 4/27/2006	Tyco Electronics Tyco Electronics.AMP.GmbH 53757.SanktAugustin.Germany
DIMENSIONS: mm 	TOLERANCES UNLESS OTHERWISE SPECIFIED: n-ISO 8015 n-ISO 2768-mH-E n-DIN 16901-120 0 PLC ± 1 PLC ± 2 PLC ± 3 PLC ± 4 PLC ± ANGLES ±	PRODUCT SPEC - APPLICATION SPEC - WEIGHT -	NAME CABLE TO CABLE HOOD HD.25.KDO-LB.1.M25.G
MATERIAL	FINISH	SIZE	RESTRICTED TO
2	3	A3 00779 C=1106440	-
CUSTOMER DRAWING		SCALE 1:1	SHEET 1 OF 1 REV B3