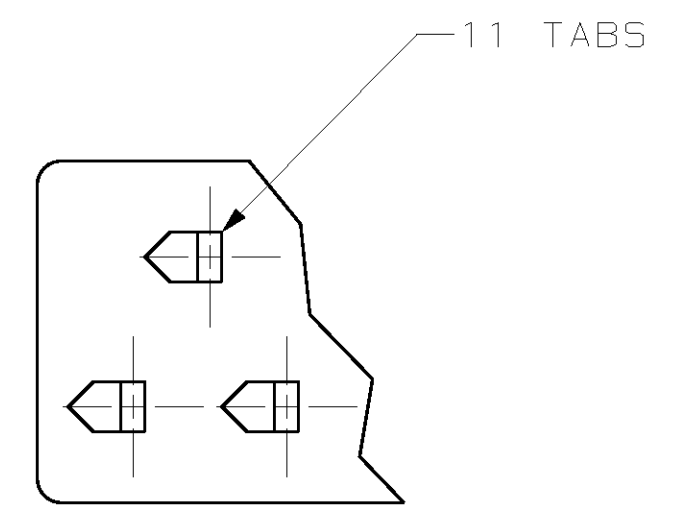
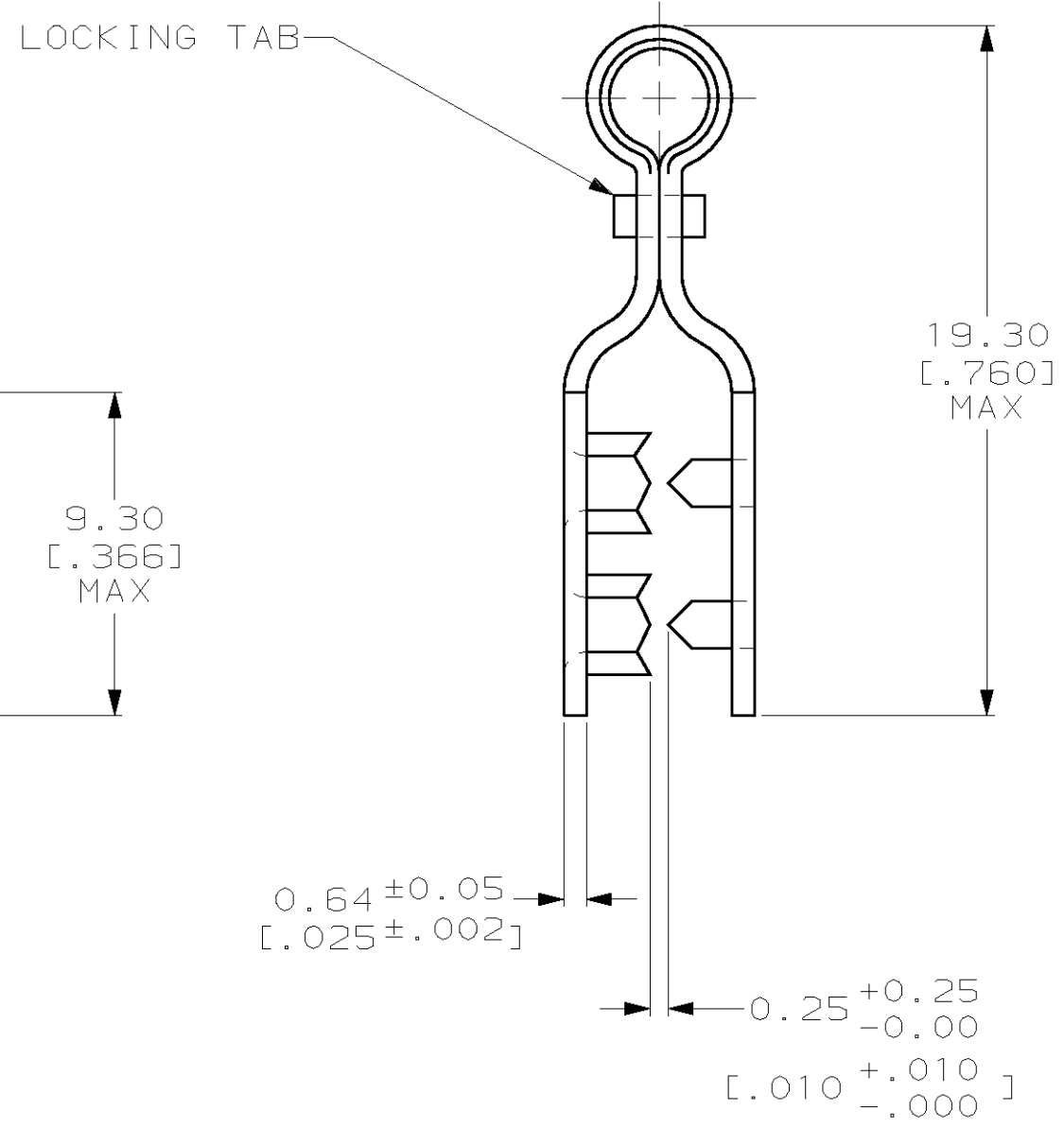
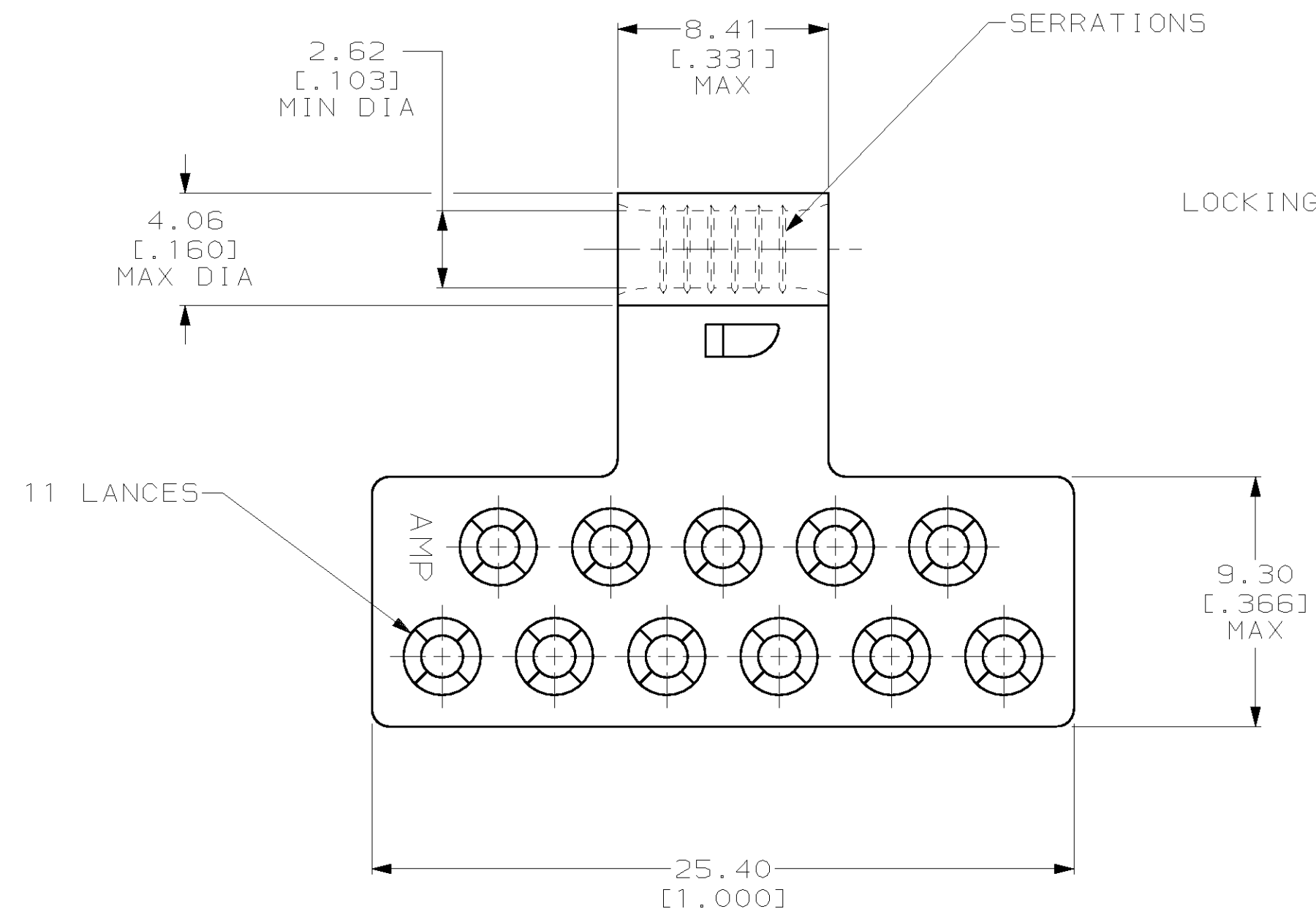


THIS DRAWING IS UNPUBLISHED. RELEASED FOR PUBLICATION  
 (C) COPYRIGHT 19 BY AMP INCORPORATED. ALL RIGHTS RESERVED.

LOC		DIST		REVISIONS			
P	LTR	DESCRIPTION	DATE	DWN	APVD		
G	86	F	REVISED PER 0L20-0217-97	02DEC97	DKS	MJS	

1 0.76 [ .030 ] MAX ALUMINUM FOIL THK



53264-2  
AMP  
PART NUMBER

<b>AMP INCORPORATED</b> <b>CUSTOMER SERVICE SYSTEMS</b>			THIS DRAWING IS A CONTROLLED DOCUMENT.		DWN DK SCHRUM 02DEC97	AMP Incorporated Harrisburg, PA 17105-3608
			DIMENSIONS: mm [INCHES]	TOLERANCES UNLESS OTHERWISE SPECIFIED:	CHK MJ SPICER 03DEC97	
FOR ADDITIONAL PRODUCT INFORMATION OR COPIES OF DRAWINGS AND TECHNICAL DOCUMENTS	PRODUCT INFORMATION CENTER 1-800-522-6752	RECOMMENDED OPERATING TEMPERATURE: 150°C MAX	APVD JL MECKLEY 03DEC97	NAME	W/ BARREL, TAP, DOUBLE FACE, TERMI-FOIL™, WIRE SIZE: 18-12 AWG	
FOR APPLICATION TOOLING INFORMATION	TOOLING ASSISTANCE CENTER 1-800-722-1111	VOLTAGE RATING: NOT APPLICABLE	PRODUCT SPEC	APPLICATION SPEC	SIZE	A2
FOR ORDER ENTRY	1-800-526-5142	WIRE CROSS SECTIONAL AREA RANGE: 1.65-2.62mm² [3,260-5,180] CIR MILS SOLID OR STRANDED	MATERIAL COPPER PER ASTM B-152 ANNEALED	FINISH TIN PLATE 0.00254 [ .0001003 ] MIN THK PER ASTM B-545	WEIGHT	-
			CUSTOMER DRAWING		SCALE	5:1
					SHEET	1 OF 1
					REV	F

53264