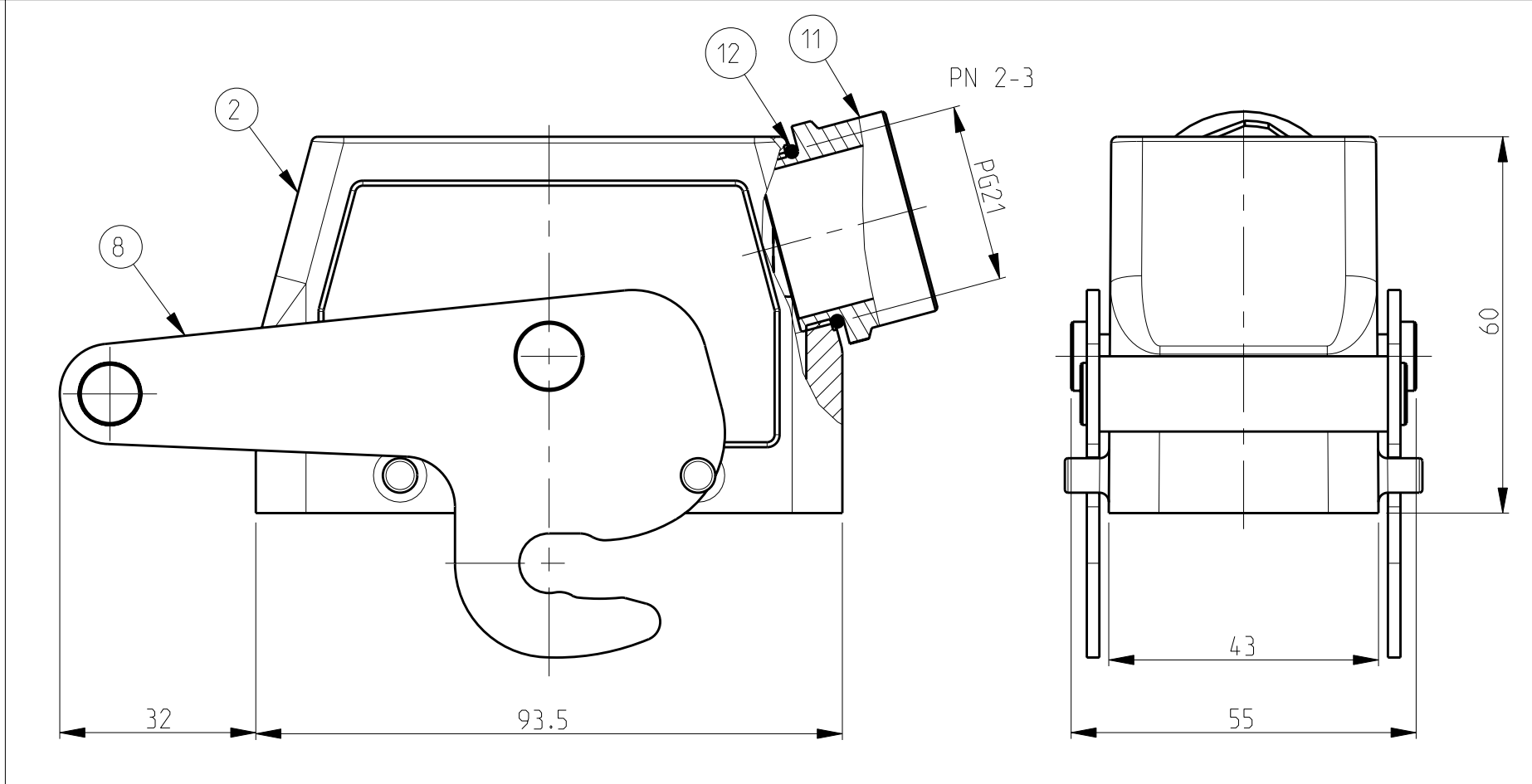
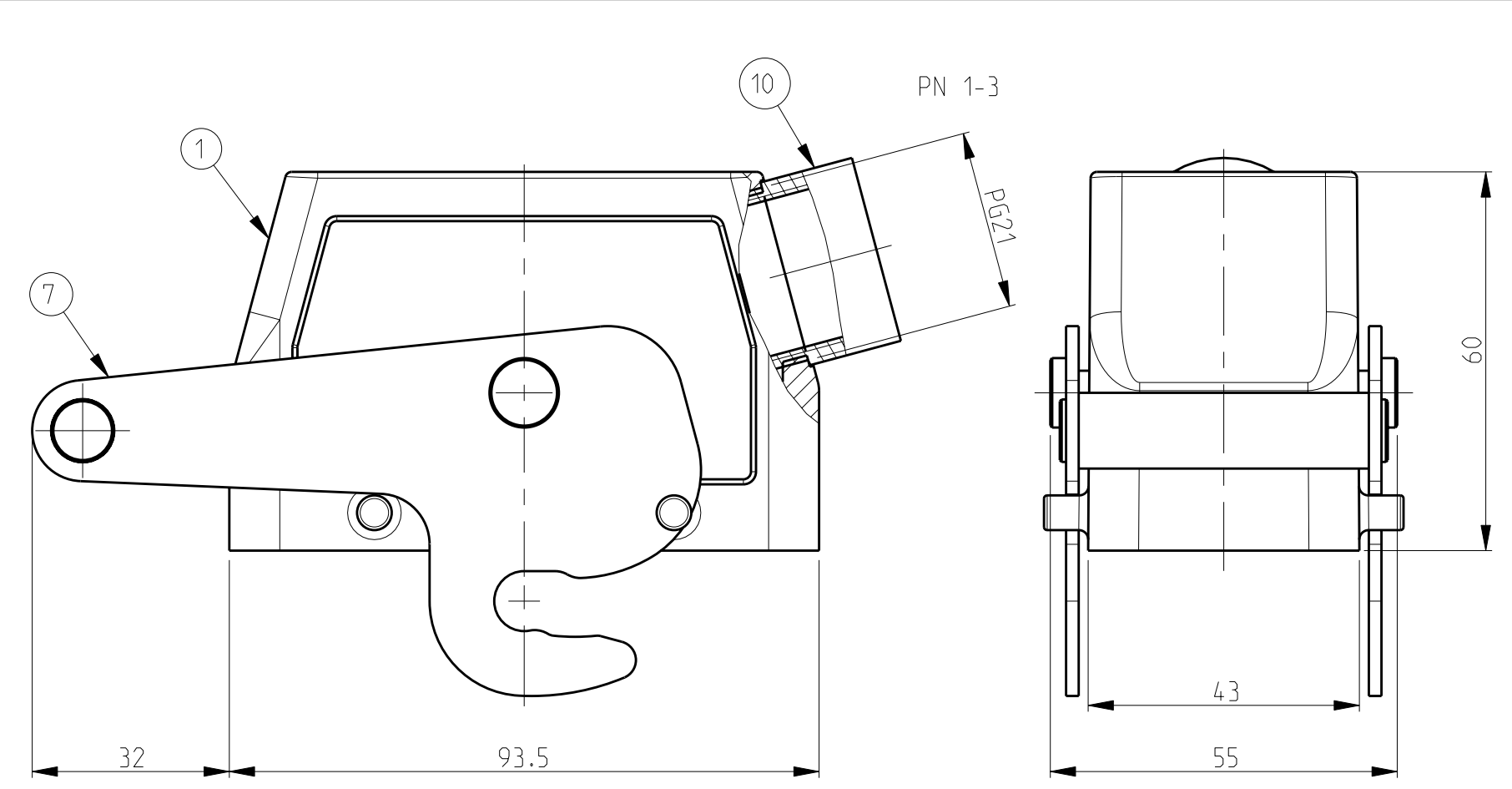
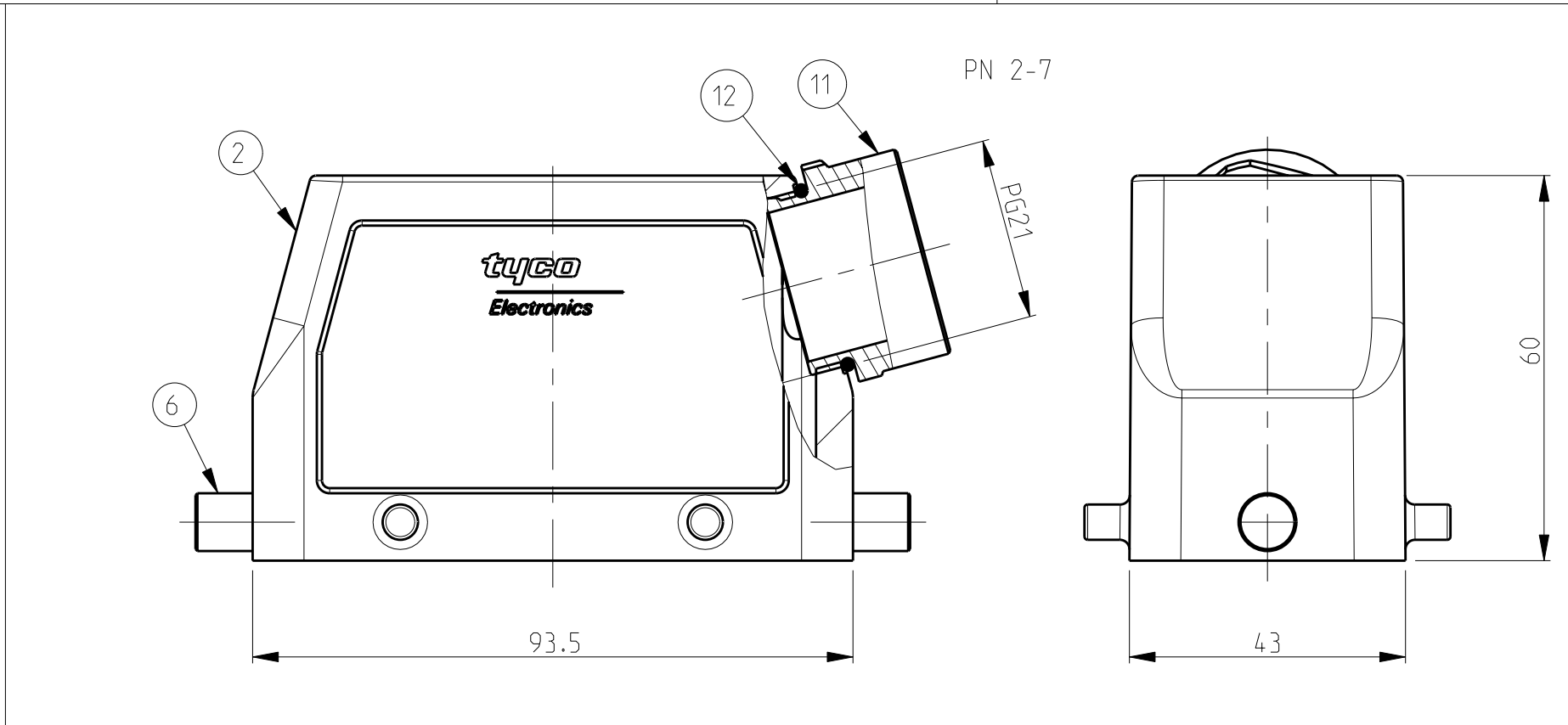
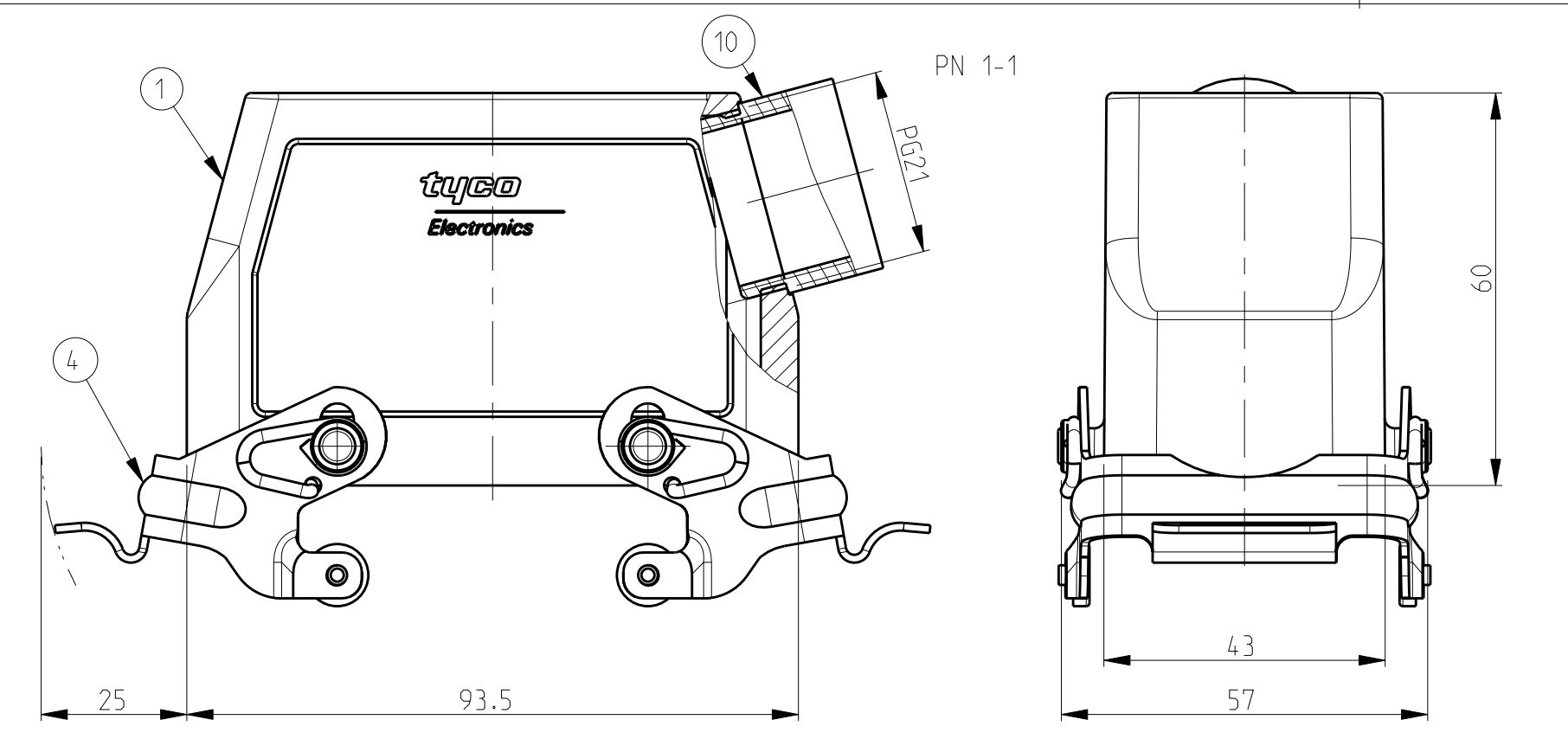
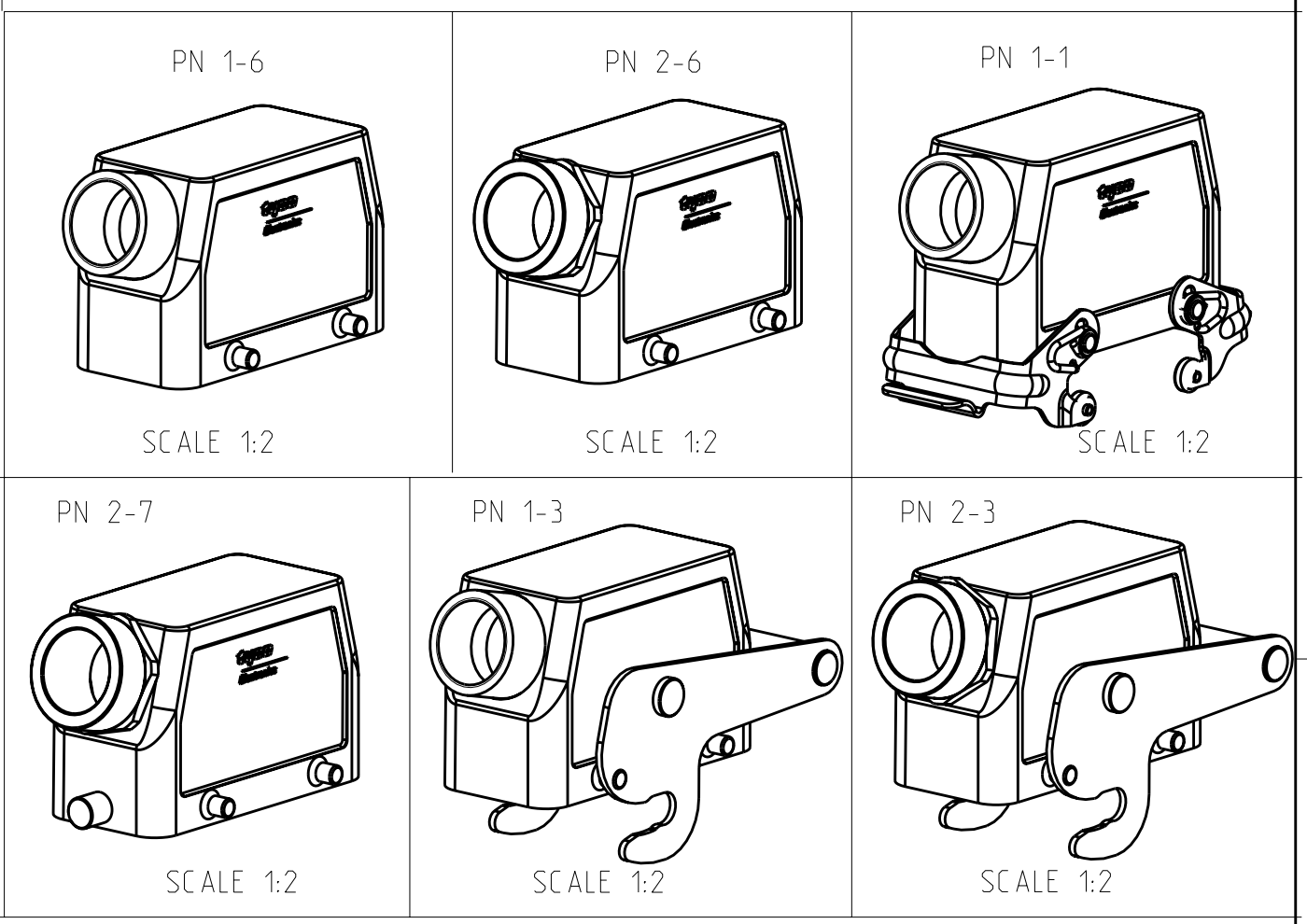
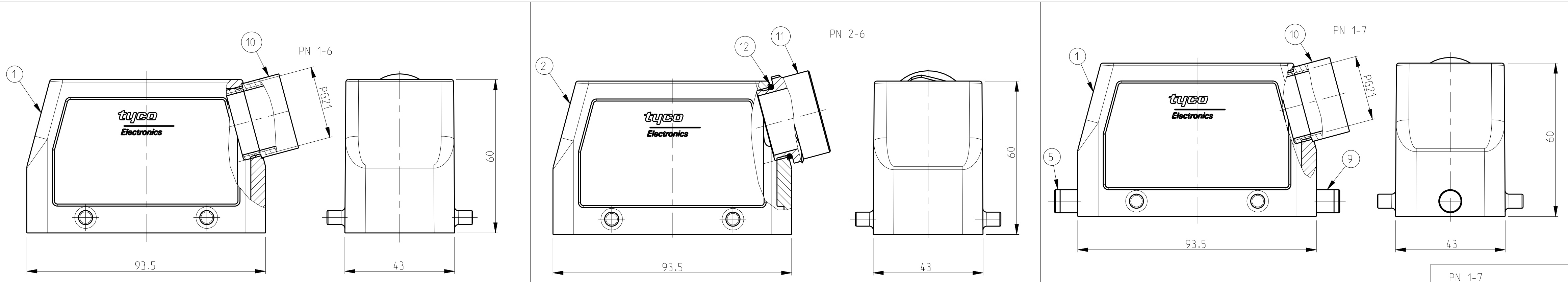


LOC	DIST	REVISIONS			
P	LTB	DESCRIPTION	DATE	DWN	APVD
A3		Released as per ECR-08-011918	12.May.2008	SP	TS

- NOTES
- 1 Material: Housing: aluminium diecasting alloy
  - 2 Surface:- -Powder varnish grey  
-Aluminium oxide+  
-Varnish black
  - 3 Varnish on the inside not necessary
  - 4 Packaging  
Packaging quantity 5 pieces in a box



QTY	QTY	QTY	QTY	DESCRIPTION	MATERIAL	SURFACE	COLOR	ITEM NO	NOTES
1	1	1	1	O-Ring Pg21	Neoprene		Black	12	-
1	1	1	1	6-Kt Adapter PG21	Brass	Nickel plated		11	-
1	1	1	1	Adapter PG21	Brass	Nickel plated		10	-
1	2	2	2	Slide spool HB	Steel	Zinc plated	Blue	9	-
1				Clip fixing-ZB	Stainless steel			8	-
1				Clip fixing-ZB	Steel	Zinc plated	Blue	7	-
1	2			LB-Clip bolt	Stainless steel			6	-
	2			LB-Clip bolt	Steel	Zinc plated	Blue	5	-
	2			VS-Locking clip	Steel	Zinc plated	Blue	4	-
				VS-Clip bolt	Stainless steel			3	-
1	1	1	1	Hood HB.16.Pg.1.21	Aluminium	Aluminium oxide	Black	2	-
1	1	1	1	Hood HB.16.Pg.1.21	Aluminium		Grey	1	-
2-3	1-32	7-1	1-12-6	DESCRIPTION	MATERIAL	SURFACE	COLOR	ITEM NO	NOTES
				DESCRIPTION					
				HB.16.STS.1.21.Z					
				HB-K.16.STS.1.21.Z					
				HB.16.STS-VS.1.21.Z					
				HB.16.STS-GR.1.21.Z					
				HB-K.16.STS-GR.1.21.Z					
				HB-Z.16.STS-ZB.1.21.Z					
				HB-K.V.Z.16.STS-ZB.1.21.Z					

DIMENSIONS: mm		TOLERANCES UNLESS OTHERWISE SPECIFIED:		DWN: 30.04.02		Schneider		Tyco Electronics		Tyco Electronics, AMP, GmbH	
MATERIAL		FINISH		CHK: 30.04.02		Schweiger		NAME: Hood		0-53819, Neunkirchen, Germany	
PRODUCT SPEC: 108-74.001		APPLICATION SPEC: 114-74.004		WEIGHT		SCALE: 1:1		SHEET: 1 OF 1		REV: A3	
CUSTOMER DRAWING		SCALE: 1:1		SHEET: 1 OF 1		REV: A3		RESTRICTED TO			