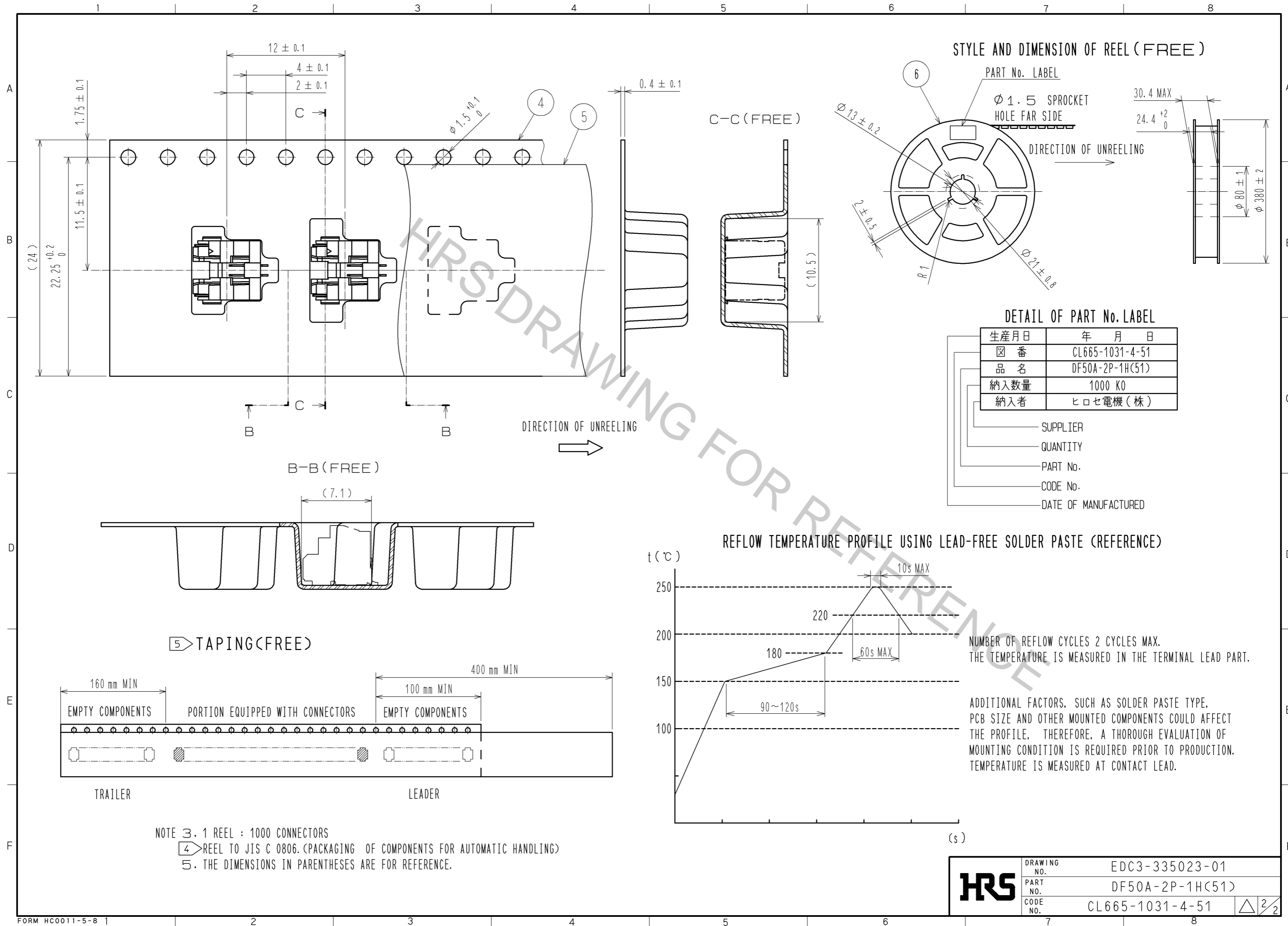
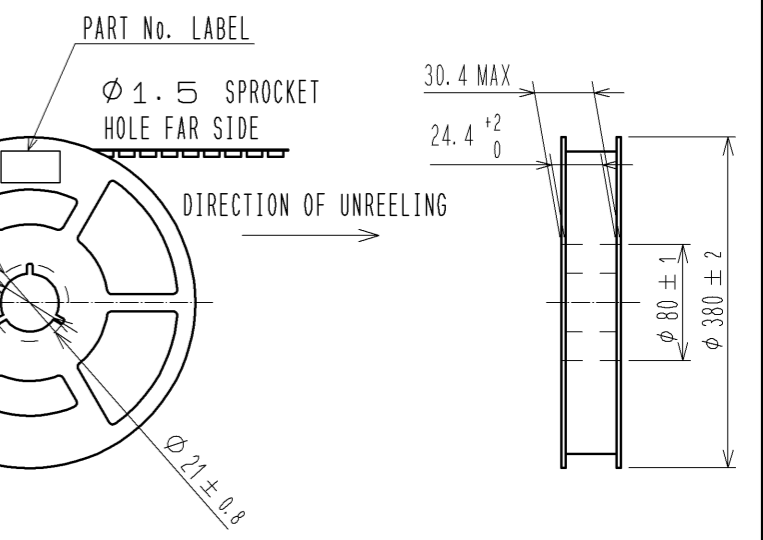


| | | | | | |
|-----|----------|---|-----|-----------|--------------|
| 3 | BRASS | CONTACT AREA : Sn PLATING 1μm MIN UNDER PLATING : Cu PLATING 0.3μm MIN | 6 | PS | REEL , BLACK |
| 2 | BRASS | CONTACT AREA : Au PLATING 0.05μm MIN LEAD AREA : Au PLATING 0.05μm MIN UNDER PLATING : Ni PLATING 1μm MIN | 5 | POLYESTER | CLEAR |
| 1 | LCP | BLACK , UL94V-0 | 4 | PS | CLEAR |
| NO. | MATERIAL | FINISH , REMARKS | NO. | MATERIAL | CLEAR |

| | | | | | | |
|------------------------|-------|-------|--------------------------|----------------------------|---------|------|
| UNITS | SCALE | COUNT | DESCRIPTION OF REVISIONS | DESIGNED | CHECKED | DATE |
| mm | 5 : 1 | △ | | | | |
| APPROVED : KI. AKIYAMA | | | 12.07.02 | DRAWING NO. EDC3-335023-01 | | |
| CHECED : HK. UMEHARA | | | 12.07.02 | PART NO. DF50A-2P-1H(51) | | |
| DESIGNED : ST. SATO | | | 12.06.29 | CODE NO. CL665-1031-4-51 | | |
| DRAWN : MI. SAKIMURA | | | 12.06.27 | △ 1/2 | | |



STYLE AND DIMENSION OF REEL (FREE)

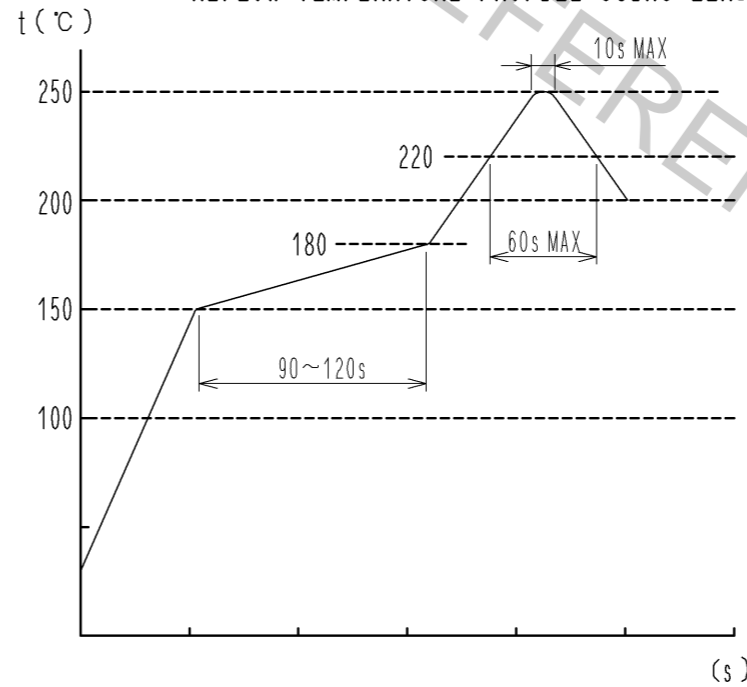


DETAIL OF PART No. LABEL

| | |
|------|-----------------|
| 生産月日 | 年 月 日 |
| 図 番 | CL665-1031-4-51 |
| 品 名 | DF50A-2P-1H(51) |
| 納入数量 | 1000 KO |
| 納入者 | ヒロセ電機(株) |

- SUPPLIER
- QUANTITY
- PART No.
- CODE No.
- DATE OF MANUFACTURED

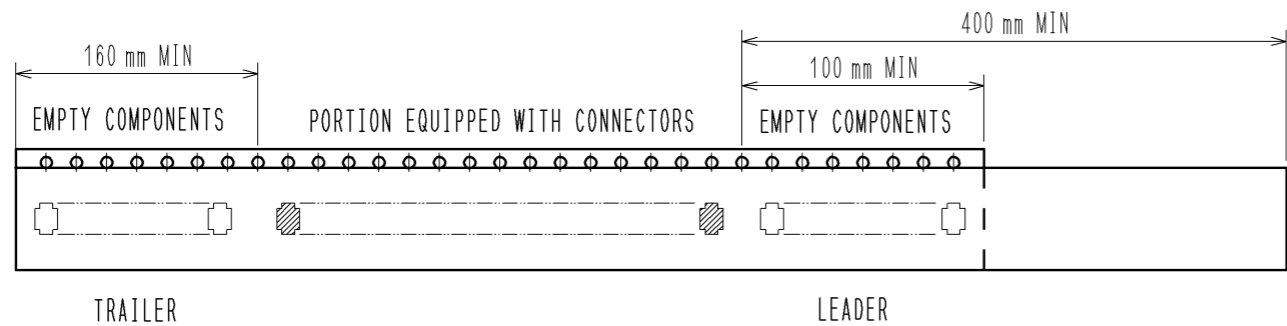
REFLOW TEMPERATURE PROFILE USING LEAD-FREE SOLDER PASTE (REFERENCE)



NUMBER OF REFLOW CYCLES 2 CYCLES MAX.
THE TEMPERATURE IS MEASURED IN THE TERMINAL LEAD PART.

ADDITIONAL FACTORS, SUCH AS SOLDER PASTE TYPE, PCB SIZE AND OTHER MOUNTED COMPONENTS COULD AFFECT THE PROFILE. THEREFORE, A THOROUGH EVALUATION OF MOUNTING CONDITION IS REQUIRED PRIOR TO PRODUCTION. TEMPERATURE IS MEASURED AT CONTACT LEAD.

5 TAPING (FREE)



- NOTE 3. 1 REEL : 1000 CONNECTORS
 4 REEL TO JIS C 0806. (PACKAGING OF COMPONENTS FOR AUTOMATIC HANDLING)
 5. THE DIMENSIONS IN PARENTHESES ARE FOR REFERENCE.

| | | |
|------------|-------------|-----------------|
| HRS | DRAWING NO. | EDC3-335023-01 |
| | PART NO. | DF50A-2P-1H(51) |
| | CODE NO. | CL665-1031-4-51 |
| | | △ 2/2 |