

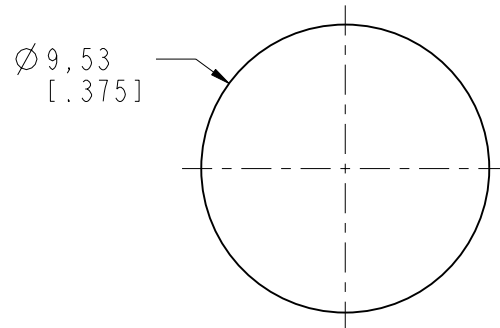
NOTES:

1. MATERIALS AND FINISHES:  
 BODY - BRASS, NICKEL PLATING  
 CONTACT - BERYLLIUM COPPER, SILVER PLATING  
 INSULATOR - PTFE, NATURAL
2. ELECTRICAL:  
 A. IMPEDANCE: 50 OHM  
 B. FREQUENCY RANGE: DC - 4 GHz  
 C. DIELECTRIC WITHSTANDING VOLTAGE: 1500 VRMS, MIN.
3. MECHANICAL:  
 A. DURABILITY: 500 CYCLES MIN.  
 B. TEMPERATURE RANGE: -65° C TO +165° C
4. CUSTOMER NOTE: SOLDER CONTACT TO CABLE

THIRD ANGLE PROJ.

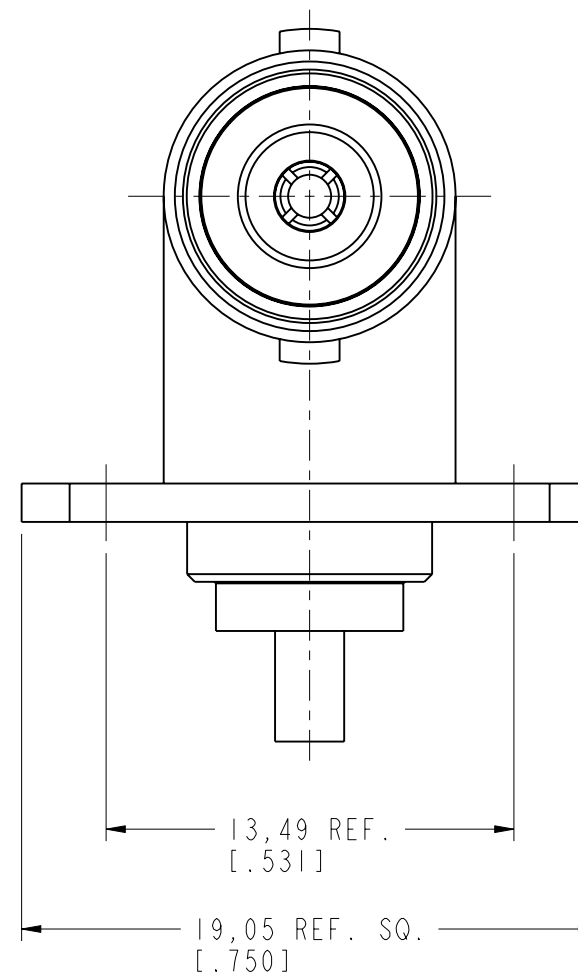
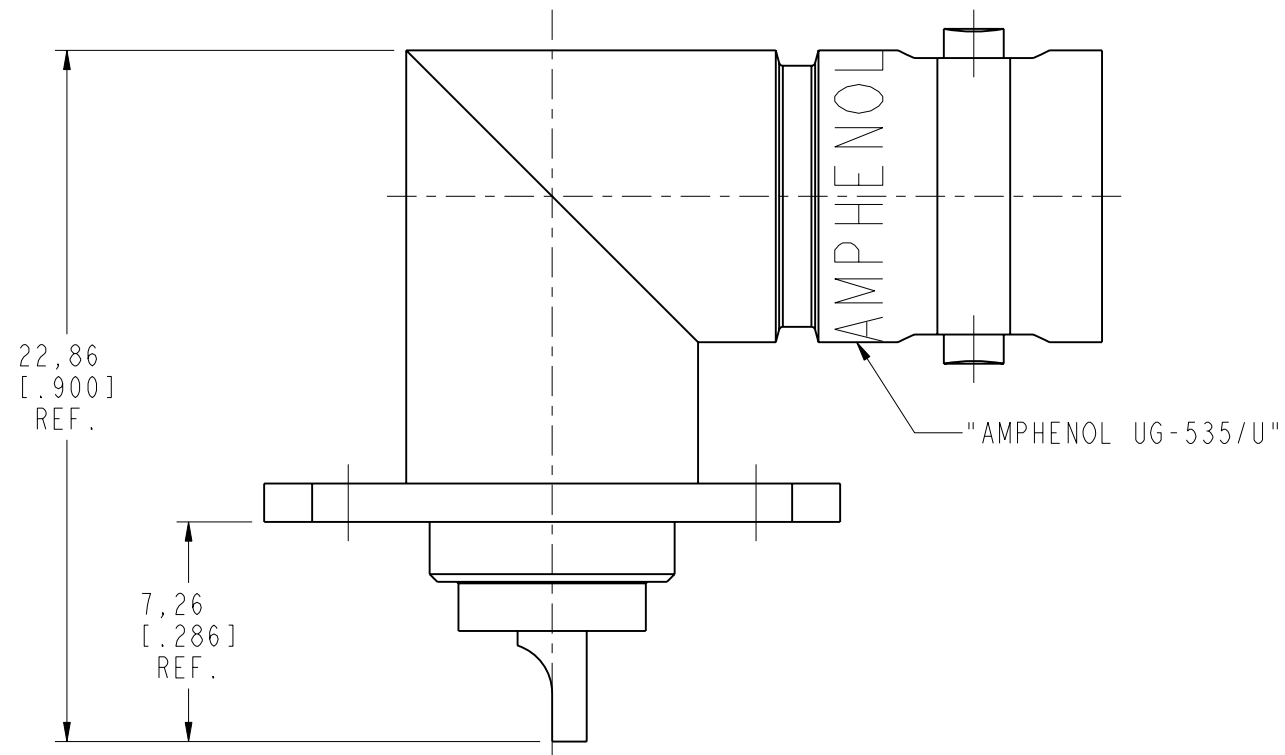
REVISIONS

REV	DESCRIPTION	DATE	ECO	APPR
	OFFICIAL ENG.RELEASE TO MFG.			
T	ADD SHEET 2	26-Oct-12	49077	DH

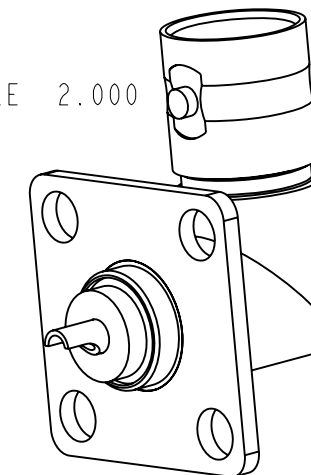


RECOMMENDED PANEL HOLE

SCALE 4.000



SCALE 2.000



**CUSTOMER OUTLINE DRAWING**

ALL OTHER SHEETS ARE FOR INTERNAL USE ONLY

UNLESS OTHERWISE SPECIFIED, DIMENSIONS ARE IN METRIC AND TOLERANCES ARE: <0.5mm ±0.05mm    0.5 - 6mm ±0.1mm    6 - 30mm ±0.2mm    30 - 120mm ±0.3mm    ANGLES ±1°	MATERIAL	DRAWN R. MAO	DATE 27-Jun-12	TITLE TYPE BNC ANGLE RECEPTACLE UG-535/U	Amphenol RF www.amphenolrf.com
	REFERENCE	ENGINEER D. ROYCE	DATE 8-1-91		
	CONFIGURATION LEVEL:	APPROVED S. HSIEH	DATE 27-Jun-12	SCALE: 4.0:1.0    SHEET 2 OF 2	DRAWING NO. 5675
	FINISH	CAD FILE		DWG SIZE B    REV T	ITEM NO. 5675 PART NO. 5675