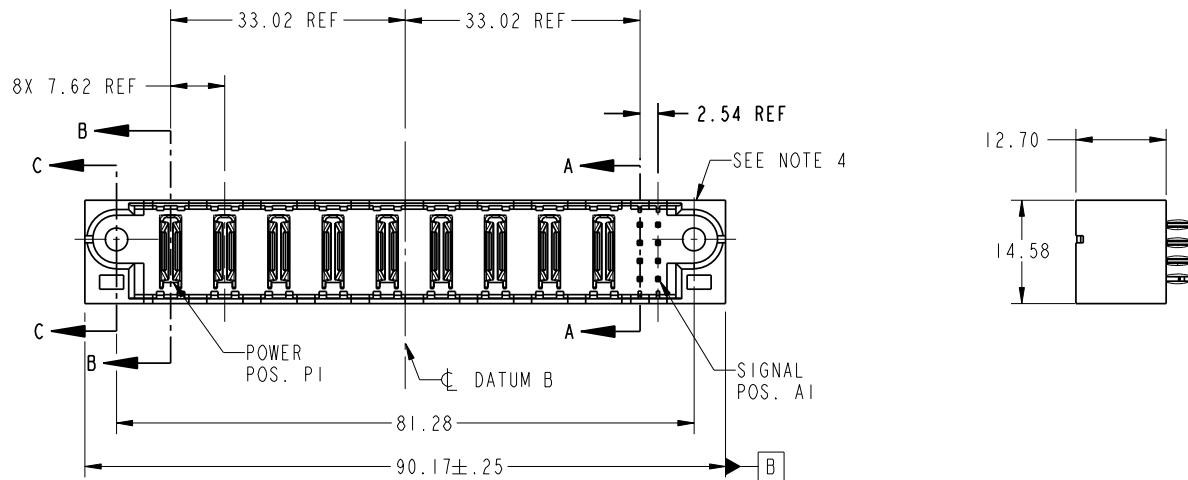


Tous droits strictement reserves. Reproduction ou communication a des tiers interdite sous quelque forme que ce soit sans autorisation écrite du propriétaire. Propriete de c FCI. Droits de reproduction FCI.



All rights strictly reserved. Reproduction or issue to third parties in any form whatever is not permitted without written authority from the proprietor. Property of FCI. Copyright FCI.

PRODUCT NO.	ROWS	POWER									SIGNAL			
		E1	P1	P2	P3	P4	P5	P6	P7	P8	P9	1	2	E2
51952-110-- NOTE ③	0 UBA													



CODE	DIM "M" MATING LENGTH	CONTACT TYPE
PC	[N/A]	POWER
G	[6.86]	SIGNAL
HA	[N/A]	HOLD-DOWN

mat'l code				tolerances unless otherwise specified		CUSTOMER		
lfr	ecn no.	dr	date	linear	0.X ± 0.3	COPY	www.fciconnect.com	
A	DG06-0561	SW	12/26/06		0.XX ± 0.13	projection	title	
B	DG07-0261	JMG	06/25/07		0.XXX ± 0.051		9ACP + 8S VERTICAL PF HEADER	
C	DG07-0357	JULIA	09/10/07	angles	0° ± 2°		product family	PwrBlade
				dr	STEVEN WANG 12/26/06	MM	size	code
				enrg	STEVEN WANG 12/26/06	1:1	dwg no	213
				chr	BEER FU 12/26/06		51952-110	sheet
				appd	JOSEPH HSIA 12/26/06			1 of 4
sheet index	revision	C	C	C	C			
	sheet	1	2	3	4			

cage code 22526

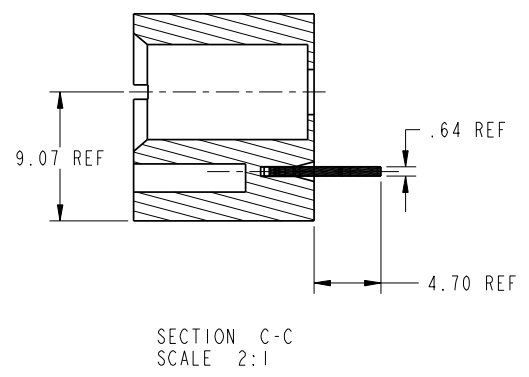
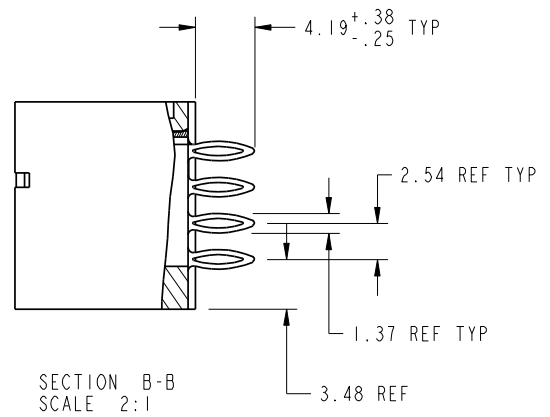
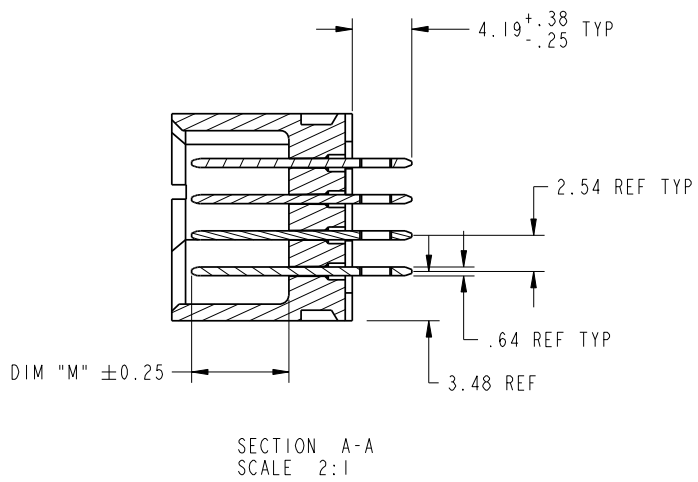
Pro/E

Tous droits strictement reserves. Reproduction ou communication a des tiers interdite sous quelque forme que ce soit sans autorisation ecrite du proprietaire. Propriete de c FCI. Droits de reproduction FCI.



All rights strictly reserved. Reproduction or issue to third parties in any form whatever is not permitted without written authority from the proprietor. Property of FCI. Copyright FCI.

PRODUCT NUMBER
51952-110--
NOTE 3



mat'l code				tolerances unless otherwise specified		CUSTOMER	FCI	
lfr	ecn no.	dr	date	linear	0.X ±0.3	COPY	www.fciconnect.com	
c				linear	0.XX ±0.13	projection	title	
				angles	0.XXX ±0.051		9ACP + 8S VERTICAL PF HEADER	
				dr	0° ±2°		product family	PwrBlade
				enrg	STEVEN WANG 12/26/06	scale	size	dwg no
				chr	BEER FU 12/26/06	1:1	A	51952-110
				appd	JOSEPH HSIA 12/26/06			code
sheet index	revision sheet							213
								sheet
								2 of 4

cage code 22526

Pro/E

Tous droits strictement réservés. Reproduction ou communication a des tiers interdite sous quelque forme que ce soit sans autorisation écrite du propriétaire. Propriété de c FCI. Droits de reproduction FCI.



All rights strictly reserved. Reproduction or issue to third parties in any form whatever is not permitted without written authority from the proprietor. Property of FCI. Copyright FCI.

PRODUCT NUMBER
51952-110__
NOTE 3

NOTES:

1. DIMENSIONS AND TOLERANCES ARE IN ACCORDANCE WITH ASME Y14.5M, 1994 UNLESS OTHERWISE SPECIFIED.

CONNECTOR NOTES:

2 HOUSING MATERIAL: UL 94 V-0 GLASS FILLED
HIGH-TEMP THERMOPLASTIC
POWER CONTACT MATERIAL: COPPER ALLOY
SIGNAL PIN MATERIAL: COPPER ALLOY

3. PLATING:
51952-110 ,51952-110LF PLATING SPEC. WAS SHOWN IN THE PRINT OF 10064183.

4 MANUFACTURER'S NAME, P/N, AND DATE CODE TO APPEAR ON THIS SURFACE.

5. PRODUCT SPECIFICATION GS-12-149.
APPLICATION SPECIFICATION BUS-20-067.

6. PACKAGED IN TRAYS.

PCB NOTES:

7. ALL HOLE DIAMETERS ARE FINISHED HOLE SIZE.

8. MOUNTING HOLES, WHERE APPLICABLE, ARE UNPLATED.

9 $\varnothing 1.151 \pm 0.025$ DRILLED HOLES PLATED WITH
0.008 MIN SnPb OR Sn OVER .001 [0.03]
TO 0.08 Cu PLATING TO ACHIEVE
 $\varnothing 1.02 \pm .07$ HOLE.

10 "DIM XXX" TO BE DETERMINED BY THE CUSTOMER.

11 CONNECTOR KEEP-OUT ZONE.

12. FOR PRESS FIT APPLICATION USE FCI CAM TOOL 430169-XXX.

mat'l code				tolerances unless otherwise specified			CUSTOMER		FCI	
lfr	ecn no.	dr	date	linear	0.X ±0.3		COPY		www.fciconnect.com	
C				linear	0.XX ±0.13		projection		title	
				angles	0° ±2°				9ACP + 8S VERTICAL PF HEADER	
				dr	STEVEN WANG	12/26/06	MM		product family	PwrBlade
				enrg	STEVEN WANG	12/26/06	scale		size	code
				chr	BEER FU	12/26/06	1:1		dwg no	213
				appd	JOSEPH HSIA	12/26/06			51952-110	sheet
sheet index	revision sheet									4 of 4



product family PwrBlade
size A
dwg no 51952-110
code 213
sheet 4 of 4

cage code 22526

Pro/E