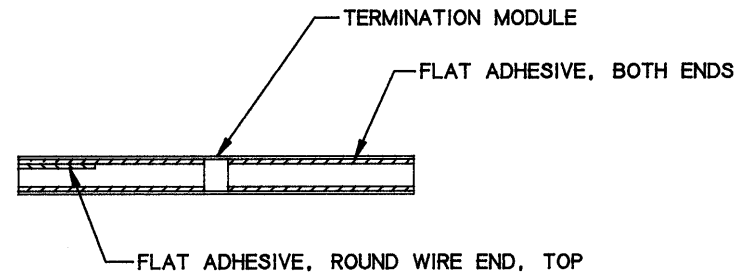
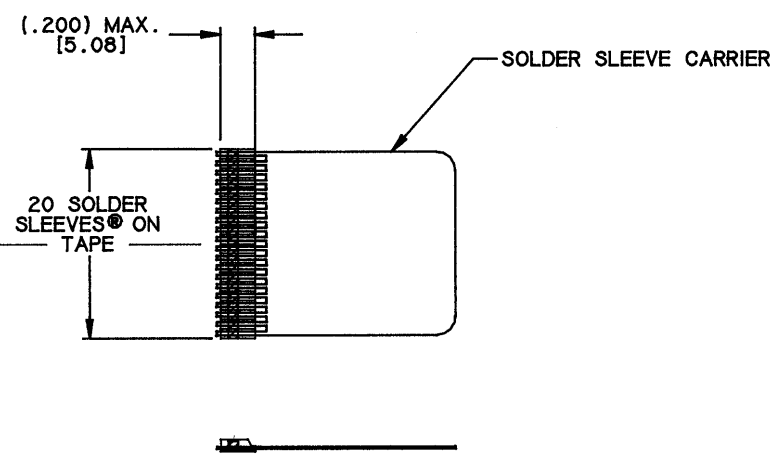
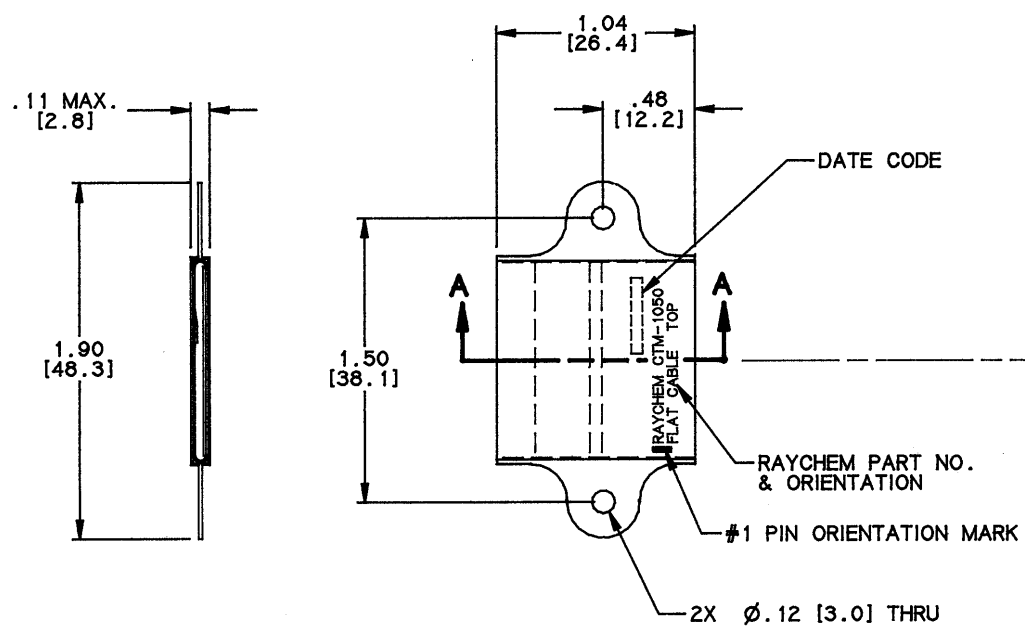


REVISIONS			
LTR	DESCRIPTION	DATE	APPROVED
N/C	INITIAL RELEASE PER ECN T-15778	91FEB19	AN
A	REVISED PER ECN T-16116	4-24-91	AN



SECTION A-A
SCALE: 4X

If this document is printed it becomes uncontrolled.
Check with the web for latest revision.

NOTES: UNLESS OTHERWISE SPECIFIED

- MATERIAL:**
 - A) TERMINATION MODULE: TRANSPARENT BLUE HEAT SHRINKABLE, RADIATION CROSS-LINKED PVF₂
 - B) FLAT ADHESIVE: MODIFIED THERMOPLASTIC HOT MELT SEALANT.
 - C) SOLDER SLEEVES®: TRANSPARENT BLUE HEAT SHRINKABLE, RADIATION CROSS-LINKED PVF₂ (SEE RAYCHEM DRAWING NO. D-141-0226)
SOLDER Sn96Ag04 WITH RMA FLUX PER QQ-S-571.
- USABLE WIRE SIZE:** ROUND WIRE: 24 AWG, FLAT CONDUCTOR CABLE: 28 GA.
- DIELECTRIC WITHSTANDING VOLTAGE:**

TEXT CONDITION	TEXT VOLTAGE VAC RMS AT 60HZ
SEA LEVEL	750
ALTITUDE 70,000 FT (33.5) TORR) AMBIENT TEMP	500
ALTITUDE 80,000 FT (20.6 TORR) -50°C TEMP	375

4. CURRENT RATING: 1.5 AMPS PER CONDUCTOR.

UNLESS OTHERWISE SPECIFIED
DIMENSIONS ARE IN INCHES.
METRIC DIMENSIONS ARE
IN BRACKETS.

DECIMALS
.XXX ± .005 [.13 mm]
.XX ± .03 [.8 mm]

ANGLES
.X ±

WEIGHT
lbs [g]

DRAWN	MGHOBSON	91JAN18
CHECKED	AN	91FEB19
APPROVED	EAC	91FEB19
APPROVED		
CAD NAME 007950-1		
THRO ANGLE PROJECTION		

Raychem
RAYCHEM CORPORATION
300 CONSTITUTION DRIVE
MENLO PARK, CALIFORNIA 94025

**TITLE CABLE TRANSITION MODULE (CTM).
FLAT-TO-ROUND TERMINATION,
20 CONDUCTOR, 1 IN. W/EARS,
.050 PITCH, ENVIRONMENT RESISTANT,
125° MAX OPERATING TEMPERATURE**

SIZE	CODE IDENT. NO.	DWG. NO.	REV
C	06090	CTM-1050	A

DO NOT SCALE THIS DRAWING

DRAW NO. CTM-1050 SHEET

A

SHEET 1 OF 1