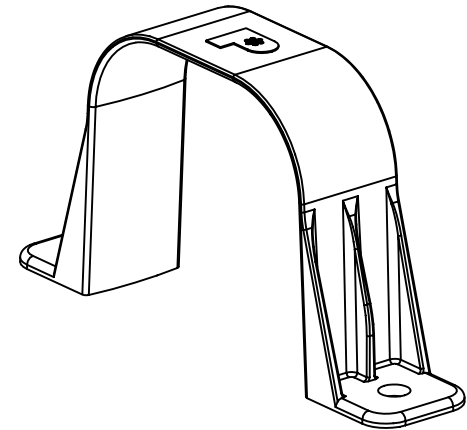
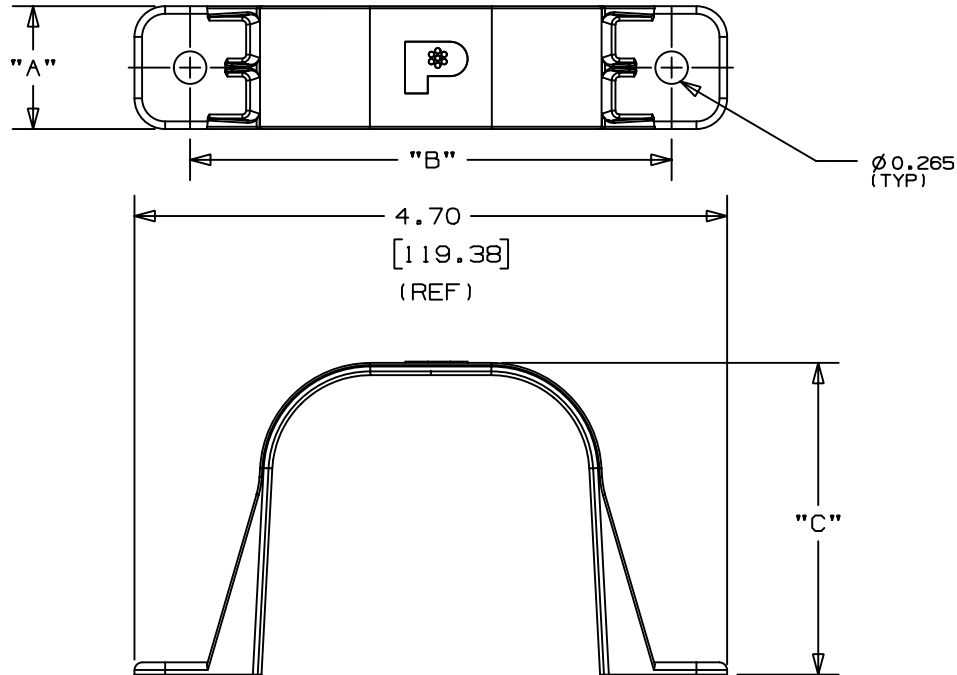


THIS COPY IS PROVIDED ON A RESTRICTED BASIS AND IS NOT TO BE USED IN ANY WAY DETRIMENTAL TO THE INTERESTS OF PANDUIT CORP.

PANDUIT PART NO.*	DIMENSIONS			BUNDLE RETAINING AREA	MATERIAL	WEIGHT lbs / 25 (g) / pcs.
	"A" (REF)	"B" (REF)	"C" (REF)			
WBS6- <u>    </u>	1.00 (25.4)	3.92 (99.6)	2.54 (64.5)	6 SQ INCHES	ABS	0.77 / (349.4)
WBS6- <u>  60</u>					94V-0 NYLON 6/6	0.86 / (391.8)



Notes:

- \* 1. See current price sheet for part number suffix designation for package size and color.
- 2. The maximum mounting hardware is 0.250" or (6.5 mm) diameter.

DIMENSIONS IN BRACKETS ARE METRIC [ mm ]	
CAD FILENAME/LAYERS: G02408CA_PB_WBS_02	
<b>PANDUIT</b> CORP. TINLEY PARK, ILLINOIS WIRE BUNDLE STRAP (WBS_ - _ )	
UNLESS OTHERWISE SPECIFIED, DIMENSIONAL TOLERANCES ARE: (.X) ±0.05 (1.3) (.XXX) ±0.010 (0.25) (.XX) ±0.02 (0.5) ANGLES ± 5°	UNLESS OTHERWISE SPECIFIED, ALL DIMENSIONS ARE GIVEN IN INCHES, THIRD ANGLE PROJECTION.
DRAWN BY: JAD	MAT'L: SEE TABLE
DATE: 9/13/00	SCALE: 3/4
CHK'D:	DRAWING NO.: GB2408CA DWG SIZE: A

2	8/30/02	JAD		ADDED -60 PRODUCT	GB2408CA	2			
REV	DATE	BY	CHK	DESCRIPTION	ECN	R	CUST	SUP	