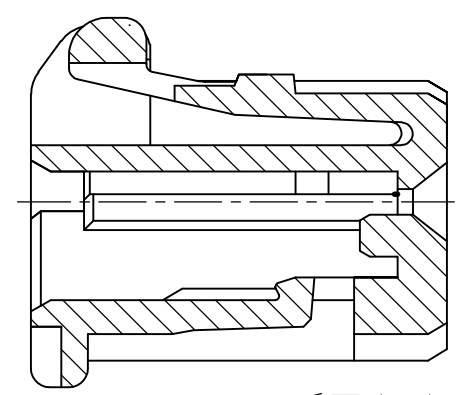
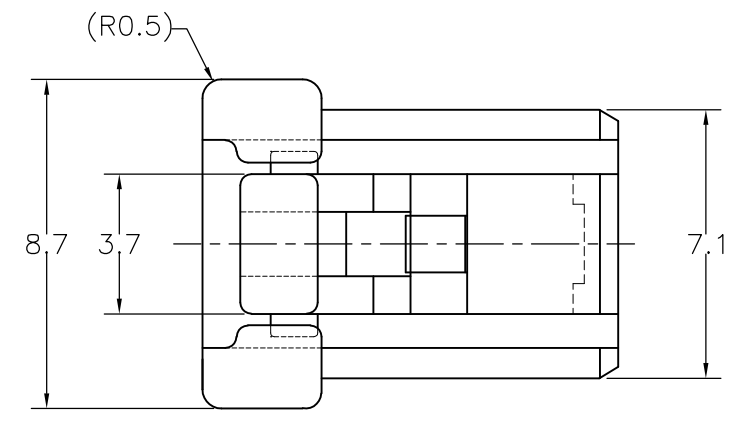


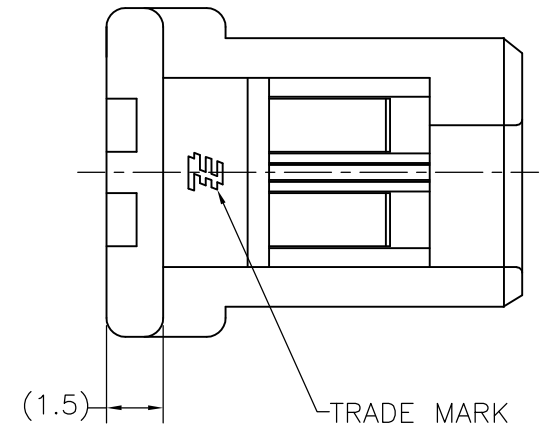
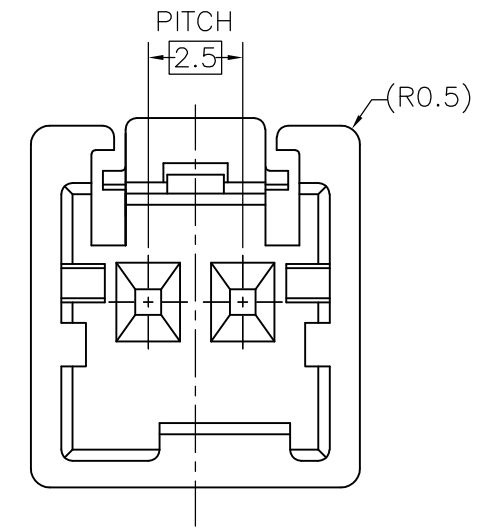
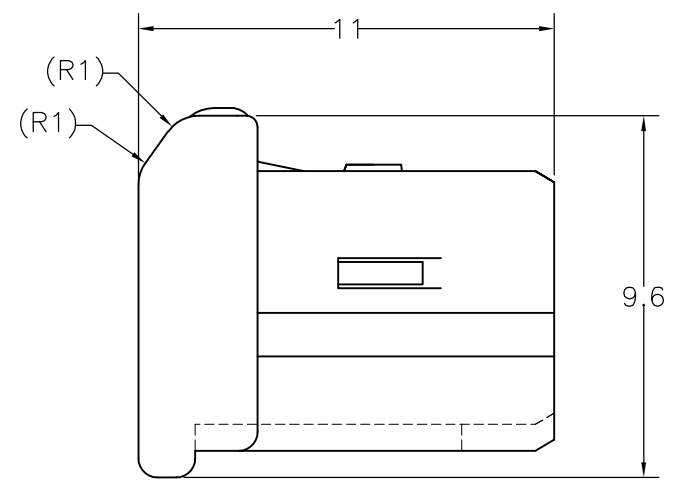
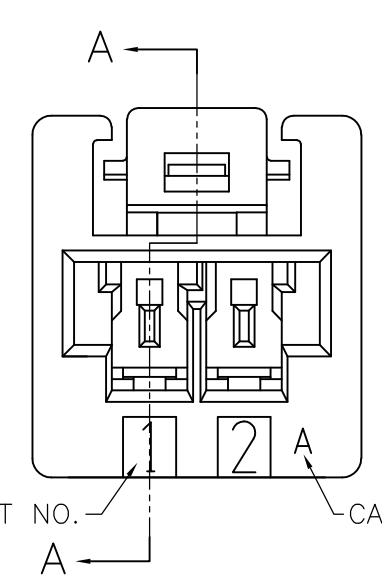
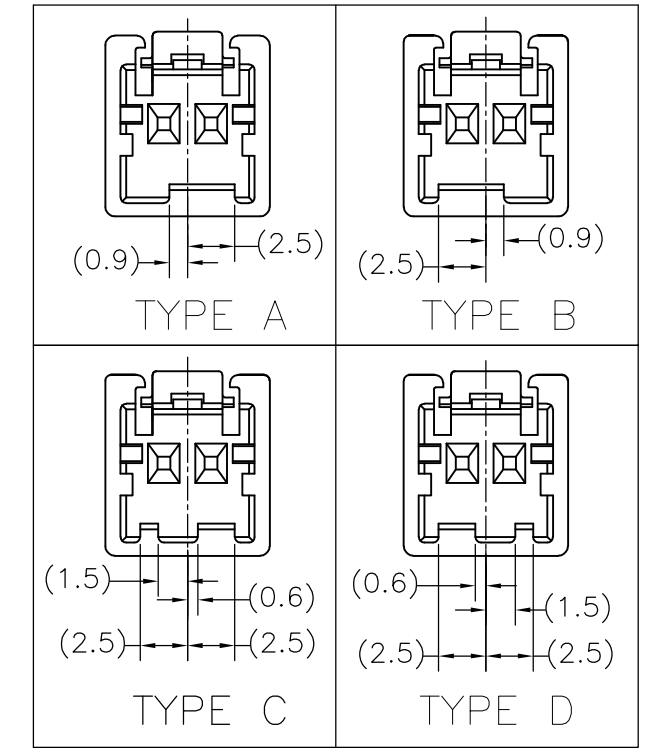
THIS DRAWING IS UNPUBLISHED. RELEASED FOR PUBLICATION
 © COPYRIGHT BY TYCO ELECTRONICS CORPORATION. ALL RIGHTS RESERVED.

LOC	DIST	REVISIONS 変更					
J	—	P	LTR	DESCRIPTION	DATE	DWN	APVD
			B1	REVISED PER ECR-10-019980	04OCT10	HMR	TM



断面 A-A
SECT A-A

TYPE OF KEYING



注記
 1. 一般公差: ±0.3
 △ 材料PBTガラス強化(UL94V-0)
 ⊕ かん合相手製品型番
 キャップハウジング: TABLE参照のこと
 リセコンタクト: 917683, 917684

NOTE
 1. GENERAL TOLERANCE: ±0.3
 △ MATERIAL: PBT GLASS FILLED (UL94V-0)
 ⊕ MATING CONN. P/N
 CAP HOUSING: SEE TABLE
 REC CONTACT: 917683, 917684

4-1903391-2	TYPE B	BLACK 黒色	4-1903388-2
3-1903391-4	TYPE D	YELLOW 黄色	3-1903388-4
2-1903391-3	TYPE C	BLUE 青色	2-1903388-3
1-1903391-2	TYPE B	RED 赤色	1-1903388-2
1903391-1	TYPE A	NATURAL 自然色	1903388-1
△ かん合相手型番 MATING HSG P/N	キーイング形状 TYPE OF KEYING	色調 COLOR	型番 PART NUMBER

THIS DRAWING IS A CONTROLLED DOCUMENT.		DWN J.SATO 01NOV05	Tyco Electronics AMP K.K. Kawasaki, Japan	
DIMENSIONS: 単位: 耗 mm		CHK T.HATANO 01NOV05	NAME N.YAMASAKI 01NOV05	
TOLERANCES UNLESS OTHERWISE SPECIFIED: 一般公差		APVD N.YAMASAKI 01NOV05	PRODUCT SPEC 製品規格 108-78350	
0 PLC ± 1 PLC ± 2 PLC ± 3 PLC ± 4 PLC ± ANGLES ±		APPLICATION SPEC 取付適用規格	APPLICATION SPEC 取付適用規格	
MATERIAL 材料 SEE NOTE △	FINISH 仕上	WEIGHT	SIZE A3	CAGE CODE 00779
CUSTOMER DRAWING		DRAWING NO C-1903388		RESTRICTED TO —
		SCALE 尺度 5:1	SHEET 1 OF 1	REV B1