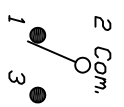


RECOMMENDED PCB LAYOUT

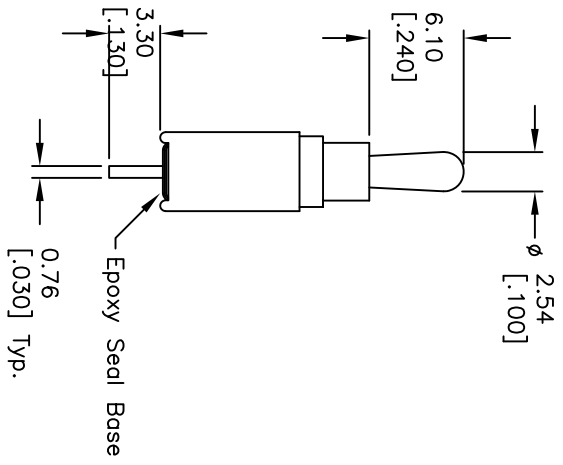
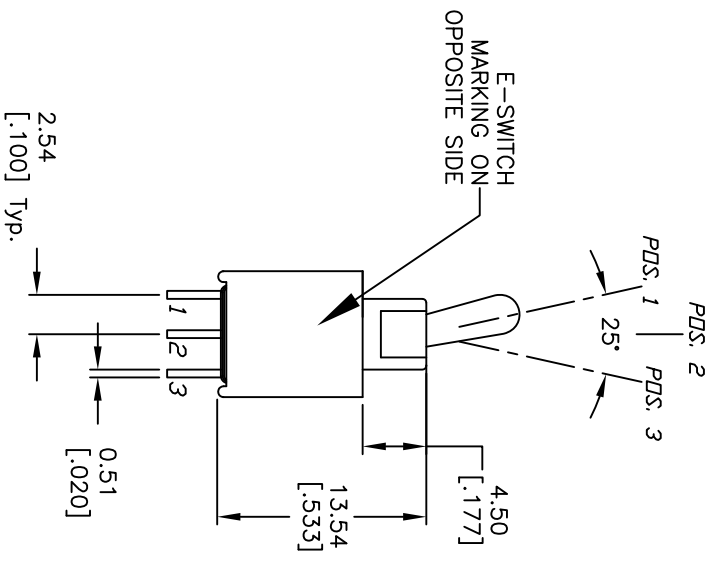
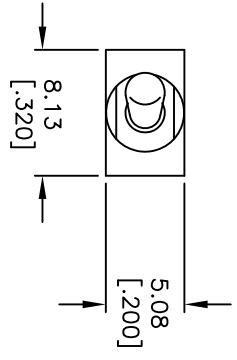


CIRCUIT: SPDT
CONTACT CONFIGURATION

SWITCH FUNCTION		
PDS. 1	PDS. 2	PDS. 3
DN	NONE	DN
2-3	OPEN	2-1

NOTES:

1. ALL DIMENSIONS IN MM [INCH]
2. GENERAL TOLERANCE: X.X=±0.4
X.XX=±0.25
3. TERMINAL NUMBERS FOR REF ONLY
4. RATING: 3A @120VAC or 28VDC;
1A @250VAC
5. FIXED TERM. & MOVING CONTACT:
COPPER Alloy w/SILVER PLATE.
6. ELECTRIC LIFE: 50,000 make-and-break cycles
at full load.
7. INSULATION RESISTANCE: 1,000 Mega-ohm min.
8. DIELECTRIC STRENGTH: 1,000 V RMS @sea level.
9. OPERATING TEMP.: -30C to +85C



E-SWITCH

C	21002	13.54 WAS 13.39	2/4/13	EBP
B	11468	REVISED AND REDRAWN	3/6/02	CB
REV.	ECN No.	DESCRIPTION	DATE	CHKD

TITLE		SCALE		DATE		DR		DWG		REV	
200AWMSPIT2A1M2QE		2:1		3/6/02		CB		T201102		C	

THE INFORMATION CONTAINED IN THIS DOCUMENT IS PROPRIETARY TO E-SWITCH AND IS NOT TO BE COPIED OR TRANSFERRED