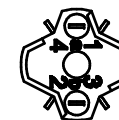
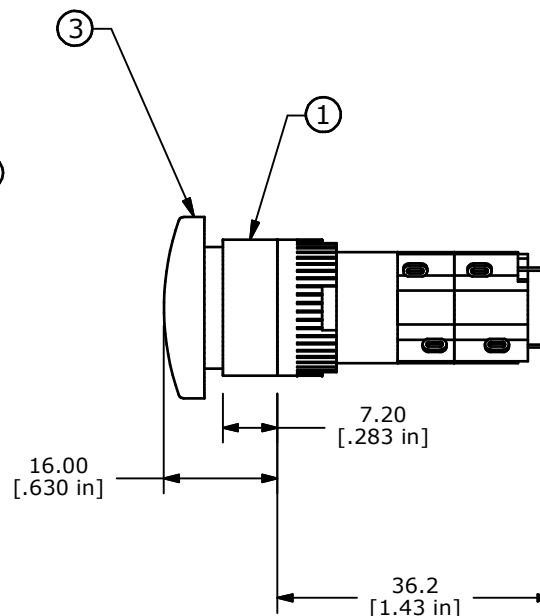
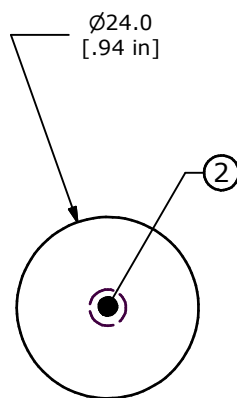
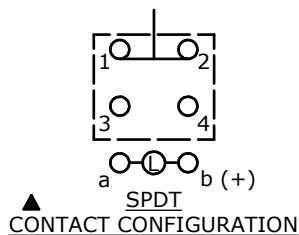


PARTS LIST			
ITEM	QTY	PART NUMBER	DESCRIPTION
1	1	F040027	D160AR12
2	1	F050420	12 VDC RED LED
3	1	F051212	50-012-41 MUSHROOM CAP RED (TRANSPARENT)

PANEL MOUNTING



- NOTE:
- ALL DIMENSIONS IN MM [INCH].
 - GENERAL TOLERANCE: X.X=±0.4
X.XX=±0.25
 - TERMINAL NUMBERS FOR REF ONLY.
 - RATING: 5A @ 250VAC UL, VDE
8A @ 125VAC UL, VDE
6A @ 24VDC
0.2A @ 250VDC
 - ELECTRICAL LIFE: 50,000 MAKE-AND-BREAK CYCLES
AT FULL LOAD min.
 - INSULATION RESISTANCE: 1,000 MEGA-OHM min.
 - OPERATING TEMP.: -25°C to +55°C
 - LAMP: 12 VDC (RED) LED
 - PANEL THICKNESS = 0.5mm TO 5.0 mm
 - ▲ DENOTES CRITICAL PARAMETER.
 - PACKAGE: BOX / 20 PIECES PER BOX
 - DEGREE OF PROTECTION: IP40
 - TRAVEL: 3.00 mm.
 - 2002/95/EC (ROHS) COMPLIANT.

REV	PCR NO	DESCRIPTION	DATE	BY
B	18766	CORRECT NOTE #8 (TO LED)	1/12/10	BLR
A	18724	RELEASED FOR PRODUCTION	12/10/09	BLR

THE INFORMATION CONTAINED IN THIS DOCUMENT IS PROPRIETARY TO E-SWITCH AND IS NOT TO BE COPIED OR TRANSFERRED

TITLE D160AR2JREDRED			
SCALE	DATE	DR	DWG
2:1	1/12/2010	BLR	XF0810P
			REV B