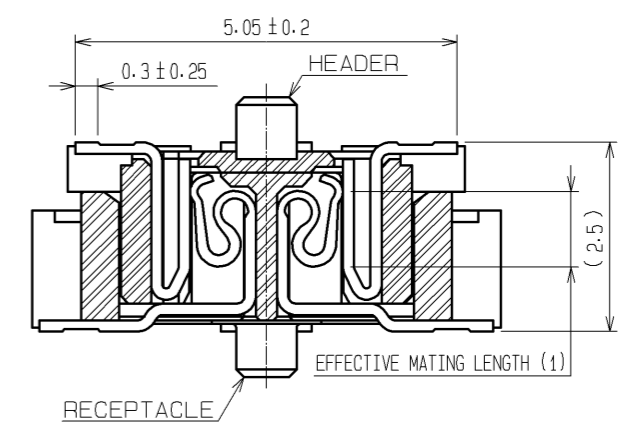
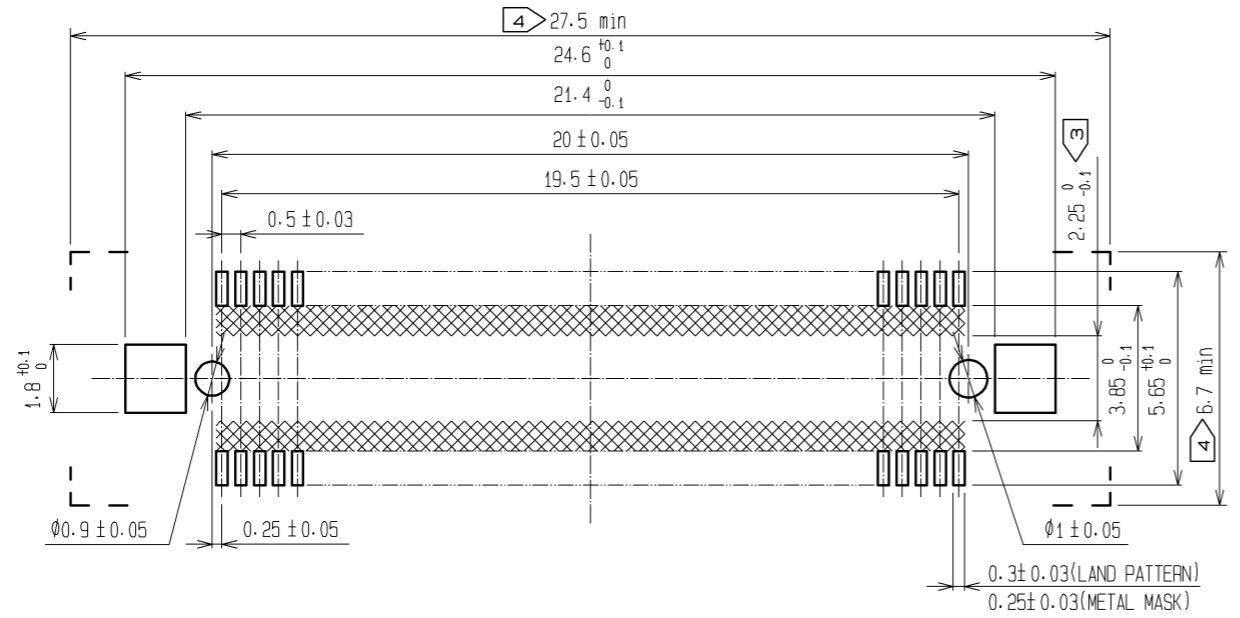


SIGNAL PORTION CROSS SECTION(10:1)



RECOMMENDED LAND PATTERN DIMENSION OF PCB  
(RECOMMENDED METAL MASK THICKNESS:0.15mm)

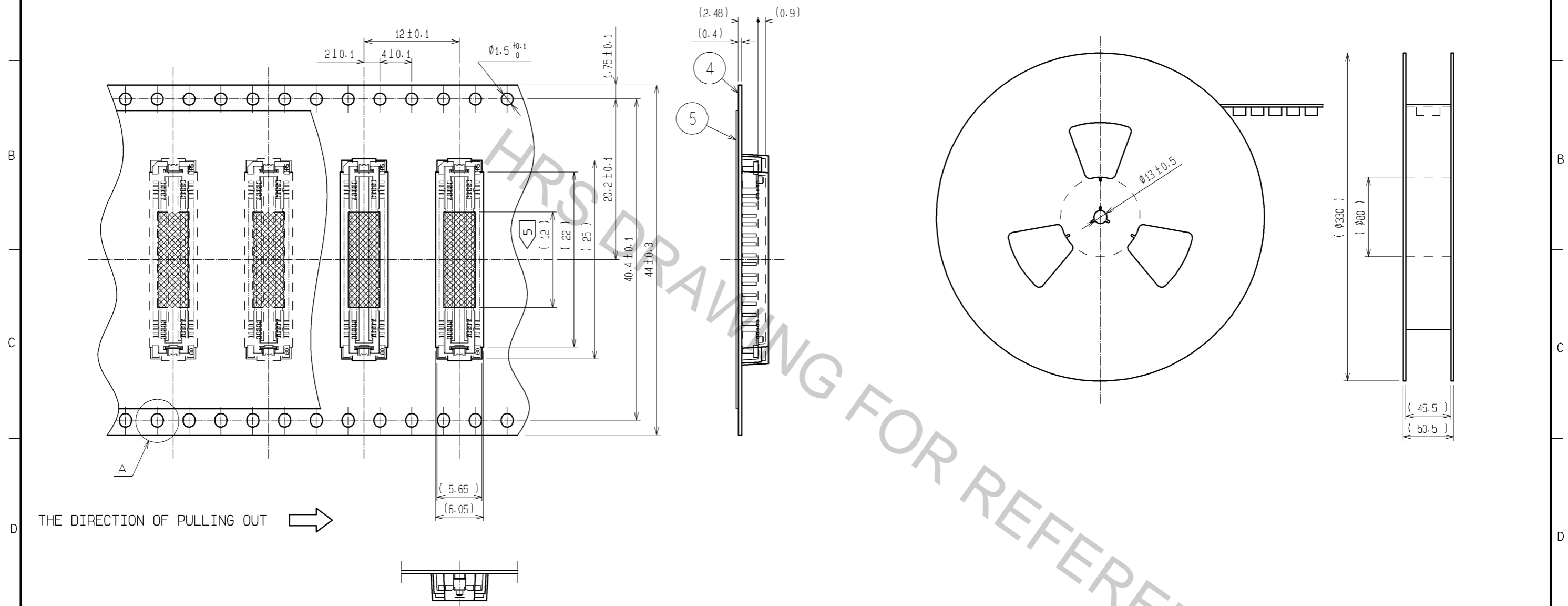


- NOTES
- 1 SMT LEAD-COPLANARITY:0.1 MAX.
  - 2 THIS PRODUCT HAS NO POLARITY TO PATTERN FOR MOUNTING.
  - 3 MAKE SURE WIDTH OF PATTERN IS WITHIN THAT OF LAND .OR LEAD MAY TOUCH PATTERN.(THIS APPLIES TO HATCHED AREA.)
  - 4 DO NOT MOUNT OTHER DEVICES ONTO [ ] AREA .OR MATING PAIR CANNOT BE MATED.
  - 5 TO BE EMBOSSED CARRIER TAPED AS SPECIFIED IN SHEET 2.
  - 6 THE DIMENSIONS IN PARENTHESES ARE FOR REFERENCE.

3	PHOSPHOR BRONZE	TIN PLATING						
2	COPPER ALLOY	CONTACT AREA : GOLD 0.1μm min.	6	POLYIMIDE	(TAPE FOR VACUUM PICKUP)			
		LEAD AREA : GOLD 0.05μm min.	5	PET	TOP COVER TAPE			
		UNDER PLATING : NICKEL 1μm min.	4	PS	EMBOSSED CARRIER TAPE			
1	LCP	BEIGE UL94V-0						
NO.	MATERIAL	FINISH . REMARKS	NO.	MATERIAL	FINISH . REMARKS			
UNITS mm		SCALE 5 : 1	COUNT △	DESCRIPTION OF REVISIONS		DESIGNED	CHECKED	DATE
<b>HRS</b> HIROSE ELECTRIC CO., LTD.		APPROVED : HS. OKAWA 11.01.26	DRAWING NO. EDC3-152439-02					
		CHECED : HT. YAMAGUCHI 11.01.26	PART NO. FX11A-80P-SV(22)					
		DESIGNED : SY. KAMIGA 11.01.26	CODE NO. CL573-0548-0-22					
		DRAWN : HK. SUNADORI 11.01.26						

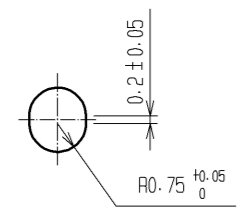
# DRAWING FOR PACKING(2:1)

REELED DIMENSION(Free)

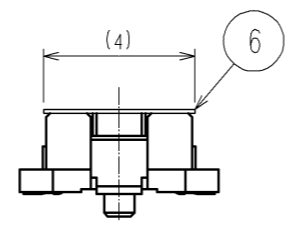


THE DIRECTION OF PULLING OUT →

A (5:1)



DETAIL FOR VACUUM PICKUP (5:1)



- NOTES
- 1 1 REEL : 1000 CONNECTORS.
  - 2 MINIMUM 10 COMPARTMENTS FROM BOTH REEL ENDS REMAIN EMPTY.
  - 3 THIS PRODUCT HAS NO POLARITY TO TAPE AND REEL PACKAGING.
  - 4 THE DIMENSIONS IN PARENTHESES ARE FOR REFERENCE.
  - 5 REMOVE THE VACUUM PICKUP TAPE AFTER MOUNTING THE CONNECTOR.

<b>HRS</b>	DRAWING NO.	EDC3-152439-02	△ 2/2
	PART NO.	FX11A-80P-SV(22)	
	CODE NO.	CL573-0548-0-22	