

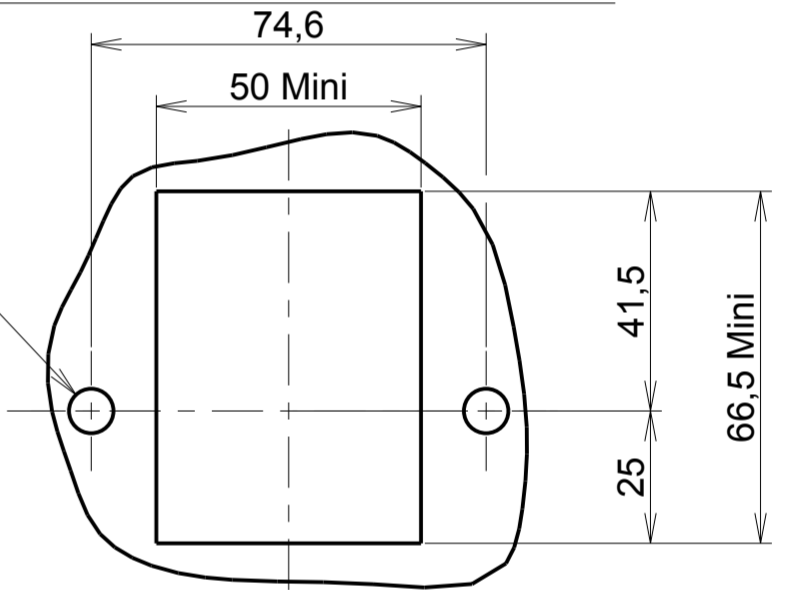
9:0:RL

MATERIAL :
 -Body :Thermoplastic black PA GF + PBT GF30
 -Mating seal (cap) : Silicone
 -Mating seal (connector): fluorocarbon
 -O'ring : NBR
 -Shaft and spring : stainless steel

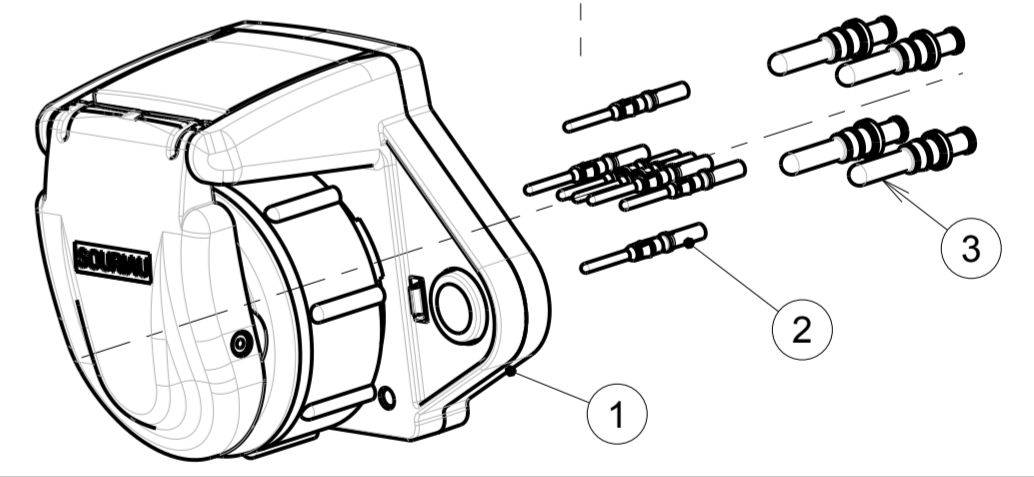
PERFORMANCE CHARACTERISTICS:
 -Operating temperature : -30° up to +85°
 -Test potential: 800 V
 -Insulation resistance : 5 Gohms under 500V
 -Operating voltage : 28V (for #8) and 24V (for #16)
 -Rated current : 26A (for #8) et 13A (for #16)
 -Contact resistance : <5 mohms by contact (for #8) and <6 mohms (for #16)
 -Durability:100 matings and unmatings
 -This cap is a water and dust protected version.
 -Level sealing : IP69K (cap locked or mated connector only)
 -Salt spray : 500H

NOTES :
 -Contact are delivered separately
 -The cap is defined according to EN 16330 and Compliance Matrix N°13113
 -The cap can be assembled with the backshell : WME10010A

PANEL CUT OUT FOR INFORMATION (FOR REAR MOUNTING)
 Panel thickness Maxi :3 mm

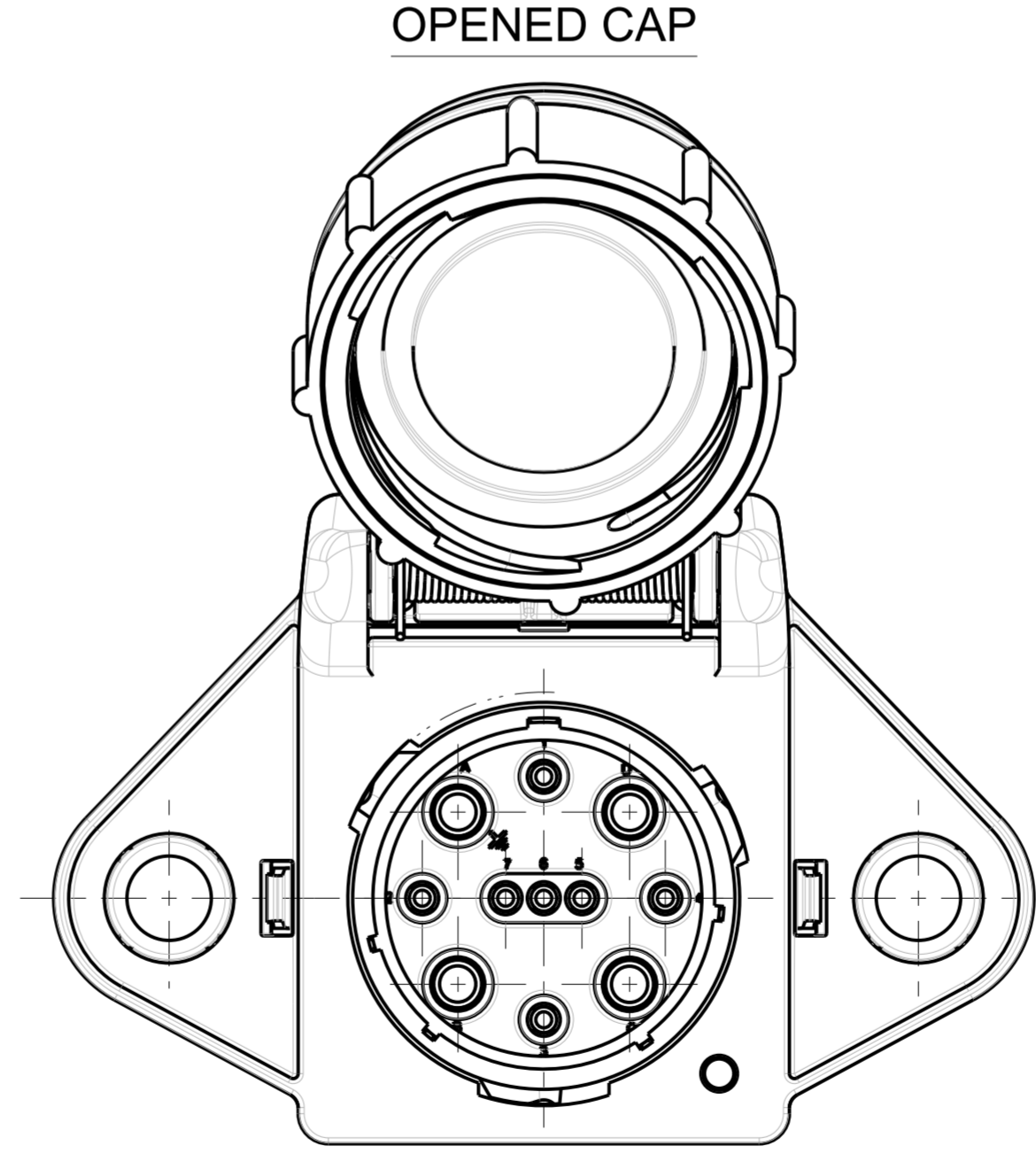
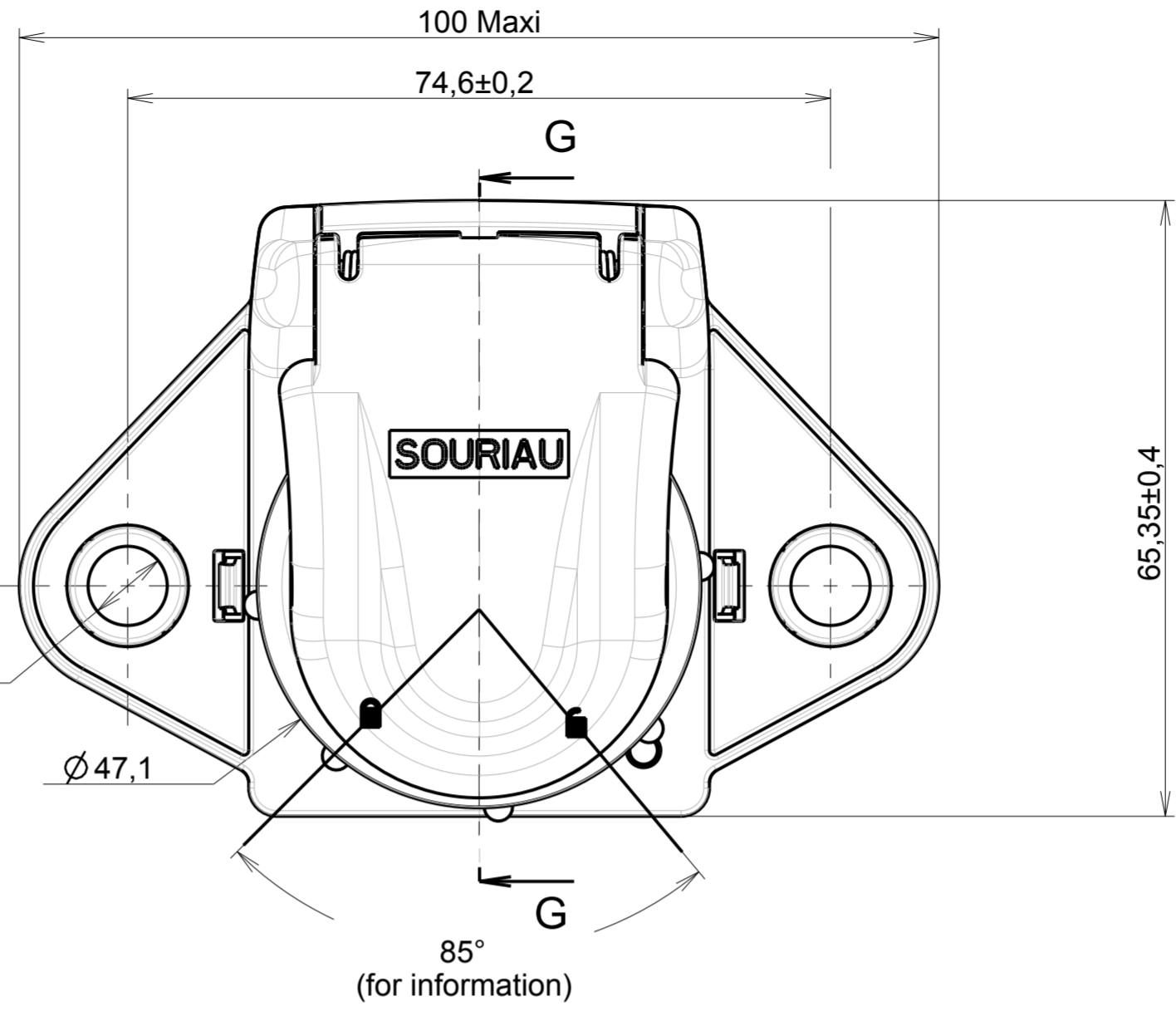


2 Holes Ø 8,4 for screw M8 tightening torque : 4.5Nm Mini / 5.5Nm Maxi

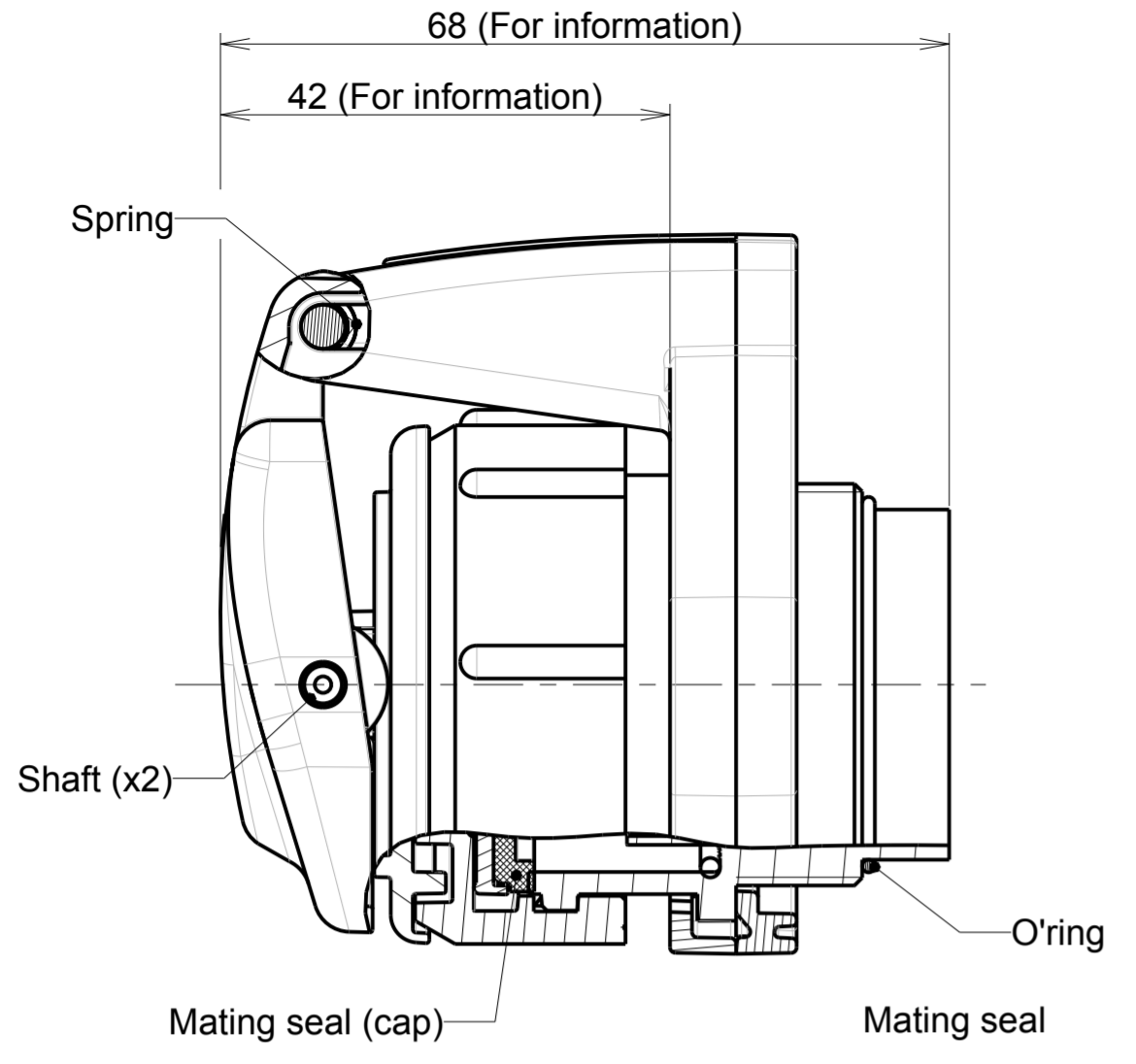


P/N : WME10007A

g	23/07/14	Update drawing with tightening torque for the panel screw		23017TPR
ISS	DATE	Latest modification - by: J.FEURPRIER		MOD N°
Designed by: J.FEURPRIER		Date:08/06/12	CUSTOMER DRAWING	
TITLE		CAPS FOR RECEPTACLE SIZE 24		
		UTP CONNECTOR		
Scale	1/1	General linear Tolerances: ± 0.2	NPRDS / PROJECT IC131707A	
SOURIAU		WWW.SOURIAU.COM		This document is the property of SOURIAU It must not be reproduced or communicated without permission
FORMAT	A2	SOURIAU DRG N° WME1-0007A-C01		SHEET 1 / 1

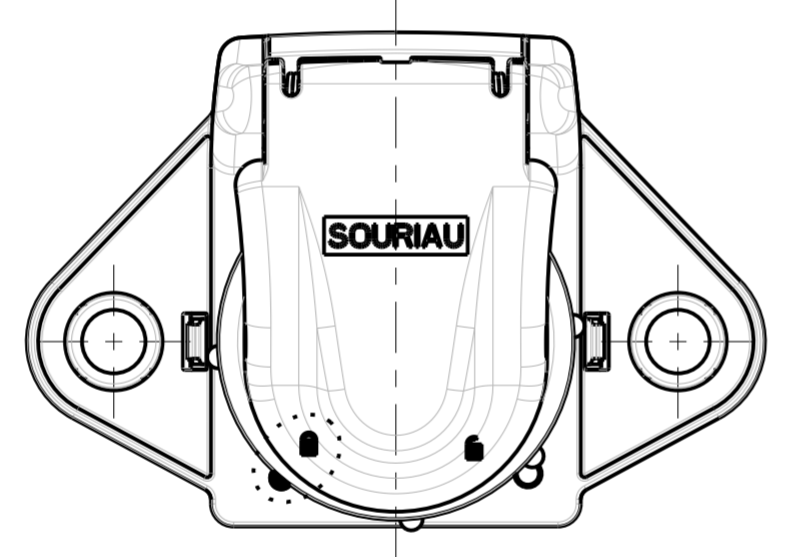
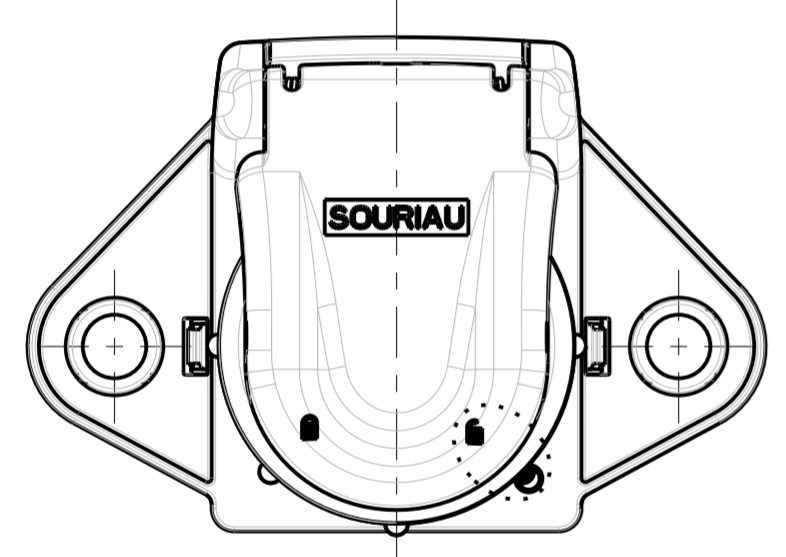


REP	P/N	DESCRIPTION	COMMENTS	QTY
1	WME10007A	Locking cap size 24	Included Receptacle WME10003A	1
2	RM16M23K	PIN #16	Delivered separately	7
3	82913603A	PIN #8	Delivered separately	4



UNLOCKED POSITION

LOCKED POSITION (IP69k)



ASSEMBLY DIMENSION (for information only)

