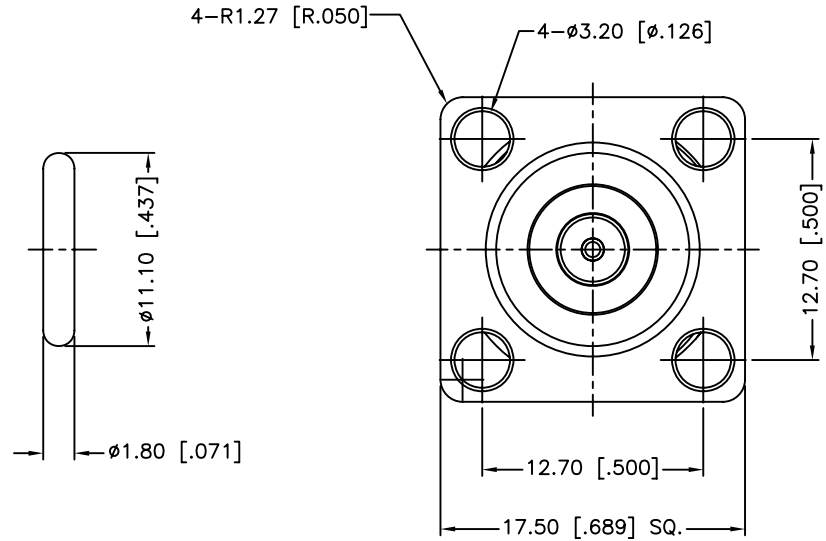
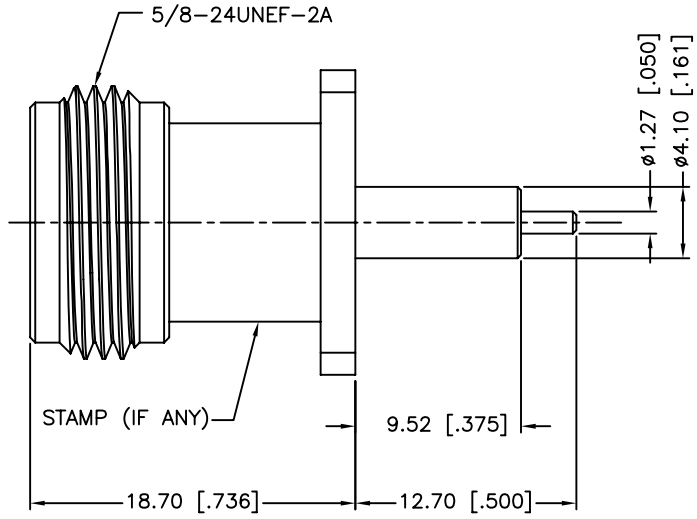
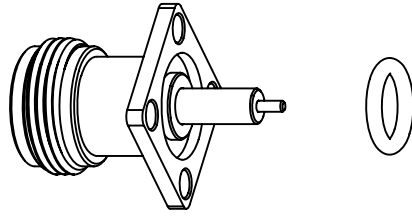


| REV. | DATE | ECR NO. | DESCRIPTION |
|------|----------|---------|---|
| NC | 01/24/11 | -- | INITIAL RELEASE |
| A | 04/20/11 | 2161 | CHANGE THE CONTACT LENGTH TO .500" FROM .455" |



| QTY | DESCRIPTION | MATERIAL | FINISH |
|-----|-------------|-----------------|---------|
| 1 | GASKET | SILICONE | RED |
| 1 | CONTACT PIN | PHOSPHOR BRONZE | GOLD |
| 1 | INSULATOR | PTFE | NATURAL |
| 1 | BODY | BRASS | NEXCOTE |

UNLESS OTHERWISE SPECIFIED DIMENSIONS ARE IN MILLIMETERS. DIMENSIONS IN [] ARE IN INCHES AND FOR CUSTOMER REFERENCE ONLY.

UNLESS OTHERWISE SPECIFIED TOLERANCES FOR MILLIMETERS ARE:
0.5 - 8mm ± 0.20mm
8 - 30mm ± 0.40mm
30 - 120mm ± 0.50mm

UNLESS OTHERWISE SPECIFIED TOLERANCES FOR INCHES ARE:
.020 - .315 = ± 0.007"
.315 - 1.180 = ± 0.015"
1.180 - 4.724 = ± 0.020"

DO NOT SCALE DRAWING

| APPROVALS | | DATE |
|-----------|-------------------------|----------|
| DRAWN | M.ZHANG | 04/20/11 |
| CHECKED | | |
| ISSUED | | |
| SHEET | 1 OF 1 | |
| CAD FILE | C:/CONNEX/172224-24.DWG | |

Amphenol Connex

PART DESCRIPTION
**N PANEL RECEPT. JACK
EXTENDED TEFLON/CONTACT (.375"/.500")**

PART NO.
172224-24

DWG. NO. 172224-24.DWG REV. NC SIZE A SCALE NA