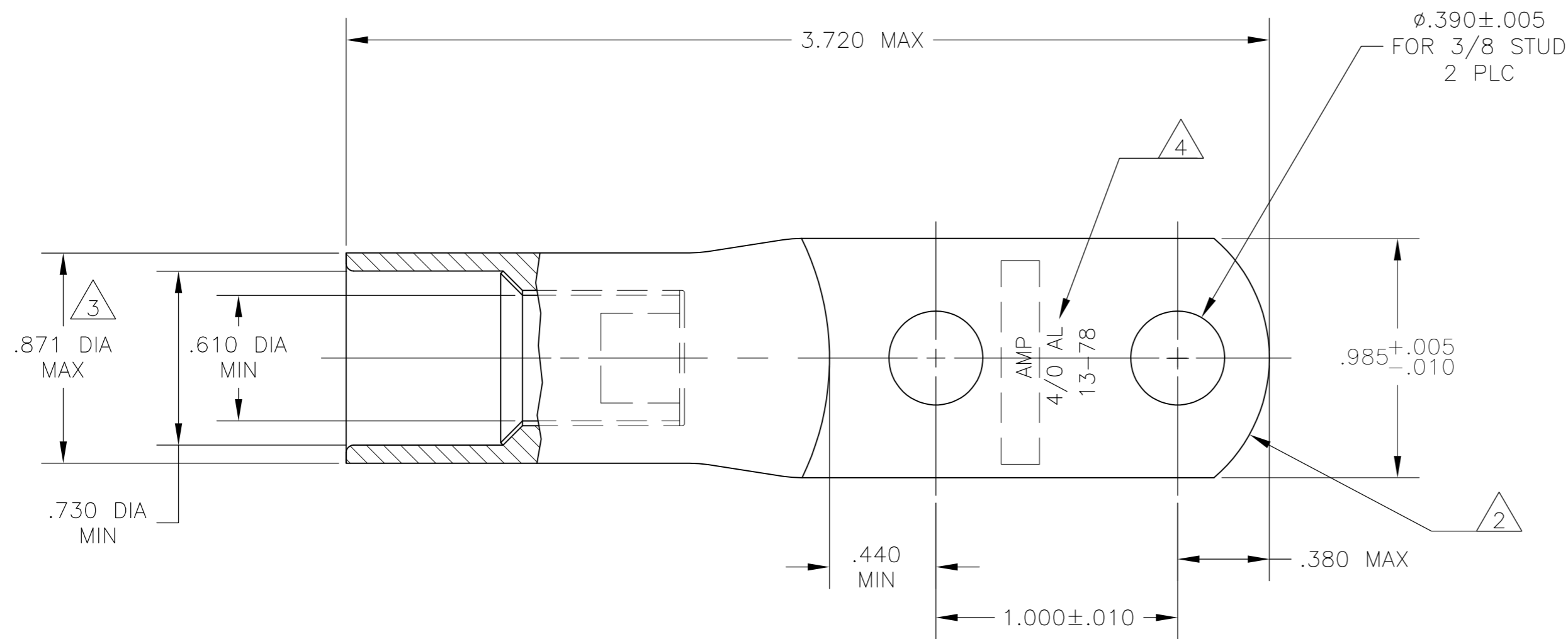
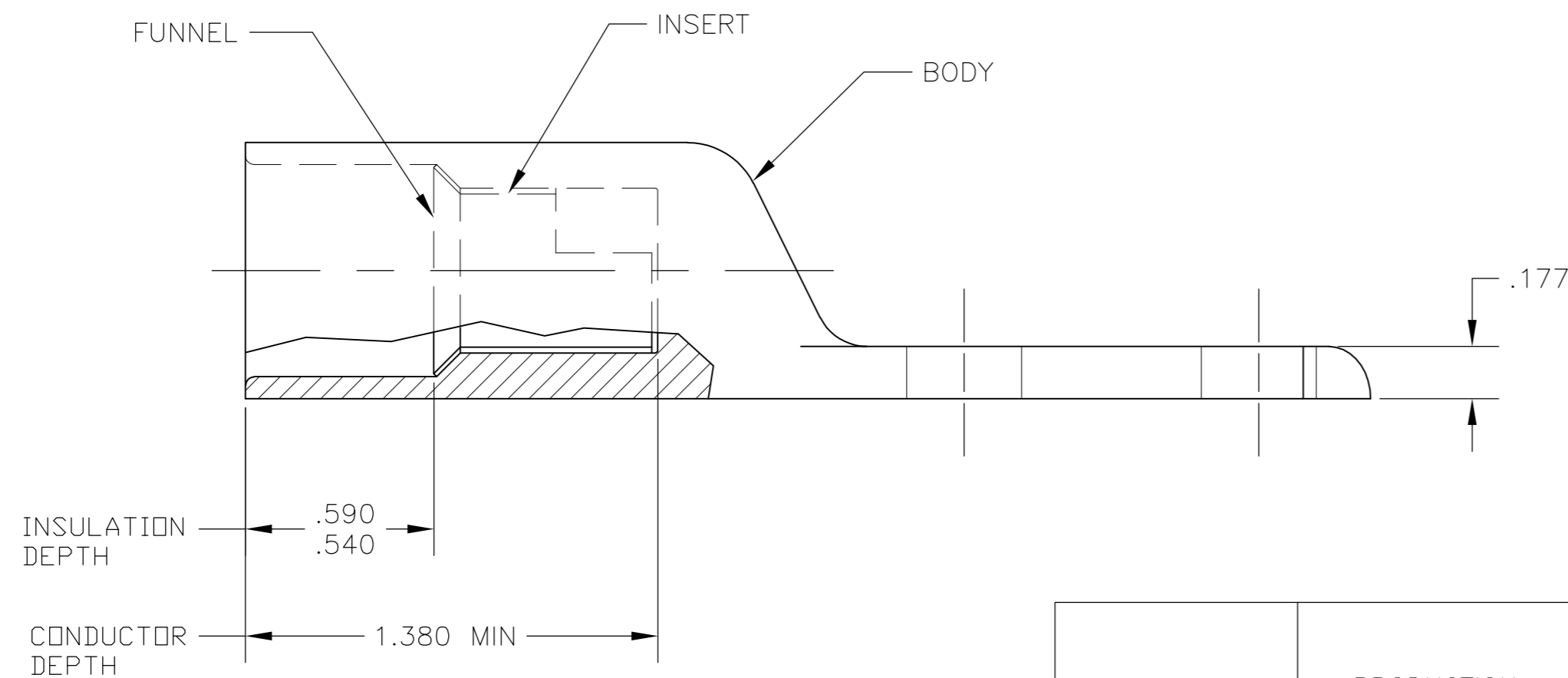


THIS DRAWING IS UNPUBLISHED. RELEASED FOR PUBLICATION
 © COPYRIGHT BY TYCO ELECTRONICS CORPORATION. ALL RIGHTS RESERVED.

LOC		DIST		REVISIONS			
P	LTR	DESCRIPTION	DATE	DWN	APVD		
	D	REV PER ECO 09-025957	15DEC09	PY	JW		



- 1 WIRE INSULATION: .590-.683 DIA
- 2 THE TONGUE RADIUS FEATURE IS NOT A TOOLING CONTROLLED DIMENSION AND MAY NOT BE A TRUE RADIUS.
- 3 FLASH PERMITTED $\pm .020$
- 4 STAMP "AMP 4/0 AL 13-78" SIZE AND LOCATION APPROX AS SHOWN SEE TABLE FOR QUALIFICATION PORTION OF STAMP
 U = UNQUALIFIED
 P = PRODUCTION (IMPACT PART)



-	PRODUCTION AND QUALIFIED	P AMP	INSERT & FUNNEL: BRASS MIL-C-50 NICKEL PL QQ-N-290 .000300 AVG THK	696893-1
			BODY: COPPER ASTM-B187 ANNEALED TIN PL PER ASTM B545, .000150 MIN THK	
COLOR CODE	QUALIFICATION DESCRIPTION 4	QUALIFICATION STAMP 4	MATERIAL & FINISH	PART NO.

THIS DRAWING IS A CONTROLLED DOCUMENT.		DWN jr ruth 040CT05	Tyco Electronics Corporation Harrisburg, PA 17105-3608	
DIMENSIONS: INCHES		CHK MJ SPICER 040CT05	NAME	
TOLERANCES UNLESS OTHERWISE SPECIFIED:		APVD MJ SPICER 040CT05	WIRE TERMINAL, RING TONGUE, SEALED COPALUM, HIGH TEMP, WIRE SIZE: 4/0 AL	
0 PLC ± -		PRODUCT SPEC	SIZE A2	CAGE CODE 00779
1 PLC ± -		APPLICATION SPEC	DRAWING NO C=696893	RESTRICTED TO -
2 PLC ± .01			SCALE 2:1	SHEET 1 of 1
3 PLC ± .008			REV D	
4 PLC ± -				
ANGLES ± -				
FINISH		WEIGHT -		
SEE TABLE		CUSTOMER DRAWING		