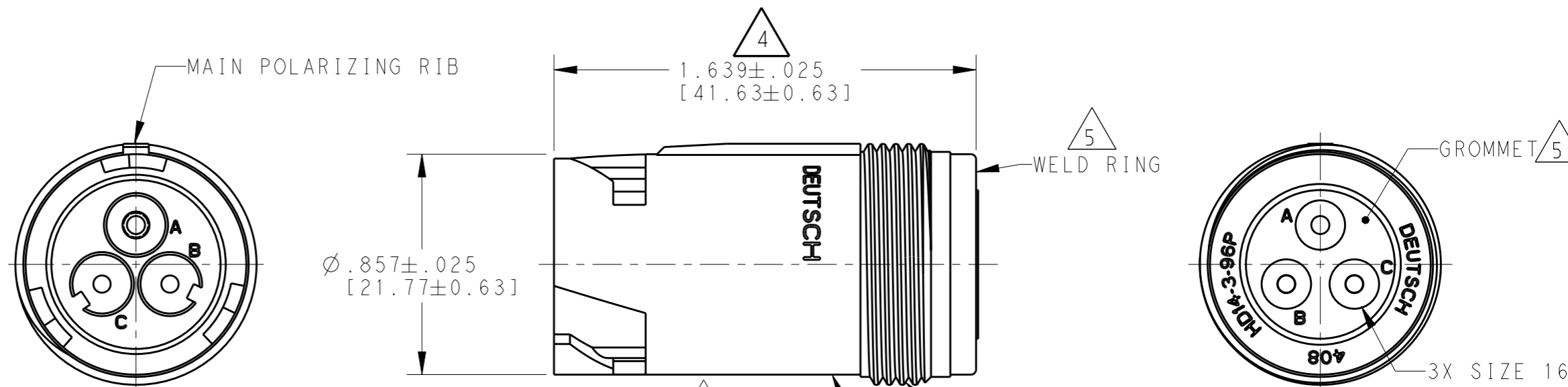
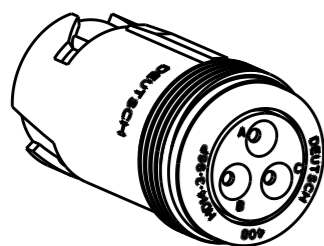


THIS DRAWING IS UNPUBLISHED. RELEASED FOR PUBLICATION 2013
 © COPYRIGHT 2013 BY TE CONNECTIVITY. ALL RIGHTS RESERVED.

LOC	DIST	REVISIONS			
P	LTR	DESCRIPTION	DATE	DWN	APVD
-	-	D	REVISED PER E.O. P20076	9DEC2008	- RDR
		E	REVISED PER E.O. P20790	4FEB2011	- RDR
		F	REVISED PER E.O. P21394	6JUN2012	- RDR
		F1	REVISED PER ECO-14-002953	29JAN2014	PV DM



5. MATERIAL: RECEPTACLE HOUSING AND WELD RING: PA 15%GF (GREY)
 GROMMET: SILICONE (RED)

4. OVERALL DIMENSION DOES NOT INCLUDE RUBBER GROMMET.

3. THIS RECEPTACLE MATES WITH FOLLOWING PLUG (X = SEAL TYPE, XXXX = ALL MODIFICATIONS).
 HD16-3-96SX-XXXX

2. SEE DRAWING 0425-015-0000 FOR CONTACT AND WIRE PERFORMANCE AND APPLICATION CHARACTERISTICS.

1. SEE TABLE FOR USABLE WIRE RANGE AND INSULATION RANGE.

CONTACT SIZE	MINIMUM O.D.	MAXIMUM O.D.	WIRE RANGE [mm ²]
16	.100 [2.54]	.150 [3.81]	14-20 AWG [2.0-.50]

NOTES:

THIS DRAWING IS A CONTROLLED DOCUMENT.		DWN J. HAYNES 2SEP1999		
DIMENSIONS: INCHES [mm]		CHK I. GRANTCHAROVA 17SEP2013		
TOLERANCES UNLESS OTHERWISE SPECIFIED:		APVD D. MEYER 19SEP2013	NAME RECEPTACLE CONNECTOR	
0 PLC ± 1 PLC ± 2 PLC ± 3 PLC ±.025 4 PLC ± ANGLES ±0° 30' 0"		PRODUCT SPEC -	INLINE HD10 SERIES	
MATERIAL 5		APPLICATION SPEC -	ARR. 3-96 COLOR: GREY	
FINISH -		WEIGHT 15.68 (g)	SIZE A3	RESTRICTED TO -
		Customer Drawing	CAGE CODE 00779	DRAWING NO. HD14-3-96P
		SCALE 2:1	SHEET 1 OF 1	REV F1