

THIS DRAWING IS UNPUBLISHED. RELEASED FOR PUBLICATION, 19 .
 © COPYRIGHT 19 BY AMP INCORPORATED. ALL INTERNATIONAL RIGHTS RESERVED.

LOC	DIST	P	F	ZONE	LTR	DESCRIPTION	DATE	APPD
G	14				F	EC 0720-0279-93	6-21-93	SSG BB

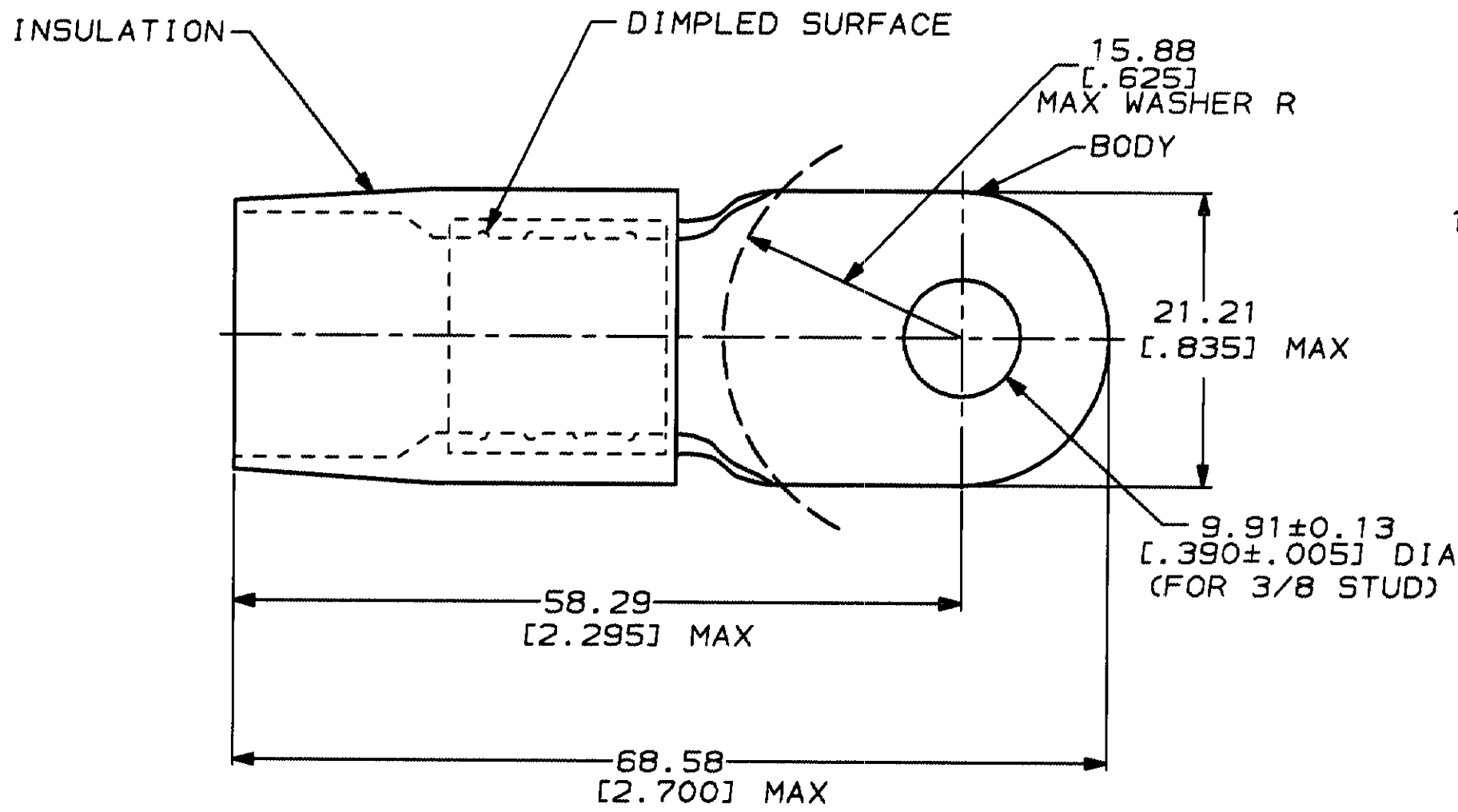
AMP
WIRE RANGE

4/0 AWG
STRANDED

METRIC

DIMENSIONS LISTED IN mm [INCHES]

1. TONGUE MATERIAL THK 2.59±0.08 [.102±.003] FOR 19.43 [.765] MAX WIRE INS DIA



AMP INCORPORATED
CUSTOMER SERVICE SYSTEMS

FOR ADDITIONAL PRODUCT INFORMATION OR COPIES OF DRAWINGS AND TECHNICAL DOCUMENTS	PRODUCT INFORMATION CENTER 1-800-522-6752
FOR APPLICATION TOOLING INFORMATION	TOOLING ASSISTANCE CENTER 1-800-722-1111
FOR ORDER ENTRY	1-800-526-5142

MAX RECOMMENDED OPERATING TEMPERATURE:
105°C

VOLTAGE RATING:
-

CIRCULAR MIL AREA:
96.3-117mm² [190,000-231,100] STRANDED

DO NOT SCALE PRINT. UNLESS SPECIFIED DIMENSIONS IN MILLIMETERS. TOLERANCES ON:
 2 PLC DEC ± 0.20 [.008]
 3 PLC DEC ± -
 ANGLES ± -

MATERIAL:
COPPER PER ASTM B-152
NYLON (MIL-M-20693) TYPE 1
COLOR: BLUE

FINISH:
TIN PLATE PER MIL-T-10727

QTY	LOOSE PC	329150
	PACKAGE TYPE	PART NO
DR 6-21-93 S.S. GOULDEN	AMP AMP Incorporated Harrisburg, PA 17105-3608	
CHK 6-21-93 R. HERSEY	NAME	
APPD 6-21-93 B. BARE	TERMINAL, RING TONGUE, TERMINYL WIRE SIZE: 4/0 AWG	
APPD 6-21-93 M. ELLIS	SIZE	CAGE CODE
PRODUCT SPEC	B	00779
APPLICATION SPEC	DRAWING NO	C-329150
WEIGHT -	SCALE	SHEET
	NTS	1 OF 1