

STRADA-T-DW

Soft wide beam with good illuminance uniformity optimized for CREE XP-G and XP-E. Assembly with installation tape.

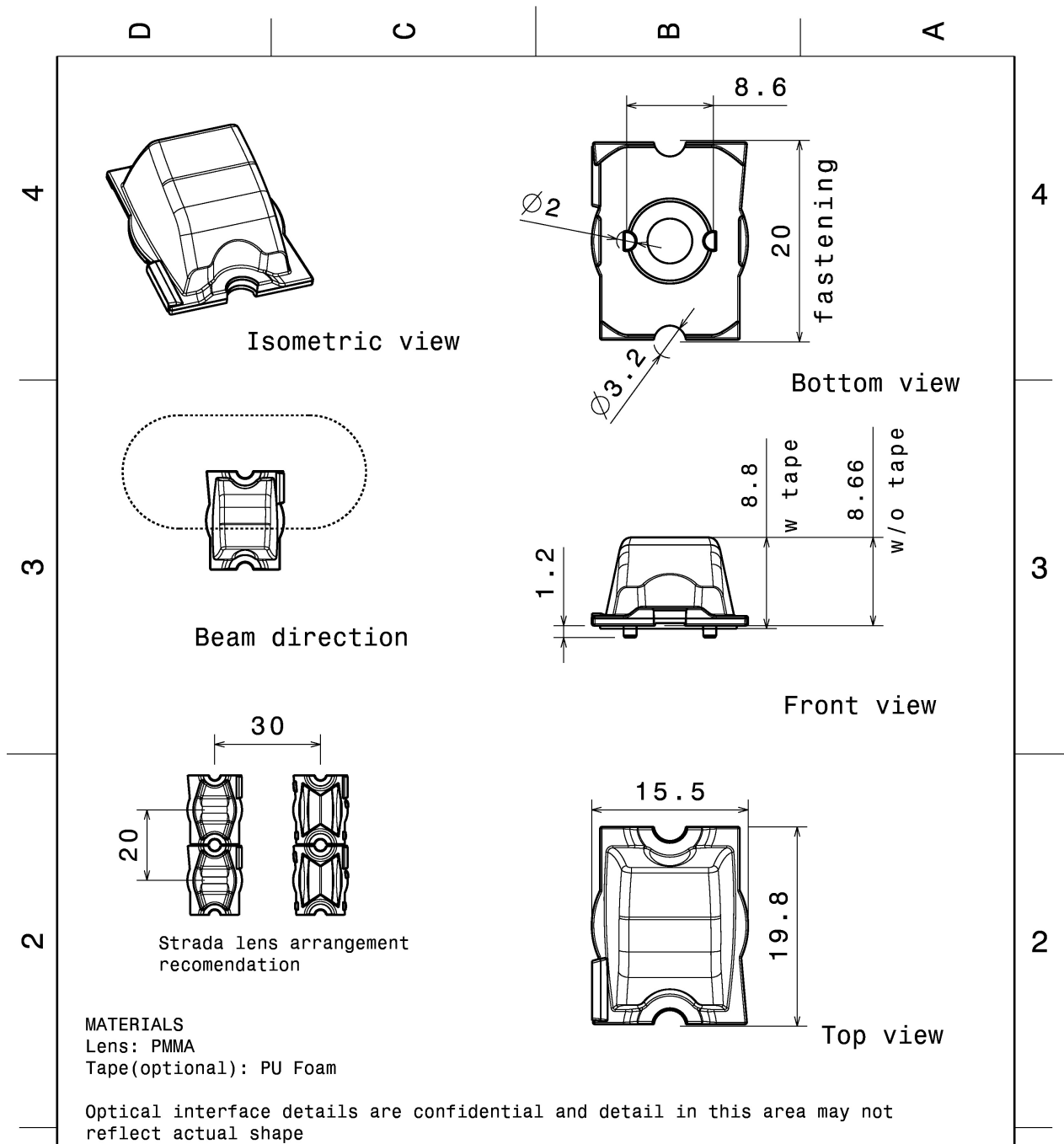
TECHNICAL SPECIFICATIONS:

Dimensions	19.6 x 15.5 mm
Height	10.7 mm
Fastening	pin, tape, screw
Colour	clear
Box size	451 x 254 x 197 mm
Box weight	4 kg
Quantity in Box	2880 pcs
ROHS compliant	yes ⓘ



MATERIAL SPECIFICATIONS:

Component	Type	Material	Colour
STRADA-T-DW	Lens	PMMA	clear
VOSU-WU-M-365-TAPE	Tape		

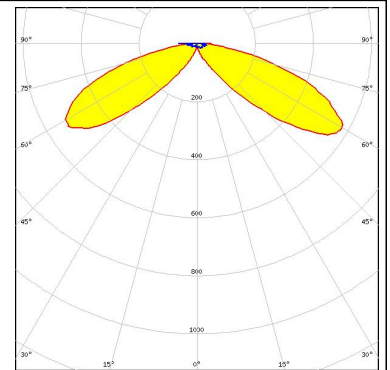


This drawing is our property. It can't be reproduced or communicated without our written agreement.		LEDiL		Ledil Oy Salorankatu 10 FIN-24100 SALO Finland	
DRAWING TITLE		Datashet Strada-T-DN Lens			
DRAWN BY ah	DATE 26.9.2012	SIZE A4		REV 2	
CHECKED BY sn	DATE 26.9.2012	SCALE 2:1		WEIGHT (g)	
DESIGNED BY hh	DATE 14.05.2010	SHEET 1/1			

PHOTOMETRIC DATA (MEASURED):



LED XB-D
FWHM Asymmetric
Efficiency 93 %
Peak intensity cd/lm
Required components:



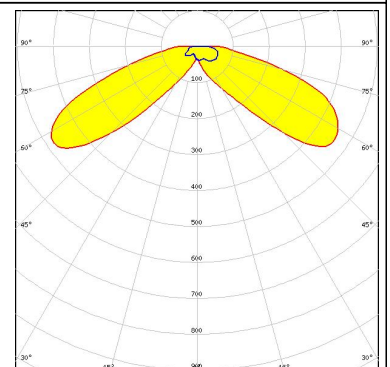
LED XP-E
FWHM Asymmetric
Efficiency 92 %
Peak intensity cd/lm
Required components:



LED XP-G
FWHM Asymmetric
Efficiency 92 %
Peak intensity cd/lm
Required components:



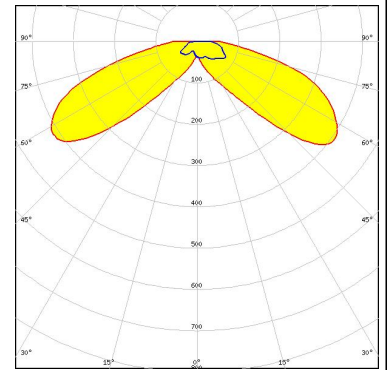
LED H35B0 (LEMWA32)
FWHM Asymmetric
Efficiency 92 %
Peak intensity 0.800 cd/lm
Required components:



PHOTOMETRIC DATA (MEASURED):

LG Innotek

LED H35C0 (LEMWA33)
FWHM Asymmetric
Efficiency 91 %
Peak intensity 0.750 cd/lm
Required components:



LUMILEDS

LED LUXEON A
FWHM Asymmetric
Efficiency 92 %
Peak intensity cd/lm
Required components:

LUMILEDS

LED LUXEON Rebel
FWHM Asymmetric
Efficiency 92 %
Peak intensity cd/lm
Required components:

LUMILEDS

LED LUXEON Rebel ES
FWHM Asymmetric
Efficiency 92 %
Peak intensity cd/lm
Required components:

PHOTOMETRIC DATA (MEASURED):



LED NCSxx19A
FWHM Asymmetric
Efficiency 92 %
Peak intensity cd/lm
Required components:

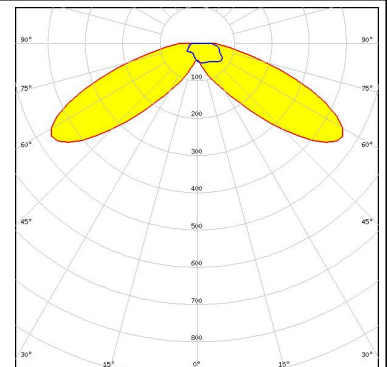


LED NVSxx19A
FWHM Asymmetric
Efficiency 92 %
Peak intensity cd/lm
Required components:



Osram Opto Semiconductors

LED Oslon Square PC
FWHM Asymmetric
Efficiency 92 %
Peak intensity cd/lm
Required components:



Osram Opto Semiconductors

LED Oslon SSL 150
FWHM Asymmetric
Efficiency 92 %
Peak intensity cd/lm
Required components:

PHOTOMETRIC DATA (MEASURED):

OSRAM
Opto Semiconductors

LED Oslon SSL 80
FWHM Asymmetric
Efficiency 92 %
Peak intensity cd/lm
Required components:

SEAGULL
SEOUL SEMICONDUCTOR

LED Z5
FWHM Asymmetric
Efficiency 92 %
Peak intensity cd/lm
Required components:

SHARP

LED Double Dome (GM2BB)
FWHM Asymmetric
Efficiency 92 %
Peak intensity cd/lm
Required components:

GENERAL INFORMATION:

NOTE: The typical beam angle will be changed by different color, chip size and chip position tolerance. The typical total beam angle is the full angle measured where the luminous intensity is half of the peak value.

MATERIALS:

As part of our continuous research and improvement processes, and to ensure the best possible quality and availability of our products, LEDiL reserves the right to change material grades without notice.

PRODUCT DATA USER AGREEMENT AND DISCLAIMER:

The measured data in the provided downloadable LEDiL Product Datasheets and Mechanical 2D-Drawings is rounded and provided as reference for planning. LEDiL Oy's optical specifications have been verified by conducting performance testing of the products in accordance with the company's quality system. The reported data are averaged results of multiple measurements with typical variation. LEDiL Oy reserves the right to without prior notification make changes and improvements to its products.

LEDiL Oy assumes neither warranty, nor guarantee nor any other liability of any kind for the contents and correctness of the provided data. The provided data has been generated with highest diligence but the provided data may in reality not represent the complete possible variation range of all intrinsic parameters. Therefore, in certain cases a deviation from the provided data could occur.

LEDiL Oy reserves the right to undertake technical changes of its products without further notification which could lead to changes in the provided data. LEDiL Oy assumes no liability of any kind for the possible deviation from any provided data or any other damage resulting from the usage of the provided data.

The user agrees to this disclaimer and user agreement with the download or usage of the provided files.

LEDiL Oy

Joensuunkatu 13
FI-24240 SALO
Finland

LEDiL Inc.

228 West Page Street
Suite D
Sycamore IL 60178
USA

Local sales and technical support

[www.ledil.com/
where_to_buy](http://www.ledil.com/where_to_buy)

Shipping locations

Salo, Finland
Hong Kong, China

Distribution Partners

[www.ledil.com/
where_to_buy](http://www.ledil.com/where_to_buy)