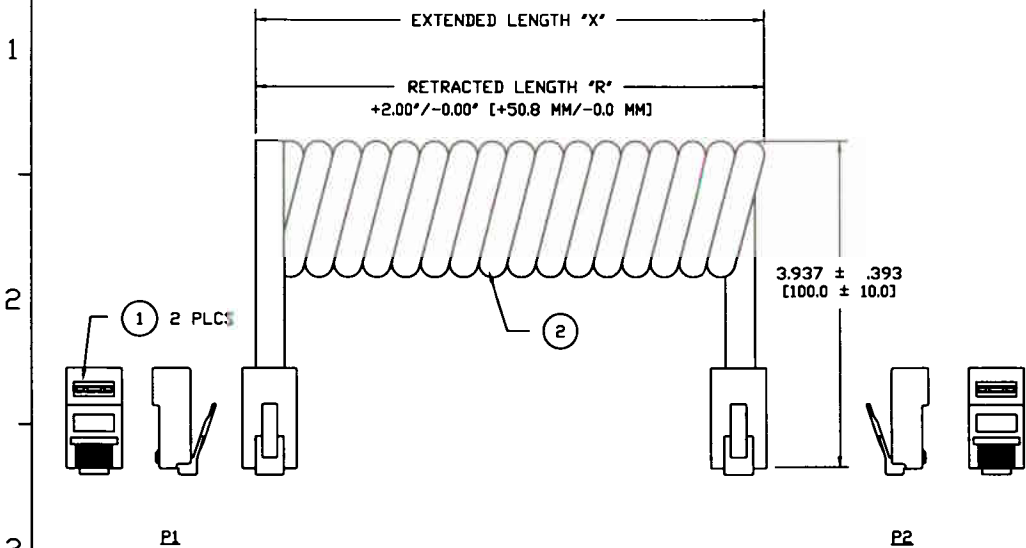


THESE DRAWINGS AND SPECIFICATIONS ARE THE SOLE PROPERTY OF I/O INTERCONNECT INC., U.S.A. AND SHALL NOT BE REPRODUCED, COPIED, OR USED IN ANY MANNER WITHOUT THE PRIOR WRITTEN CONSENT OF I/O INTERCONNECT INC. OR ITS AFFILIATED SUBSIDIARIES.

DWG. NO.	ZONE	REV.	DESCRIPTION	DATE	APPROVED
XXB-50X-D		D	ECN C285	08/21/01	K.C.
		E	ADD NOTE & CHANGE P/N TO ROHS COMPLIANT PER ECN 0803	04/21/05	M.G.



T.B.D.	GLF-488-148-505-D	GLF-121-810-022	14.0 FT [4.3 M]	50.0 IN [1270.0 MM]	WHITE
H2882-14C-ND	GLF-488-148-504-D	GLF-121-810-012	14.0 FT [4.3 M]	50.0 IN [1270.0 MM]	BLACK
T.B.D.	GLF-488-148-503-D	GLF-121-810-002	14.0 FT [4.3 M]	50.0 IN [1270.0 MM]	SILVER SATIN
T.B.D.	GLF-488-108-502-D	GLF-121-810-021	10.0 FT [3.0 M]	42.0 IN [1066.8 MM]	WHITE
H2882-10C-ND	GLF-488-108-501-D	GLF-121-810-011	10.0 FT [3.0 M]	42.0 IN [1066.8 MM]	BLACK
T.B.D.	GLF-488-108-500-D	GLF-121-810-001	10.0 FT [3.0 M]	42.0 IN [1066.8 MM]	SILVER SATIN
T.B.D.	GLF-488-078-505-D	GLF-121-810-020	7.0 FT [2.1 M]	28.0 IN [711.2 MM]	WHITE
H2882-07C-ND	GLF-488-078-504-D	GLF-121-810-010	7.0 FT [2.1 M]	28.0 IN [711.2 MM]	BLACK
H2883-07C-ND	GLF-488-078-503-D	GLF-121-810-000	7.0 FT [2.1 M]	28.0 IN [711.2 MM]	SILVER SATIN
H2881-05C-ND	GLF-488-058-502-D	GLF-121-810-023	5.0 FT [1.5 M]	22.0 IN [558.8 MM]	WHITE
H2882-05C-ND	GLF-488-058-501-D	GLF-121-810-013	5.0 FT [1.5 M]	22.0 IN [558.8 MM]	BLACK
T.B.D.	GLF-488-058-500-D	GLF-121-810-003	5.0 FT [1.5 M]	22.0 IN [558.8 MM]	SILVER SATIN
DIGI-KEY PART NUMBER	IOI PART NUMBER	IOI CABLE PART NUMBER	EXTENDED LENGTH "X"	RETRACTED LENGTH "R"	

TABULATION BLOCK

WIRE DIAGRAM

P1		P2
1	GRAY	1
2	ORANGE	2
3	BLACK	3
4	RED	4
5	GREEN	5
6	YELLOW	6
7	BLUE	7
8	BROWN	8

- NOTES: UNLESS OTHERWISE SPECIFIED.
- TEST CABLE FOR ALL OPENS & SHORTS.
 - PACKAGE CABLE ASSEMBLY INDIVIDUALLY IN PLASTIC BAG. PACKAGE INDIVIDUAL BAG PER LOT NUMBER QUANTITIES.
 - MARK OUTSIDE OF SHIPPING BOX WITH CUSTOMER PART NUMBER.
 - PLACE BAR CODE LABEL ON THE OUTSIDE OF EACH SHIPPING BOX LABEL DETAIL SEE DWG 090-990-001.
 - ALL MATERIAL SHOULD BE ROHS COMPLIANT.

ITEM	QTY	MFG.	IOI PART NO.	DESCRIPTION
2	"X" FT	IOI	SEE 'TABULATION BLOCK'	MODULAR COIL CABLE, 26 AWG (7/34) BARE COPPER, 8 CONDUCTOR, UNSHIELDED, PVC JACKET, (SEE TABULATION BLOCK FOR COLOR). ROHS COMPLIANT.
1	2 PCS	IOI	GLF-325-881-50X	CONNECTOR, MODULAR PLUG, 8 POSITION, 8 CONDUCTOR, 50u' Aw, FLAT TYPE EXIT. ROHS COMPLIANT.

CABLE ASSEMBLY PARTS LIST

THIRD ANGLE PROJECTION		I/O INTERCONNECT SANTA ANA, CALIFORNIA	
UNLESS OTHERWISE NOTED: 1) DIMENSIONS ARE IN INCHES (MILLIMETER) 2) TOLERANCES: XXX ± 0.25 [6.35]	DR. BY: JERRY SUN 04/21/05	TITLE: BP8C/BP8C COIL CABLE, REVERSE STYLE, CABLE ASSEMBLY P/N: H288X-XXC-ND	REV. E
	DR. CHECKED:	PART NO: GLF-488-XXB-50X-D	
	ENGINEER:	DWG NO: GLF-488-XXB-50X-D	
	DIST./SALES:	CUSTOMER: DIGI-KEY	
		SCALE: NONE	SHEET 1 OF 1