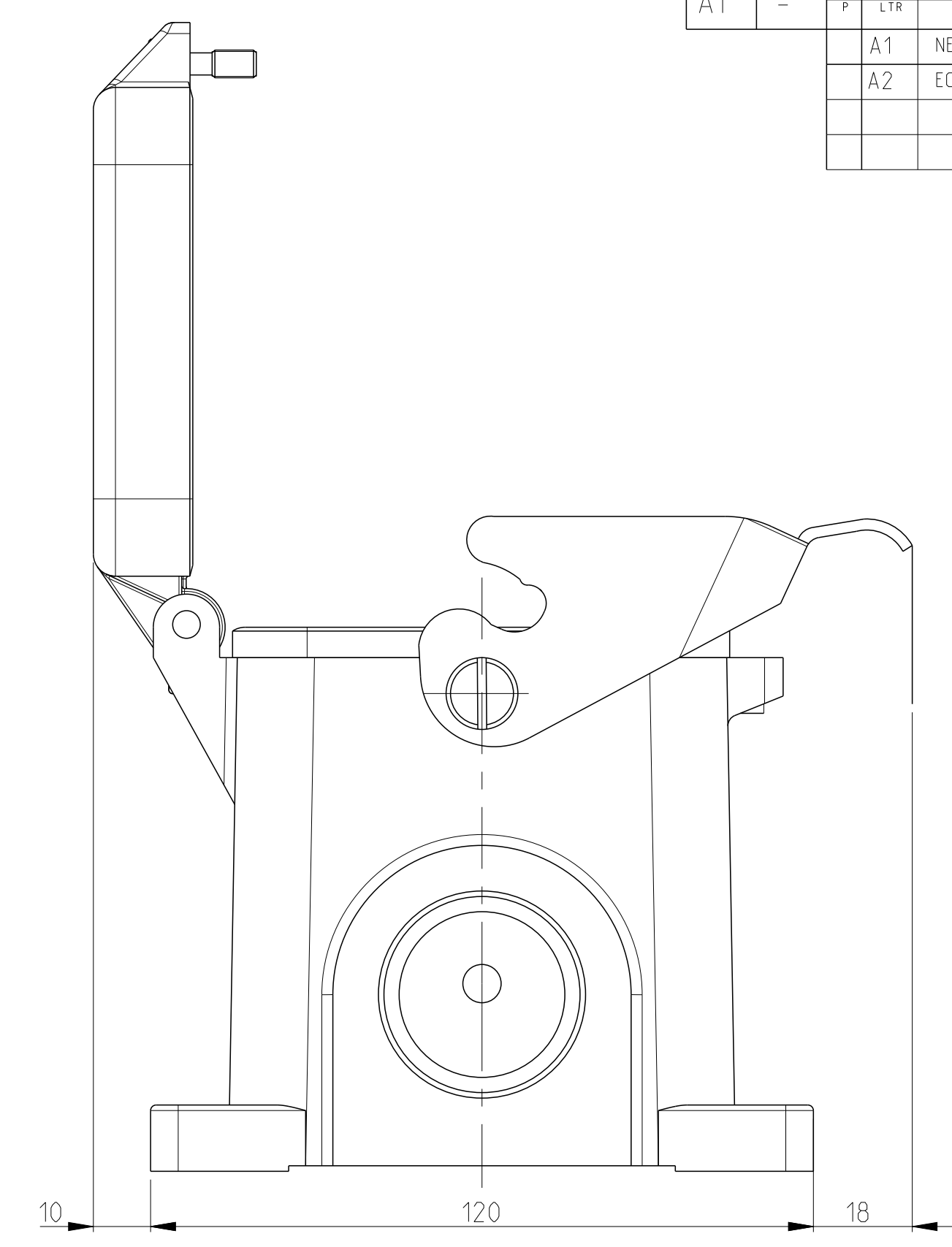
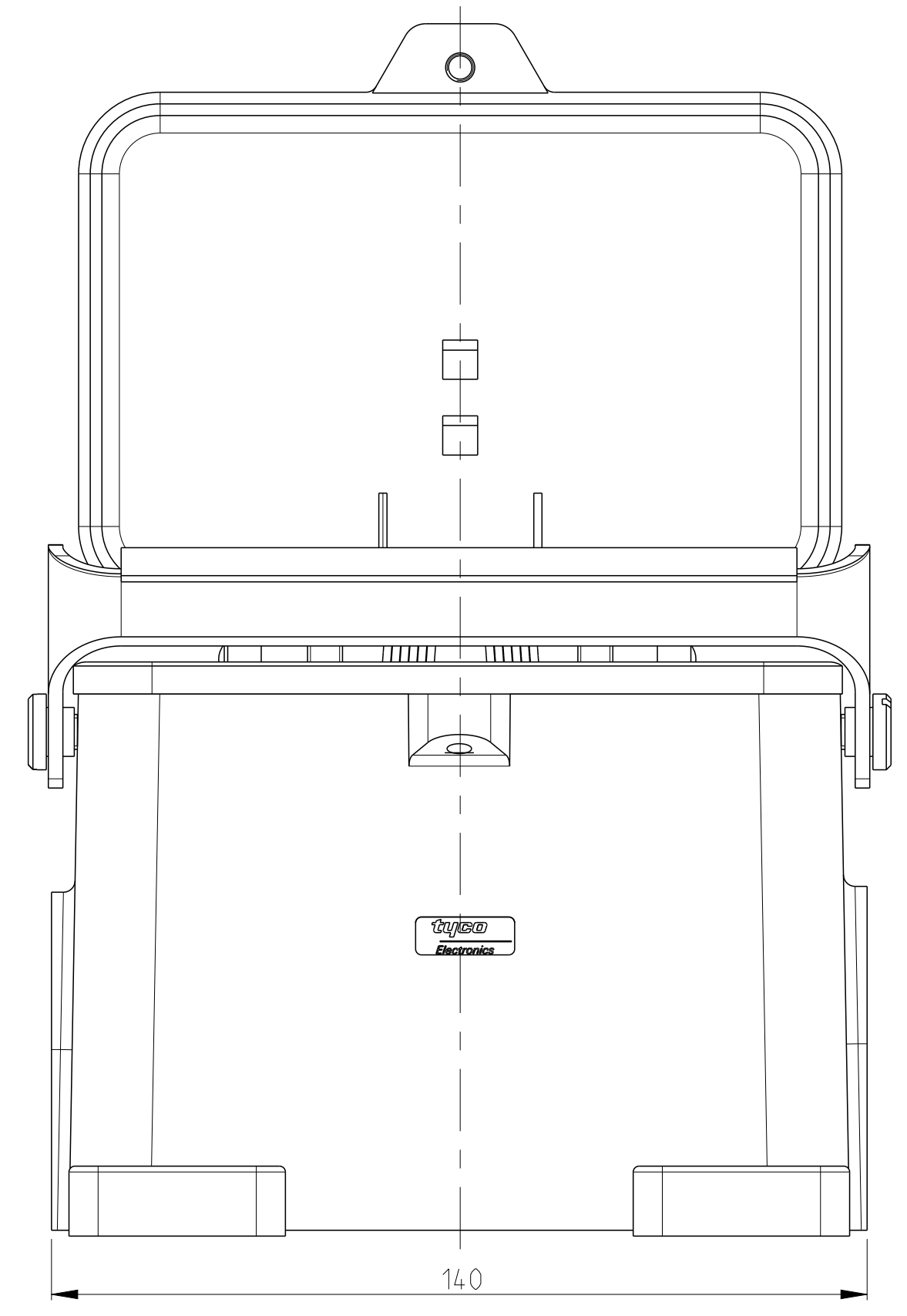
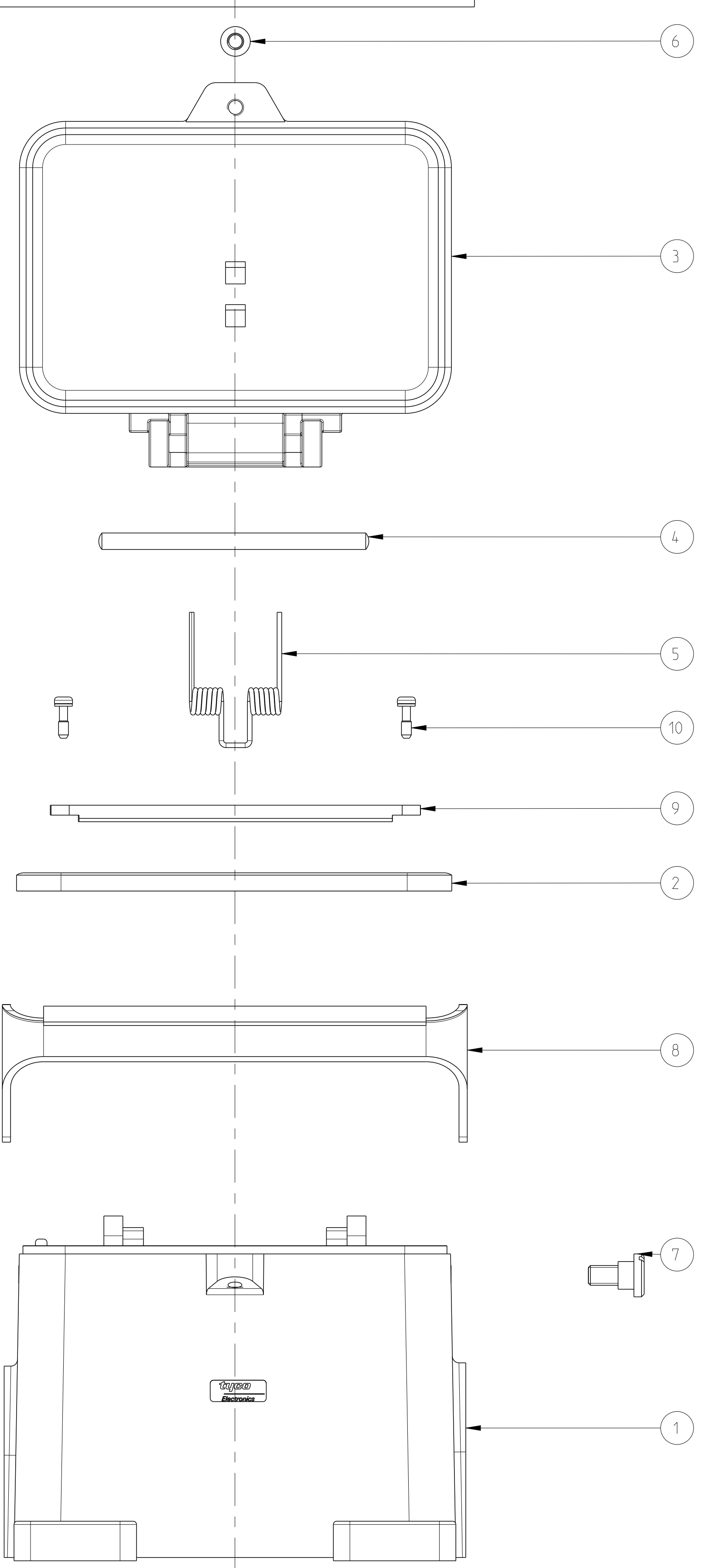


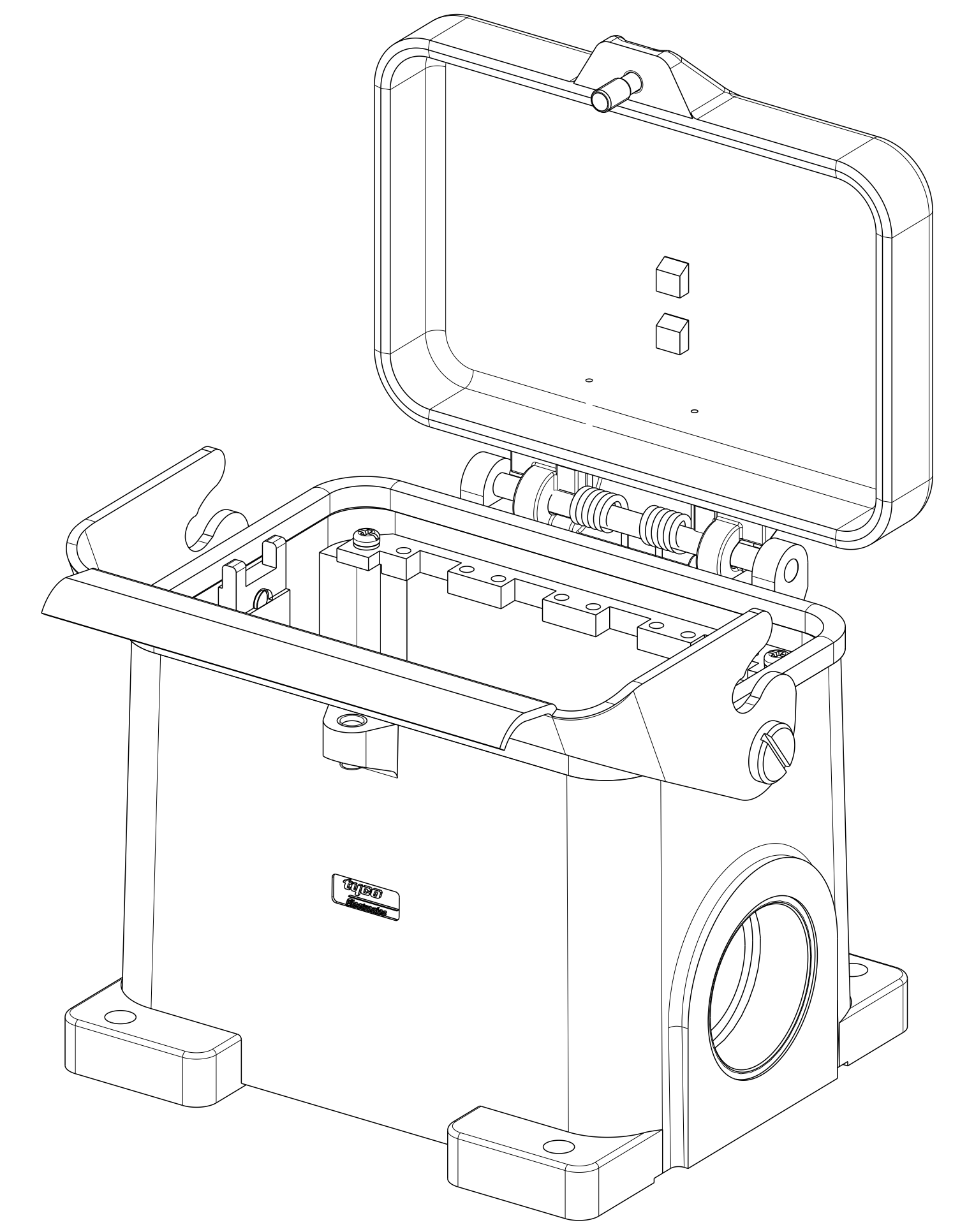
LOC	DIST	REVISIONS					
		P	LTH	DESCRIPTION	DATE	DWN	APVD
A1	-			NEW DRAWN	17 JUN 2008	GW	ST
A2	-			ECR-15-000844	29 JAN 2015	GSK	MKO

Notes
 1 PACKAGING:
 2 PIECES IN A KARTON



4	FIXING SCREW	STEEL	ZINK PLATED	BLUE	10
2	FIXING STRIP	STEEL	ZINK PLATED	BLUE	9
1	SIDE CLIP	STEEL	ZINK PLATED	BLUE	8
2	CROSS RECESS PAN HEAD SCREW	STEEL	ZINK PLATED	BLUE	7
1	CYLINDER SCREW	STEEL	ZINK PLATED	BLUE	6
1	LEG SPRING	STEEL	ZINK PLATED	BLUE	5
1	RIVET PIN	STEEL	ZINK PLATED	BLUE	4
1	COVER	ALUMINIUM	-	GREY	3
1	PROFILE SEAL	NEOPRENE	-	BLACK	2
1	SOCKET HOUSING	ALUMINIUM	-	GREY	1
1-2	DESCRIPTION	MATERIAL	SURFACE	COLOR	ITEM

HA.64.SGD-LB.1.29.Z



1-2
 AS SHOWN

DIMENSIONS:		TOLERANCES UNLESS OTHERWISE SPECIFIED:		MATERIAL:		FINISH:		WEIGHT:		SCALE:	
mm	0 PLC	±									
	1 PLC	±									
	2 PLC	±									
	3 PLC	±									
	4 PLC	±									
	ANGLES	±									
		±									

THIS DRAWING IS A CONTROLLED DOCUMENT.		DWN: G.W.ROBLEWSKI 17 JUN 2008		G.W.ROBLEWSKI 17 JUN 2008		T.SCHNURPFEL 17 JUN 2008		T.SCHNURPFEL 17 JUN 2008		T.SCHNURPFEL 17 JUN 2008	
NAME: SOCKET HOUSING SERIES HA 64		CAGE CODE: 00779		DRAWING NO: 1102011		RESTRICTED TO: -		SCALE: 5:1		SHEET 1 OF 1	
CUSTOMER DRAWING		REV: A2		DATE: 29 JAN 2015		DWN: GSK		APVD: MKO		SCALE: 5:1	