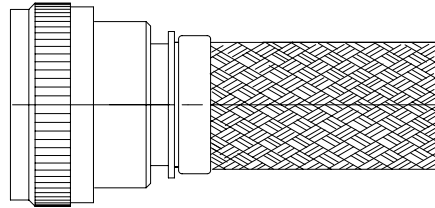


REVISIONS			
LTR	DESCRIPTION	DATE	APPROVED
G	REVISED PER ECN AD93084	05-24-93	



CODE 30, SHIELDED STRAIGHT ADAPTER

NOTES:

1. THIS PRODUCT IS DESIGNED TO TERMINATE A HEAT SHRINKABLE LIPPED BOOT TO A CONNECTOR.
2. FOR ADDITIONAL DIMENSIONS, ORDERING INFORMATION AND MODIFICATIONS, SEE CH00-0250-004.
3. ADAPTER TO BE PERMANENTLY MARKED WITH CODE IDENT. NO. AND PART NO. (E.G.: 06090-211M512-19B08).
- ④ FOR LARGER ENTRY SIZES, A 2 PIECE ADAPTER (TYPE II) IS SUPPLIED.
- ⑤ BRAID TERMINATION RING MAY BE SUPPLIED AS TINEL-LOCK SHAPE MEMORY RING AT MANUFACTURER'S OPTION.
- ⑥ ADAPTER MATES TO MIL-C-28840, M28840/10, /11, /14 & /16 CONNECTORS.

If this document is printed it becomes uncontrolled.
Check for the latest revision.

SPECIFICATION CONTROL DRAWING

UNLESS OTHERWISE SPECIFIED
DIMENSIONS ARE IN INCHES.
METRIC DIMENSIONS ARE
IN BRACKETS.

DECIMALS
.XXX ± — [mm]
.XX ± — [mm]
.X ± — [mm]

ANGLES
.X ± —

DRAWN J. BITTER	DATE 05-24-93
CHECKED	DATE
APPROVED W. C. GAY	DATE 06-28-93
APPROVED	DATE
CAD NAME \ACAD12\211M5XX	
THIRD ANGLE PROJECTION	

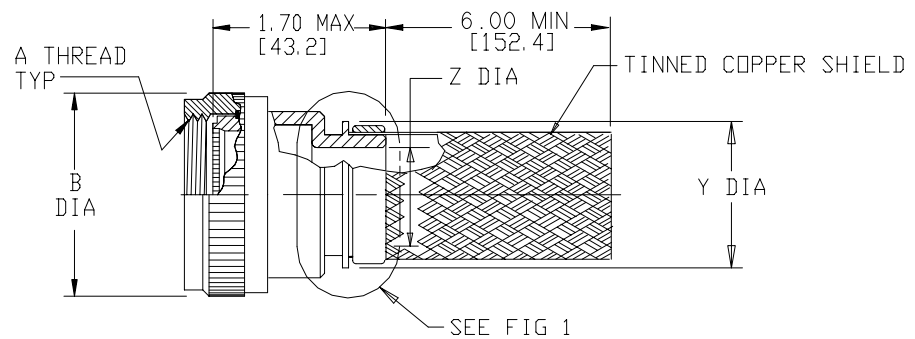


Tyco Electronics Corporation
300 Constitution Drive
Menlo Park, CA. 94025 U.S.A.

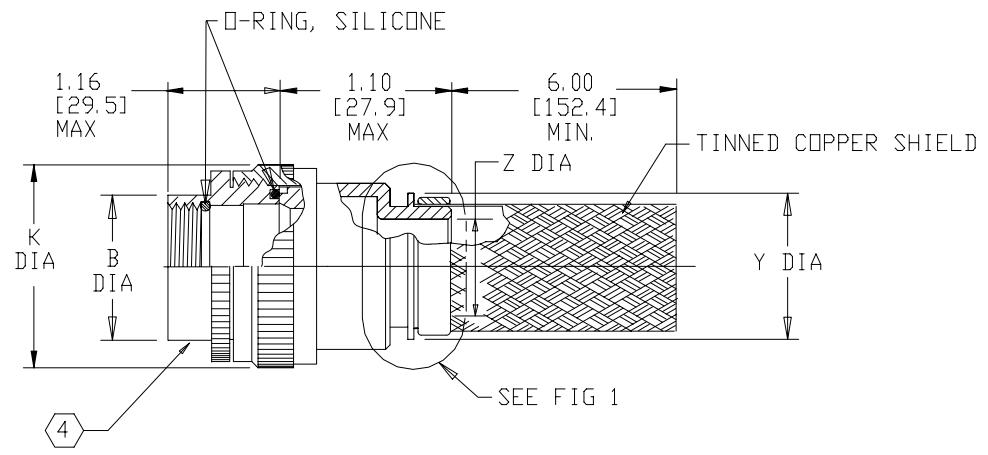
Raychem

TITLE
ADAPTER, SHIELD, STRAIGHT
CODE 30

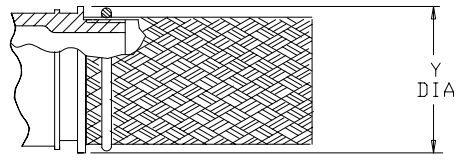
SIZE A	CODE IDENT. NO. 06090	DWG. NO. 211M5XX	REV G
DO NOT SCALE THIS DWG			SHEET 1 OF 3



STRAIGHT ADAPTER-TYPE I



STRAIGHT ADAPTER-TYPE II



TINEL-LOCK TERMINATION

FIG 1 (5)

If this document is printed it becomes uncontrolled.
Check for the latest revision.

SIZE	CODE IDENT. NO.	DWG. NO.	REV
A	06090	211M5XX	G
DO NOT SCALE THIS DWG		CAD NAME \ACAD12\211M5X-2	SHEET 2 OF 3

TABLE I



BASE PART NO.	SHELL SIZE 		MAX ENTRY SIZE TYPE I 	A THREAD CLASS 2B	B DIA MAX
	COM'L	MIL			
211M510	11	A	05	.750-20 UNEF	1.03 [26.2]
211M512	13	B	08	.875-20 UNEF	1.15 [29.2]
211M514	15	C	10	1.000-20 UNEF	1.27 [32.3]
211M516	17	D	12	1.125-18 UNEF	1.39 [35.3]
211M518	19	E	14	1.250-18 UNEF	1.52 [38.6]
211M522	23	F	16	1.438-18 UNEF	1.71 [43.4]
211M524	25	G	18	1.562-18 UNEF	1.83 [46.5]
211M528	29	H	22	1.875-16 UN	2.15 [54.6]
211M532	33	J	24	2.062-16 UN	2.33 [59.2]

TABLE II

ENTRY SIZE	K MAX	Z ±.020 [±0.51]	Y DIA MIN
03	NA	.187 [4.75]	.393 [9.98]
04	NA	.250 [6.35]	.456 [11.58]
05	NA	.312 [7.92]	.515 [13.08]
06	.80 [20.3]	.375 [9.53]	.581 [14.76]
07	.92 [23.4]	.438 [11.13]	.643 [16.33]
08	.92 [23.4]	.500 [12.70]	.705 [17.91]
09	1.18 [30.0]	.562 [14.27]	.705 [17.91]
10	1.18 [30.0]	.625 [15.88]	.831 [21.11]
11	1.18 [30.0]	.688 [17.48]	.893 [22.68]
12	1.35 [34.3]	.750 [19.05]	.953 [24.21]
13	1.41 [35.8]	.812 [20.62]	.953 [24.21]
14	1.41 [35.8]	.875 [22.23]	1.081 [27.46]
15	1.60 [40.6]	.938 [23.83]	1.143 [29.03]
16	1.60 [40.6]	1.000 [25.40]	1.205 [30.61]
18	1.66 [42.2]	1.125 [28.58]	1.381 [35.08]
20	2.04 [51.8]	1.250 [31.75]	1.506 [38.25]
22	2.23 [56.6]	1.375 [34.93]	1.631 [41.43]
24	2.23 [56.6]	1.500 [38.10]	1.756 [44.60]
28	2.48 [63.0]	1.750 [44.45]	2.004 [50.90]

If this document is printed it becomes uncontrolled.
Check for the latest revision.

SIZE A	CODE IDENT. NO. 06090	DWG. NO. 211M5XX	REV G
DO NOT SCALE THIS DWG		CAD NAME \ACAD12\211M5X-3	SHEET 3 OF 3