



389

SPRING LOADED



LH/RH

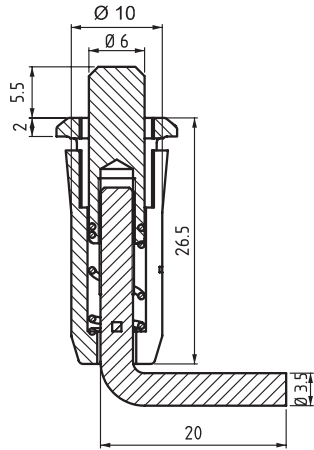
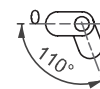


- For internally mounted doors
- Spring-loaded hinge for easy door removal
- Clip fixing for easy assembly
- Available as spring-loaded, up-and-down pair; or spring-loaded up hinge and fixed bottom hinge

**MATERIAL**

BODY: Polyamide DIN-EN ISO1043-1 PA6 GFR 30  
 PIN: Steel

Hinge Rotation Angle



32003192

BOTTOM PIVOT PIN

