

CATALOG NO.	BOEING PART NUMBER	MATING END SIZE	TABLE OF DIMENSIONS (AFTER PLATING)													COLOR BAND			WIRE ACCOMMODATE AWG	CRIMP TOOLING		
			ØA	ØB	ØC ±.0015 ±[0.038]	ØE ±.001 ±[0.03]	ØG	ØH ±.003 ±[0.08]	(L)	M ±.002 ±[0.05]	N	X ±.002 ±[0.05]	RAD Y	Z ±.003 ±[0.08]	A	B	C	SOURIAU		MIL-C-22520 CRIMP TOOL	POSITIONER	
RBM20M-1DJ5	S280W 555-920	16	.077 ±.001 [1.96 ±0.03]	.049 ±.001 [1.24 ±0.03]	.1015 [2.578]	.062 [1.57]	.062 ±.002 [1.57 ±0.05]	.029 [0.74]	.418 [10.62]	.213 [5.41]	.1715 ±.0145 [4.356 ±0.368]	.031 [0.79]	.020 [0.51]	.060 [1.52]	RED	RED	RED	20-24	MIL-C-22520/1-01	MIL-C-22520/1-02 RED		
RBM18M-1DJ5	S280W 555-918	16	.0796 ±.0008 [2.0218 ±0.020]	.0544 ±.0008 [1.382 ±0.020]			.065 ±.002 [1.65 ±0.05]							RED	WHITE	RED	18-20	MIL-C-22520/1-01	MIL-C-22520/1-02 RED			
RBM16V-1DJ5	S280W 555-916	14	.103 ±.002 [2.62 ±0.05]	.067 ±.001 [1.70 ±0.03]	.1315 [3.340]	.077 [1.96]	.085 [2.16]	.039 [0.99]	.501 [12.73]	.296 [7.52]	.2655 ±.0155 [6.744 ±0.394]	.046 [1.17]	.030 [0.76]	.076 [1.93]	BLUE	BLUE	BLUE	16-20	MIL-C-22520/1-01	MIL-C-22520/1-02 BLUE		

THIS DRAWING IS A CONTROLLED DOCUMENT FOR SOURIAU USA, INC. IT IS SUBJECT TO CHANGE WITHOUT NOTIFICATION. CONTACT THE DOCUMENT CONTROL CENTER FOR THE LATEST REVISION.

NOTES: UNLESS OTHERWISE SPECIFIED

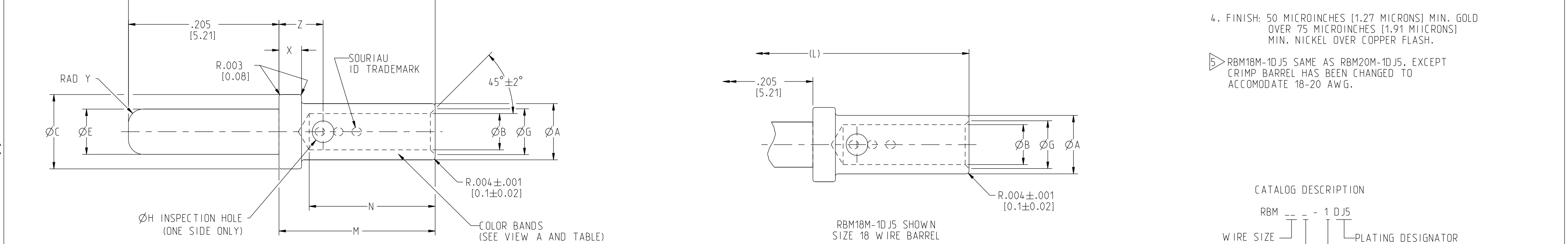
1 THESE CONTACTS CONFORM TO MIL-C-39029/1-\_\_\_ EXCEPT FOR COLOR BANDING.

2 COLOR BANDS IDENTIFY THE WIRE SIZE ACCOMMODATION OF THIS ITEM WHICH CONFORMS TO BOEING STANDARD S280W555-9\_\_\_.

3. MATERIAL: BRASS.

4. FINISH: 50 MICROINCHES [1.27 MICRONS] MIN. GOLD OVER 75 MICROINCHES [1.91 MICRONS] MIN. NICKEL OVER COPPER FLASH.

5 RBM18M-1DJ5 SAME AS RBM20M-1DJ5, EXCEPT CRIMP BARREL HAS BEEN CHANGED TO ACCOMMODATE 18-20 AWG.



CATALOG DESCRIPTION

RBM - - - 1 DJ5

WIRE SIZE

MATING END SIDE

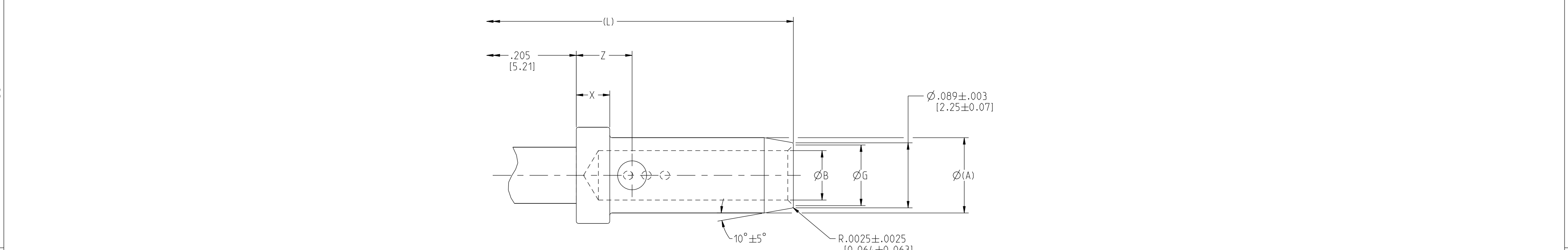
M: Ø.062

V: Ø.077

PLATING DESIGNATOR

VARIATION

-1: STANDARD



LINEAR MEASURE: $\frac{\text{INCH}}{\text{mm}}$ INCH [mm] THIRD ANGLE PROJECTION 		DRAWING TITLE <b>CRIMP PIN CONTACTS</b>	
TOLERANCES UNLESS OTHERWISE SPECIFIED No. OF PLACES INCH [mm] ONE PLACE ±.1 [±3] TWO PLACES ±.02 [±0.5] THREE PLACES ±.010 [±0.25] ANGLES ±1°		CAT NO. <b>RBM - - -1DJ5 (SEE TABLE)</b> CAGE NO: 09922 SIZE: C	
CUSTOMER		SOURIAU WWW.SOURIAU.COM	
INTERPRET THIS DRAWING IN ACCORDANCE WITH ASME Y14.5M - 1994.		APPROVAL DRAWN: RSK 07-24-13 CHKD: SDH 07-24-13 DSGN: RS 04-08-92 MFG: DH 07-24-13 QC: BB 07-24-13 DRAWING SCALE: 10:1 DRAWING NO. SE94890 REV F	
1 OF 1		PRO-E	