

4

3

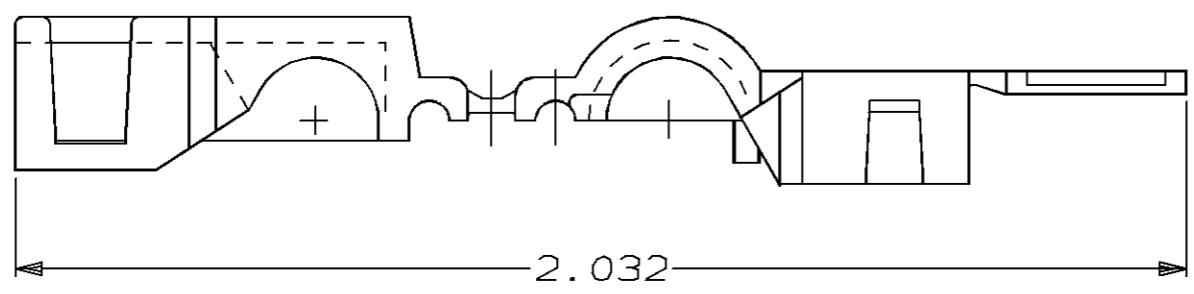
2

1

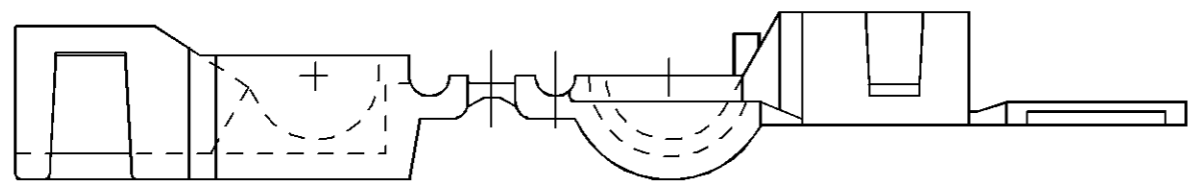
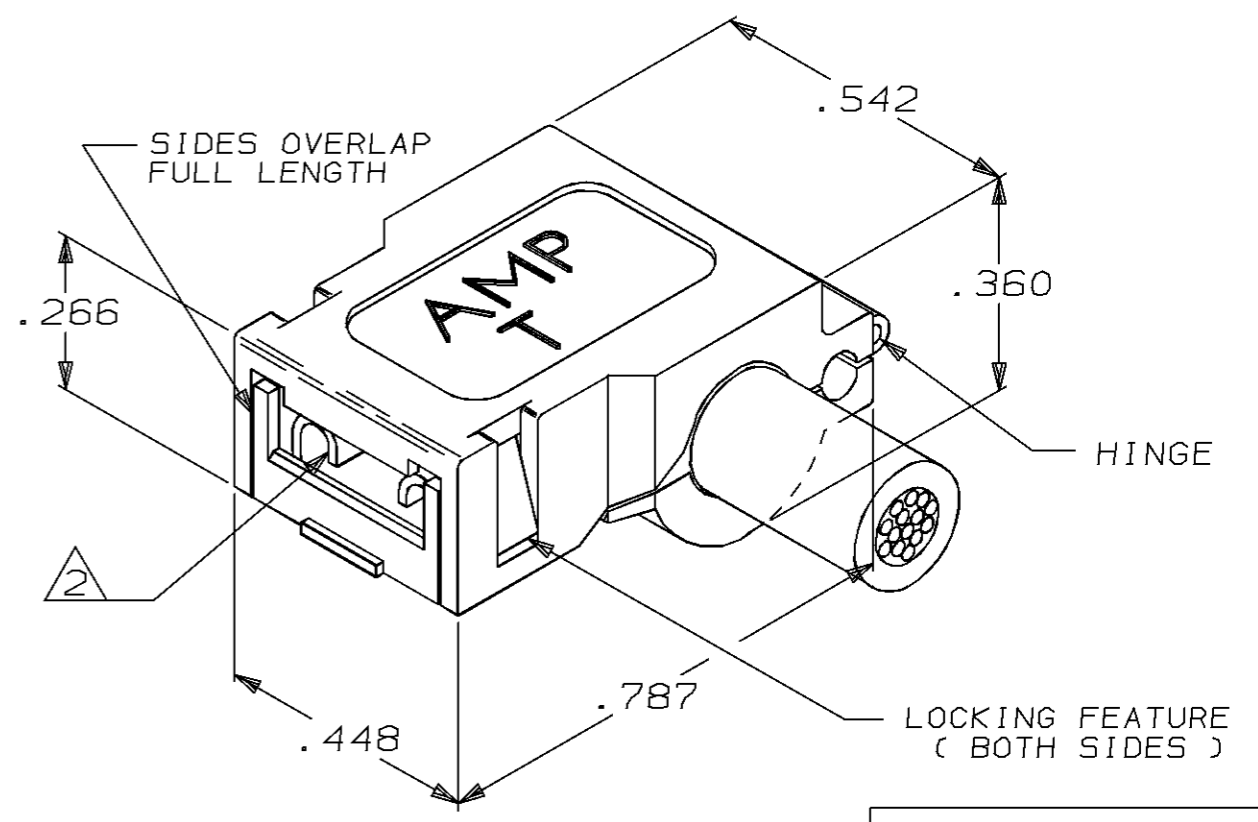
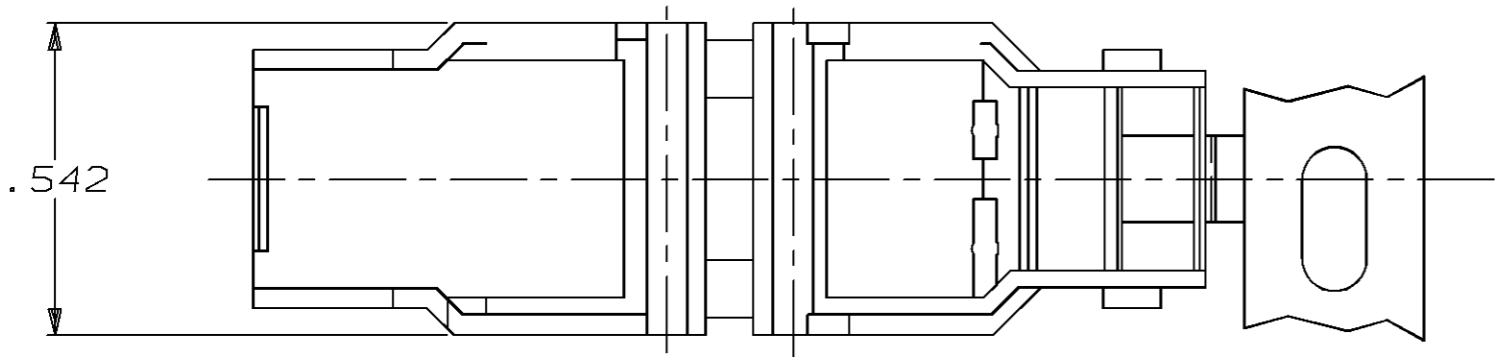
THIS DRAWING IS UNPUBLISHED. RELEASED FOR PUBLICATION ,19 .

© COPYRIGHT 19 BY AMP INCORPORATED. ALL RIGHTS RESERVED.

LOC	DIST	REVISIONS				
P	LTR	DESCRIPTION	DATE	DWN	APVD	
AF	50	P				
		P	REDRAWN PER 0L10-0046-97	2/11/97	JR RB	



- 1 CONTINUOUS STRIP ON REELS.
- 2 THIS PART ACCEPTS .250 SERIES FASTON FLAG RECEPTACLES PART NUMBERS 41531, 41532, 42511, 60641 AND 60645.
- 3 SEE CP-23587 FOR RECOMMENDED TAB DETAILS.
- 4 UL RATING OF 125°C
- 5 MAX INSULATION IS .210.



1-480298-0
PART NO.

THIS DRAWING IS A CONTROLLED DOCUMENT.		DWN	JR RUTH	1/24/97	AMP AMP Incorporated Harrisburg, PA 17105-3608
		CHK	MS FEHER	1/24/97	
DIMENSIONS: INCHES		APVD	R BEAVER	1/24/97	NAME
TOLERANCES UNLESS OTHERWISE SPECIFIED:		PRODUCT SPEC		INSULATION POD, AMPIP-POST	
0 PLC ±-		APPLICATION SPEC		SIZE CAGE CODE DRAWING NO RESTRICTED TO	
1 PLC ±-		WEIGHT		A3 00779 C-480298	
2 PLC ±-		CUSTOMER DRAWING		SCALE 4:1 SHEET 1 OF 1 REV P	
3 PLC ±.015					
4 PLC ±-					
ANGLES ±-					
MATERIAL 6/6 NYLON		FINISH NATURAL			