

THIS DRAWING IS UNPUBLISHED. RELEASED FOR PUBLICATION  
 © COPYRIGHT - By - ALL RIGHTS RESERVED.

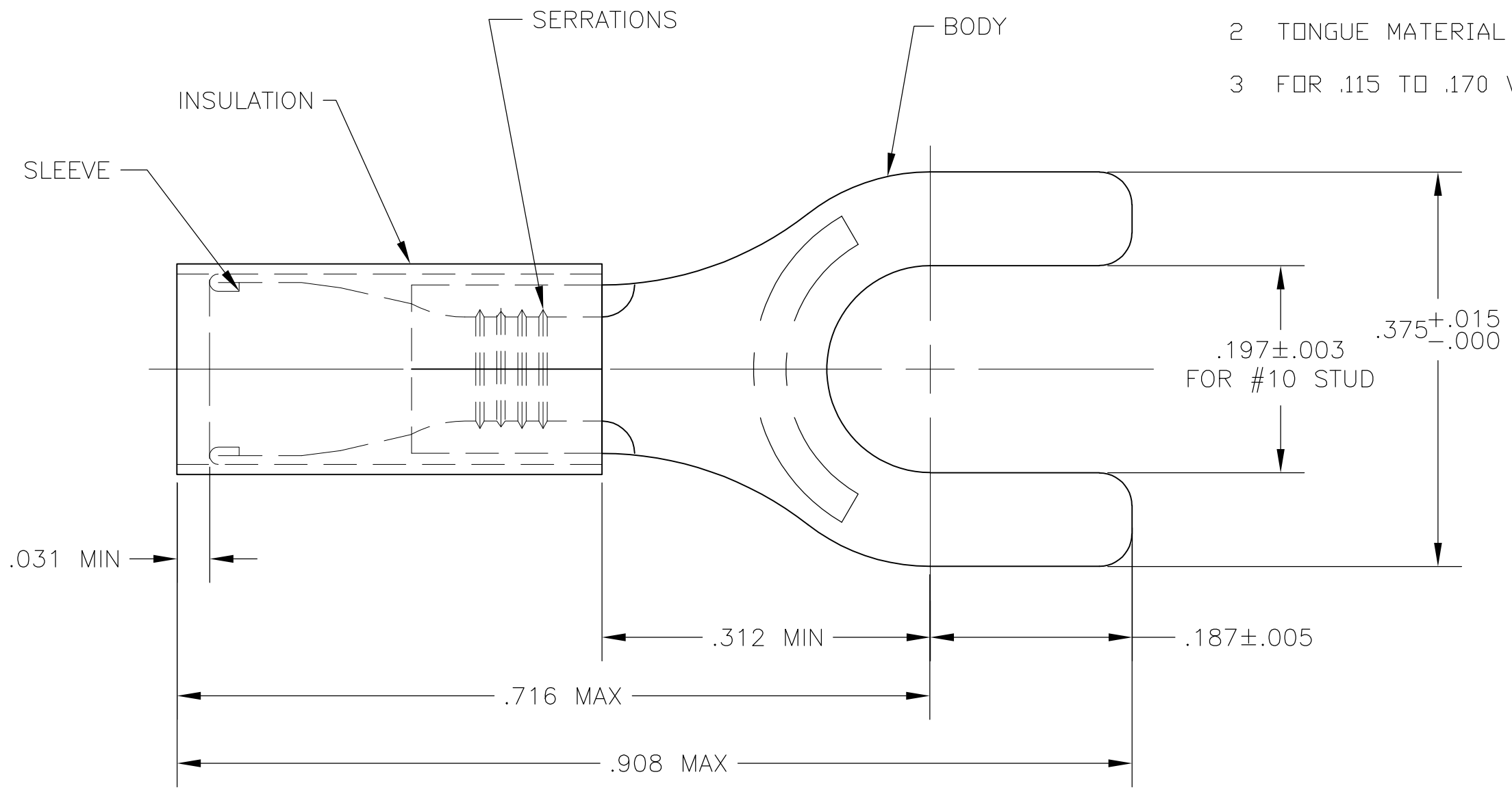
LOC	DIST	REVISIONS					
		P	LTR	DESCRIPTION	DATE	DWN	APVD
G	14		H1	REVISED PER ECO-11-004917	11MAR11	RK	HMR

PART NO	PACKAGE TYPE	QTY
8-32060-1	LOOSE PIECE, BOX	100

1 MATERIAL: BODY & SLEEVE - COPPER PER ASTM B152  
 TIN PLATE PER ASTM B545  
 INSULATION - NYLON, COLOR- BLUE

2 TONGUE MATERIAL THK IS .031±.002

3 FOR .115 TO .170 WIRE INSULATION DIA.



1	32060 ON TAPE	2-32060-1
1	WIRE TERMINAL	32060
QTY	DESCRIPTION	PART NO

THIS DRAWING IS A CONTROLLED DOCUMENT.		DWN	jr_ruth	10NOV04
DIMENSIONS: INCHES		CHK	T MICHELUTTI	10NOV04
TOLERANCES UNLESS OTHERWISE SPECIFIED:		APVD	T MICHELUTTI	10NOV04
0 PLC ± -		PRODUCT SPEC	-	
1 PLC ± -		APPLICATION SPEC	-	
2 PLC ± -		WEIGHT	-	
3 PLC ± .008		CUSTOMER DRAWING		
4 PLC ± -		SCALE	8:1	
ANGLES ± 5°		SHEET	1 OF 1	
MATERIAL	1	FINISH	1	

<b>STE</b> TE Connectivity			
NAME WIRE TERMINAL, PIDG - SPADE, WIRE SIZE : 16-14			
SIZE	CAGE CODE	DRAWING NO	RESTRICTED TO
A3	00779	C-32060	-
SCALE		REV	
8:1		H1	