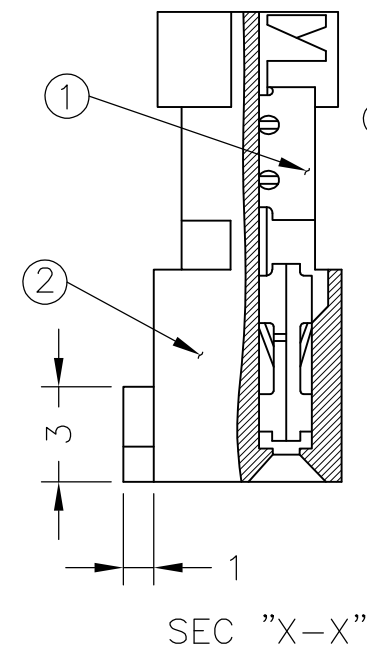
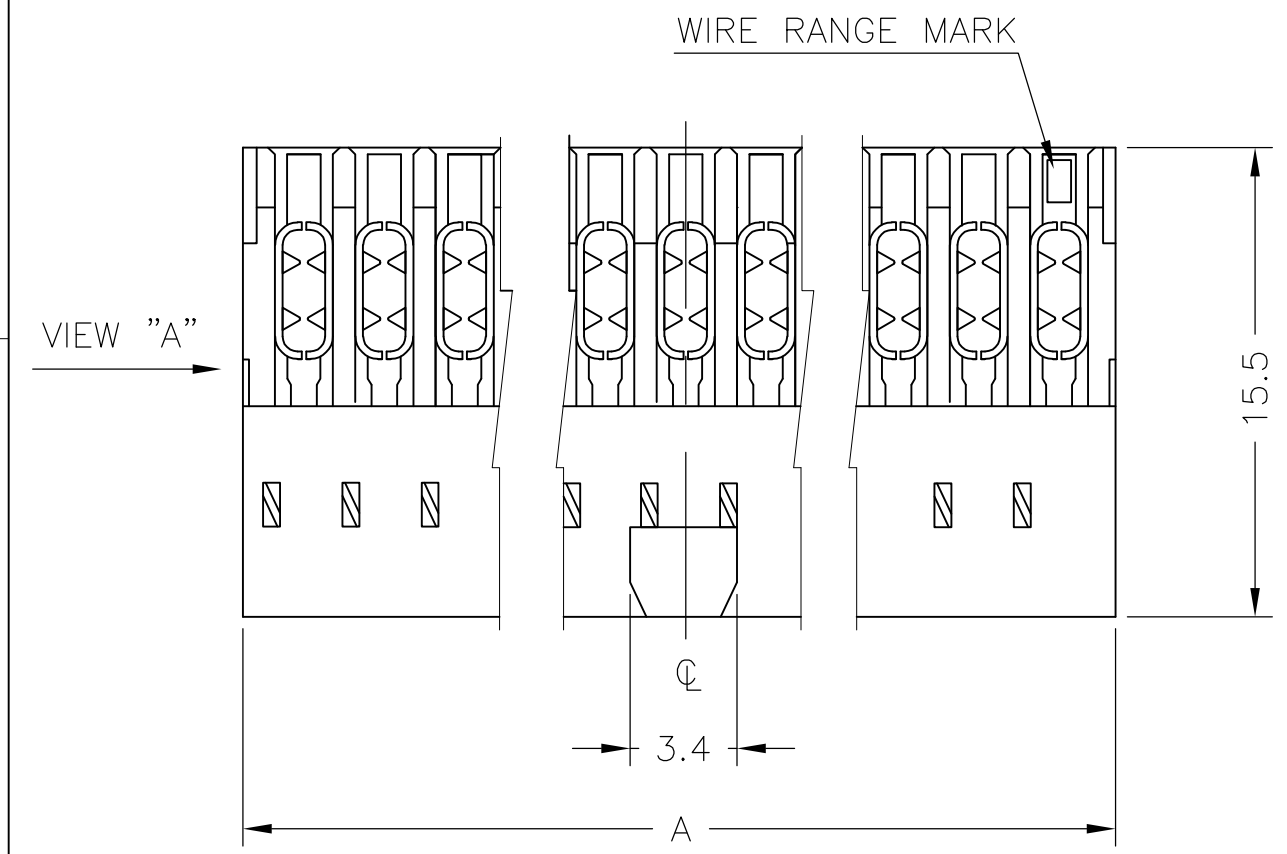


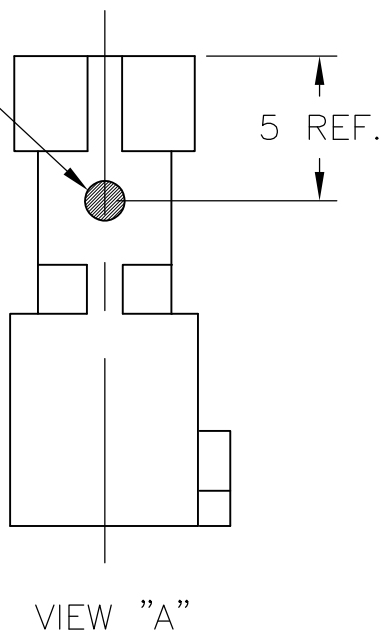
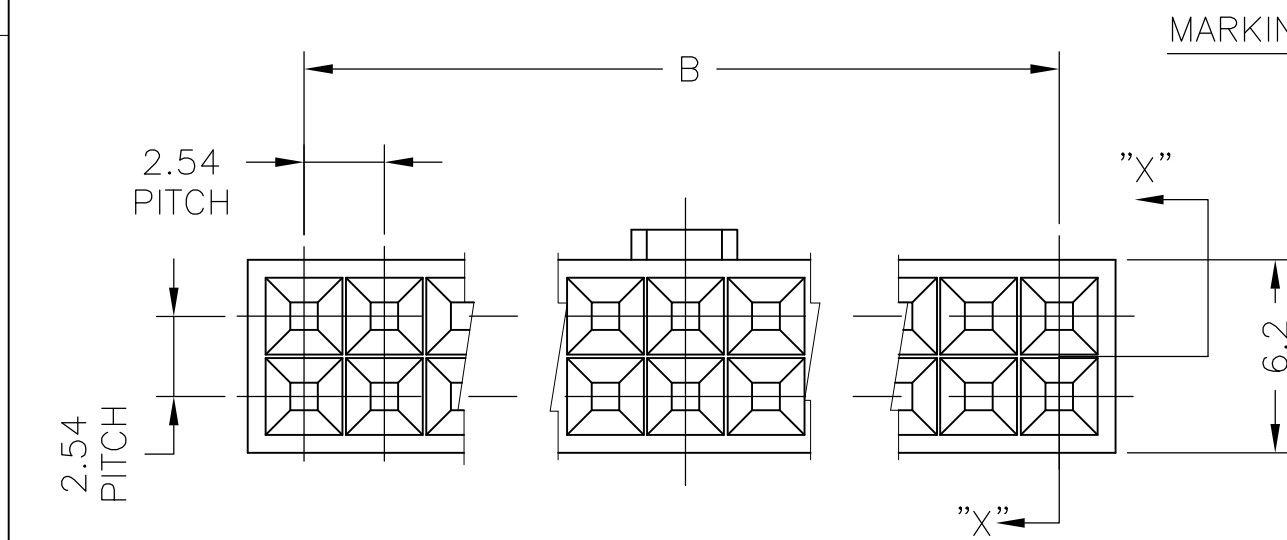
THIS DRAWING IS UNPUBLISHED. RELEASED FOR PUBLICATION  
 © COPYRIGHT - By -Tyco Electronics Japan G.K. ALL RIGHTS RESERVED.

LOC	DIST	REVISIONS					
		P	LTR	DESCRIPTION	DATE	DWN	APVD
J	-		F	REVISED PER ECR-12-007917	13SEP2012	Q.J	E.T



MAKING COLOR $\Delta_3$	WIRE SIZE		WIRE RANGE	DIM		POS	P/N
	AWG	INS.DIA		"B"	"A"		
YELLOW	#28~#30	1.27 MAX.	1	34.34	30.48	26	175598-1
YELLOW	#28~#30	1.27 MAX.	1	44.50	40.64	34	175598-2
BRIGHT BLUE	#24~#26	1.27 MAX.	2	44.50	40.64	34	175598-3
BRIGHT BLUE	#24~#26	1.27 MAX.	2	87.68	83.32	68	175598-4
BRIGHT BLUE	#24~#26	1.27 MAX.	2	21.64	17.78	16	175598-5
YELLOW	#28~#30	1.27 MAX.	1	21.64	17.78	16	175598-6
YELLOW	#28~#30	1.27 MAX.	1	87.68	83.32	68	175598-7

NOTES  
 $\Delta_1$  CONTACT FINISH: NICKEL UNDER PL.  
 Au PL IN CONTACT AREA  
 TIN PL. IN INSULATION DISPLACEMENT



COPPER ALLOY	REC. CONTACT	2
THERMOPLASTIC POLYESTER (BLACK)	REC. HOUSING	1
MATERIAL	NAME	NO.

THIS DRAWING IS A CONTROLLED DOCUMENT.		DWN H.AMIKURA 25SEP92	TE Connectivity			
DIMENSIONS: mm		CHK T.SASAKI 06OCT92				
TOLERANCES UNLESS OTHERWISE SPECIFIED:		APVD Y.TANIKAWA 25SEP92	NAME			
0 PLC ± - 1 PLC ± 0.5 2 PLC ± - 3 PLC ± - 4 PLC ± - ANGLES ± 1°		PRODUCT SPEC -	REC. ASSY			
MATERIAL SEE NOTE		FINISH -	S-200 CONN, SYSTEM (W-T-B)			
		APPLICATION SPEC -	SIZE	CAGE CODE	DRAWING NO	RESTRICTED TO
		WEIGHT -	A3	00779	C-175598	-
		CUSTOMER DRAWING	SCALE 4:1	SHEET 1 OF 1	REV F	