

Ratings

Voltage: 300 V
 Temperature: 80 °C

Conductors

Number: 2
 Size: 28 AWG, 0.089 mm²
 Material: bare copper strands
 Strand size: Ø 0.127 mm
 Strand count: 7
 Resistance at 20 °C: 240 ohm/km maximum

Insulator

Material: PVC, 80 °C
 Color: red, white
 Outer diameter: 0.85 ± 0.10 mm

Shield

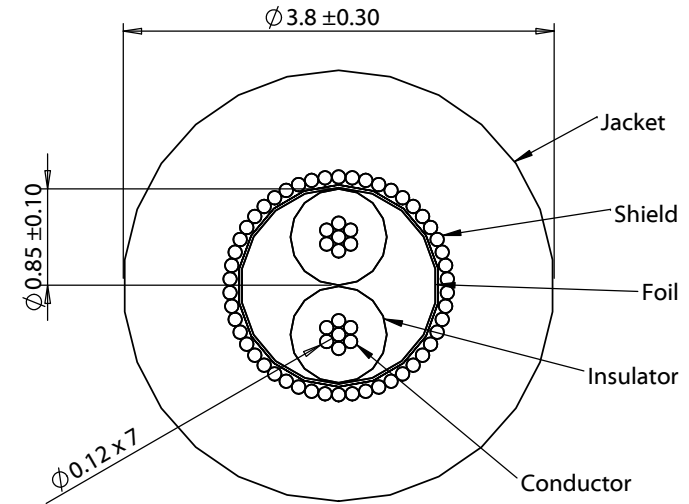
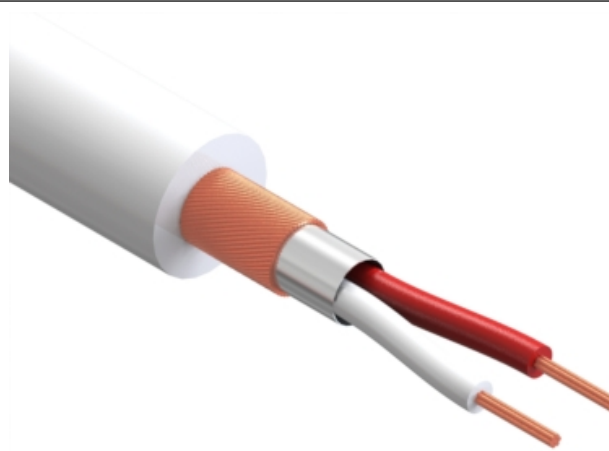
Type: spiral and foil
 Material: bare copper and aluminum mylar
 Strand size: Ø 0.127 mm
 Coverage: 100%

Outer jacket

Material: PVC, 80 °C
 Color: white
 Diameter: 3.8 ± 0.30 mm

Tests

Dielectric strength (Kv/min): 2.0
 Flammability: VW-1



REVISION	DATE	DESCRIPTION
A	3/28/12	Initial release
A1	3/20/2014	updated shielding and resistance rating
A2	10/15/2015	updated spec format and tolerances

PREPARED:

VERIFIED:

DIMENSIONS ARE IN MILLIMETERS

TOLERANCES:
 X: ± 0.5 mm
 X.X: ± 0.3 mm
 X.XX: ± 0.05 mm

NOTES
 RoHS and REACH compliant

Function test: no open, no short circuit, no intermittent

DESCRIPTION:
 Wire, 2C BC, 28 AWG, 300V, 80C, 3.8 mm, foil + shield, PVC, white

TENSILITY

20802 Sockeye Place #130
 Bend, OR 97701 USA
 tel 541.323.3228 fax 541.323.4202
 800 877.670.7118 www.tensility.com

SIZE A	PART NUMBER 30-00178
SCALE: 5:1	WEIGHT:
SHEET 1 OF 1	