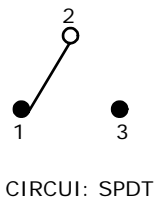
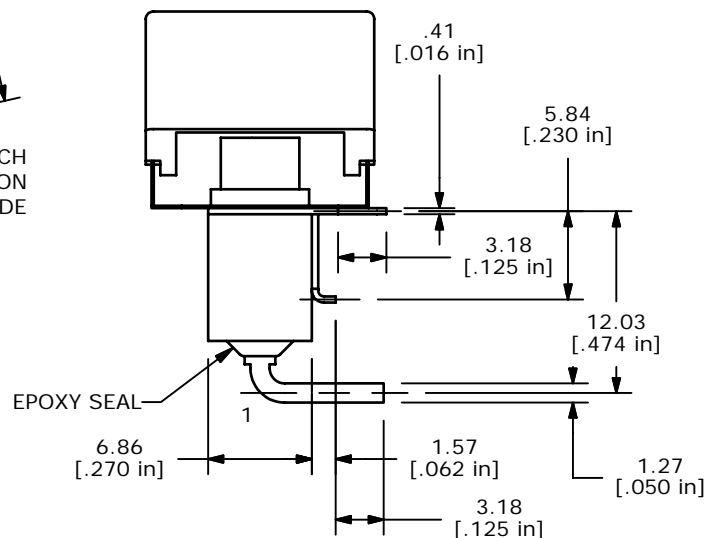
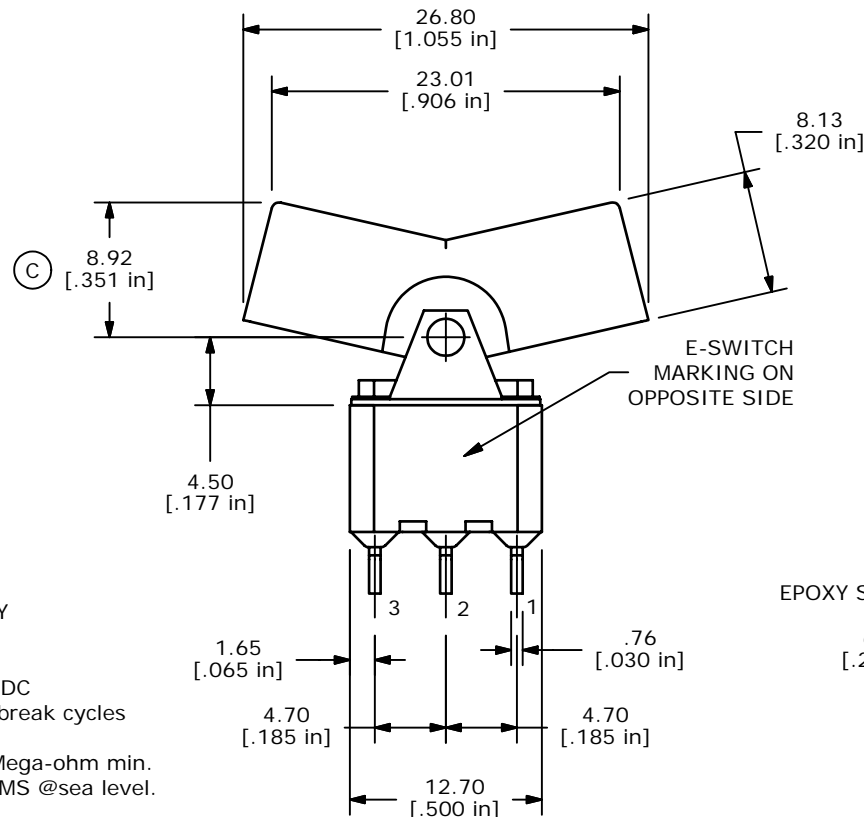


ISOMETRIC

SWITCH FUNCTION		
POS. 1	POS. 2	POS. 3
ON	NONE	ON
2-3	N/A	2-1



NOTE:

- ALL DIMENSIONS IN MM [INCH]
- GENERAL TOLERANCE: X.X=±0.4
X.XX=±0.25
- TERMINAL NUMBERS FOR REF ONLY
- PLATING MATERIAL: SILVER
- RATING: 2 AMPS @250VAC
5 AMPS @120VAC OR 28VDC
- ELECTRIC LIFE: 40,000 make-and-break cycles at full load.
- INSULATION RESISTANCE: 1,000 Mega-ohm min.
- DIELECTRIC STRENGTH: 1,000 V RMS @sea level.
- OPERATING TEMP.: -30°C to 85°C
- ▲DENOTES CRITICAL PARAMETER.
- 2002/95/EC (ROHS) COMPLIANT

C	15507	ADD ROHS NOTE, CHANGE DIM FROM 9.28	11/8/05	PH
B	15478	POS. 3 FUNCTION TO ON FROM MOM	10/31/05	PH
A	15343	RELEASED FOR PRODUCTION	10/4/05	PH
REV	PCR NO	DESCRIPTION	DATE	BY



TITLE 300SP1J3REDM6QE

SCALE	DATE	DR	DWG	REV
2:1	10/4/2005	PH	T311062	C

THE INFORMATION CONTAINED IN THIS DOCUMENT IS PROPRIETARY TO E-SWITCH AND IS NOT TO BE COPIED OR TRANSFERRED