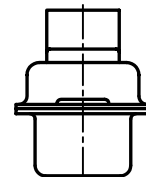
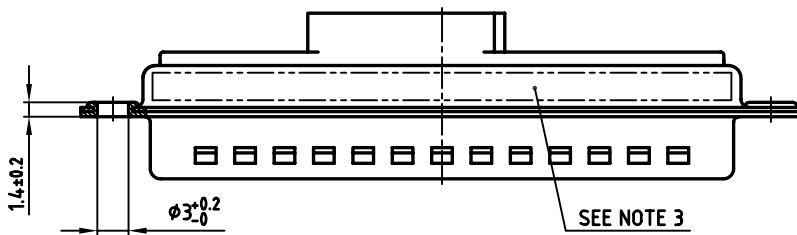
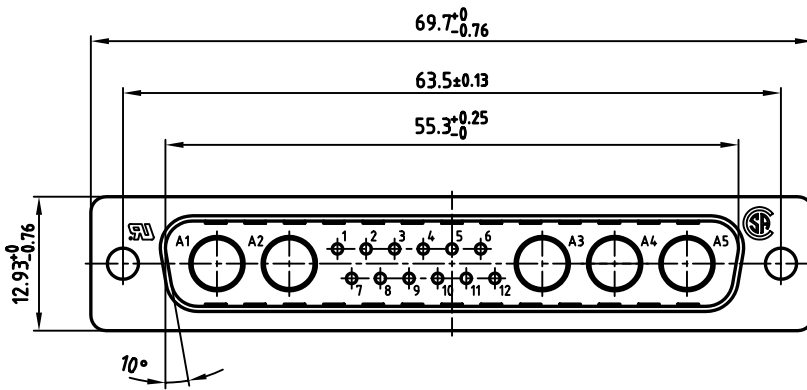
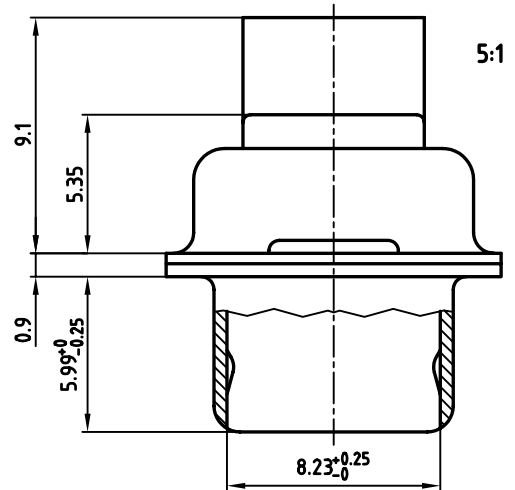


used for: D-SUB COMBINATION CRIMP



NOTES:

1. METALSHELLS: STEEL; min. 320µ" TIN
2. INSULATORS: PBT GF UL 94 V-0, BLACK

3. CONNECTOR IS PART MARKED: 3017W5P XK99A10X CONEC ABC



APPROVAL # FREIGABE # DEBLOCAGE # AUTORIZACION # APPROVAL	
CUSTOMER APPROVAL DATE:	
NAME:	TITLE:
COMPANY NAME:	
APPROVAL # FREIGABE # DEBLOCAGE # AUTORIZACION # APPROVAL	

THIS DRAWING MAY NOT BE COPIED OR REPRODUCED IN ANY WAY, AND MAY NOT BE PASSED ON TO A THIRD PARTY, WITHOUT WRITTEN PERMISSION. OWNERSHIP AND COPYRIGHT OF CONEC GmbH. DO NOT ALTER CAD DRAWING BY HAND

rev.	description	date	name

tolerance	dim. in mm	
2005		
drawn	date	name
appd.	21.07.	Lehmenkühler
norm		Mickenbecker
d-old		

scale:	2:1 (5:1)	
material:	SEE NOTES	
title:	D-SUB COMBINATION MALE 17W5P CRIMP STYLE	
dwg no:	AutoCAD 2004	DIN-A
	13K1A1406	3
part no:	3017W5P XK99A10X	
		sh: 1/1