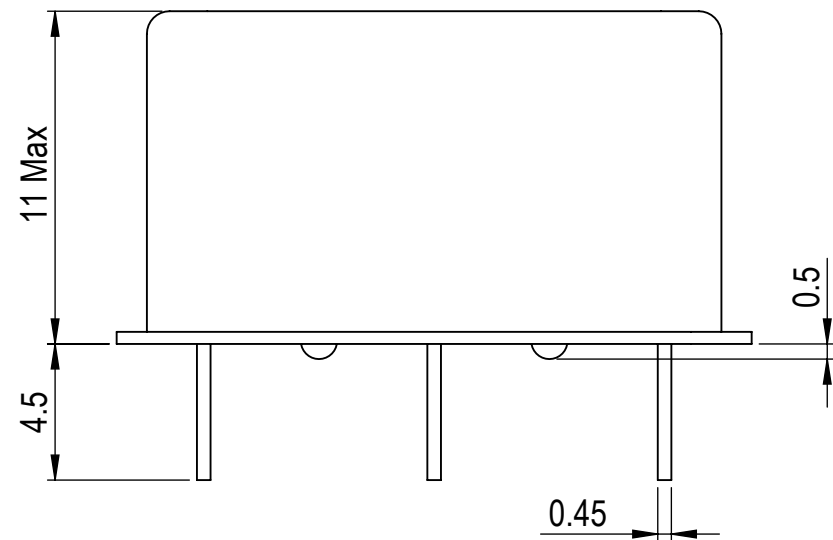
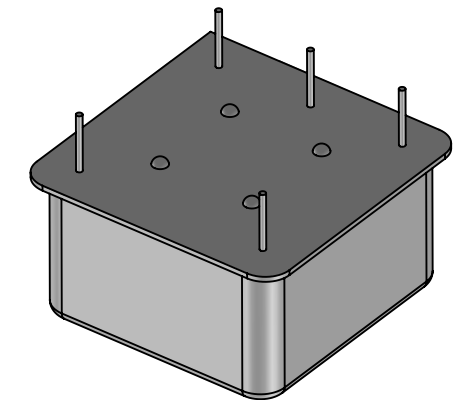
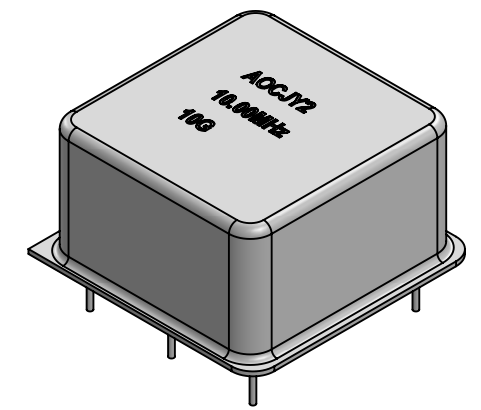



Bottom View



PIN	FUNCTION:
1	Power Supply
2	Output
3	GND
4	Control Voltage
5	Reference Voltage/NC

UNLESS OTHERWISE SPECIFIED: DIMENSIONS ARE IN MM SURFACE FINISH: TOLERANCES: LINEAR: ANGULAR:				FINISH:		DEBUR AND BREAK SHARP EDGES		DO NOT SCALE DRAWING		REVISION -	
DRAWN XXXXXX				SIGNATURE		DATE		 30332 Esperanza, Rancho Santa margarita, California 92688			
CHK'D XXXXXX								TITLE: OVEN CONTROLLED CRYSTAL OSCILLATOR			
APPV'D								DWG NO. AOCJY2		A3	
MFG								SCALE:4:1		SHEET 1 OF 1	
Q.A						MATERIAL:					
						WEIGHT:					