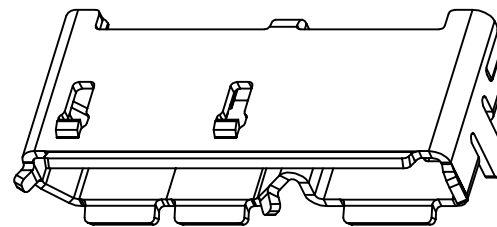
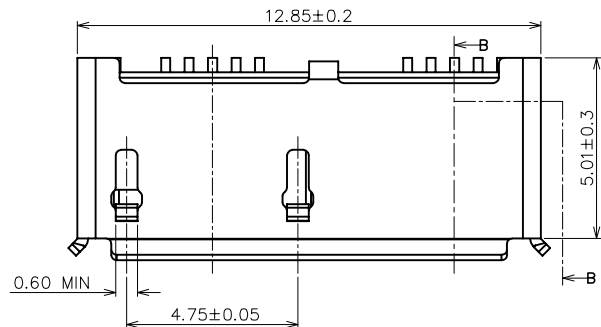


REVISION RECORD		
REV	DESCRIPTION	DRFT



NOTES:

MECHANICAL CHARACTERISTICS:

- 1.MATING FORCE: 3.57 Kg Max.
- 2.UNMATING: 1.0~1.6 Kg.
- 3.LIFE TEST: 10000 CYCLES

ELECTRICAL CHARACTERISTICS:

- 1.CURRENT RATING: 1.5A
- 2.CONTACT RESISTANCE: 30mΩMAX.
- 3.DIELECTRICAL WITHSTANDING: 100V AC/1min.
- 4.INSULATION RESISTANCE: 100MΩmin.

MATERIAL:

- 1.PLASTIC: LCP WITH 30% GF, UL 94V-0, Black.
- 2.TERMINAL: PHOSPHOR BRONZE, 0.2 THICKNESS.
- 3.TERMINAL PLATING:

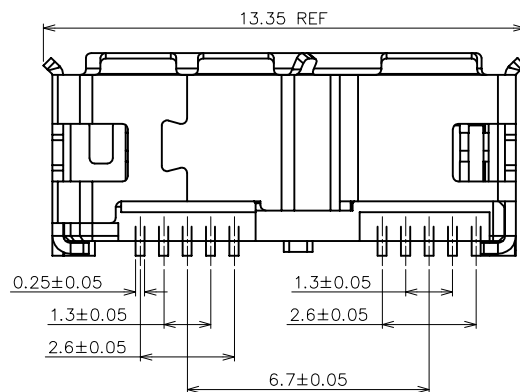
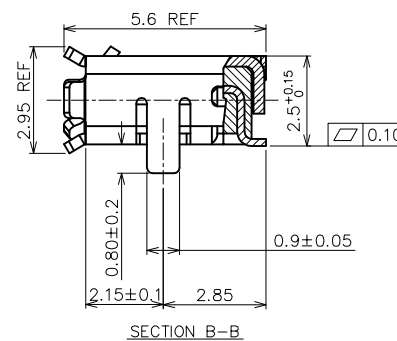
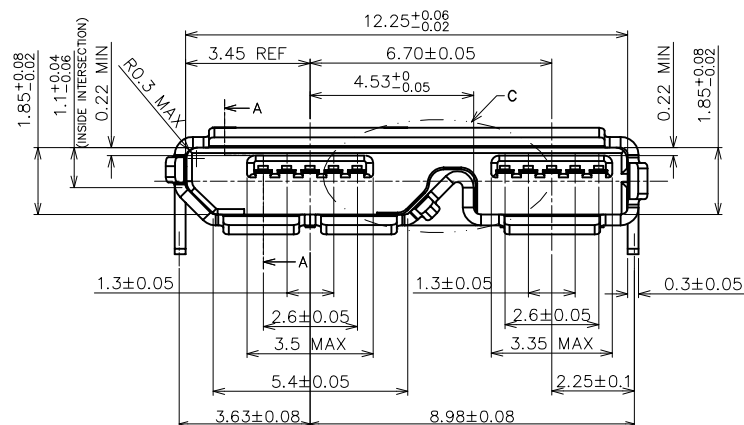
- UNDERPLATING ALL OVER NICKEL 50u"MIN.
- CONTACT PLATING GOLD PLATING 15u"MIN
- OTHER AREA GOLD PLATING 1u"MIN,
- 4.SHIELD: STEEL 0.3 THICKNESS.

5.SHIELD PLATING:

- UNDERPLATING ALL OVER CU 20u"MIN
- PLATING ALL OVER NICKEL 50u"MIN.

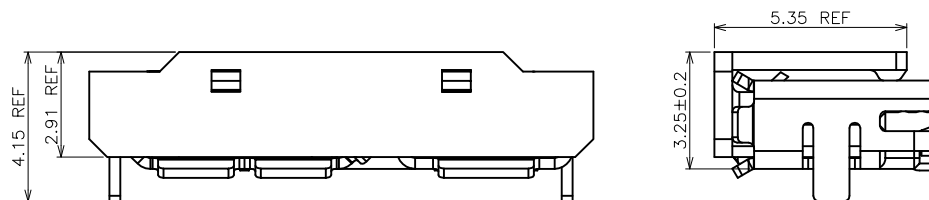
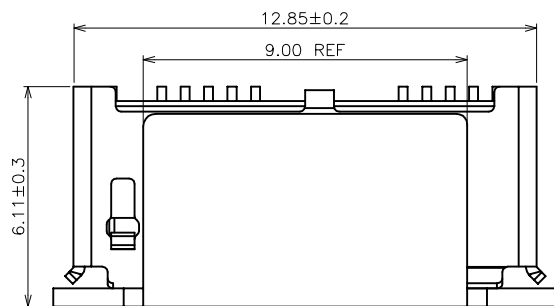
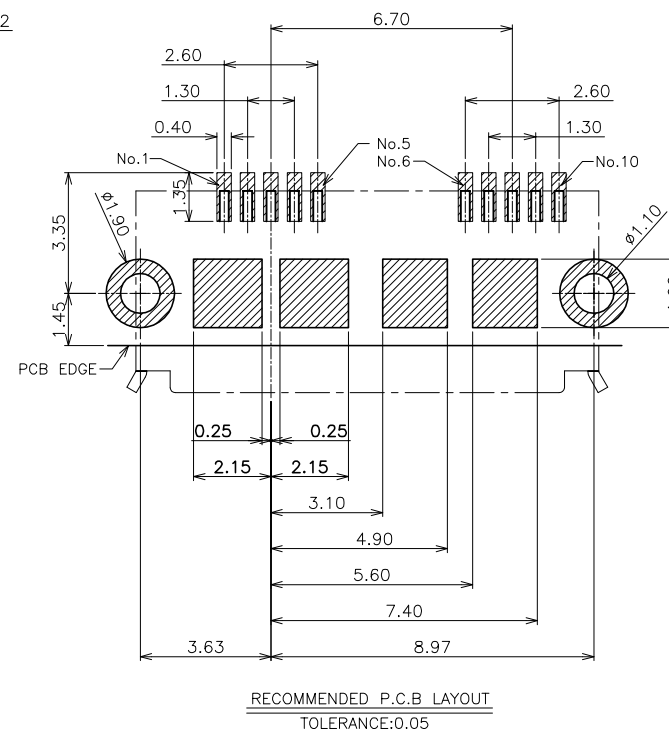
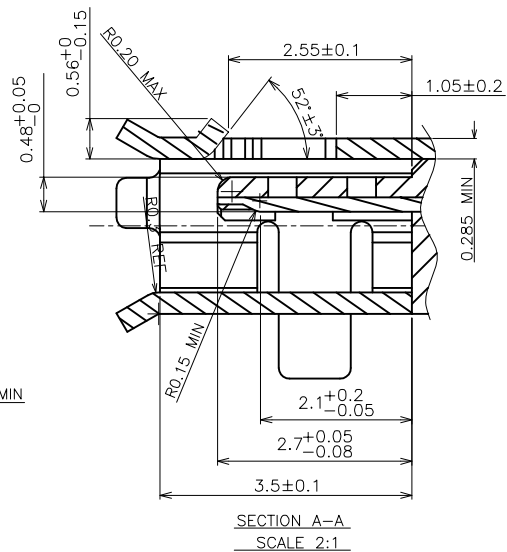
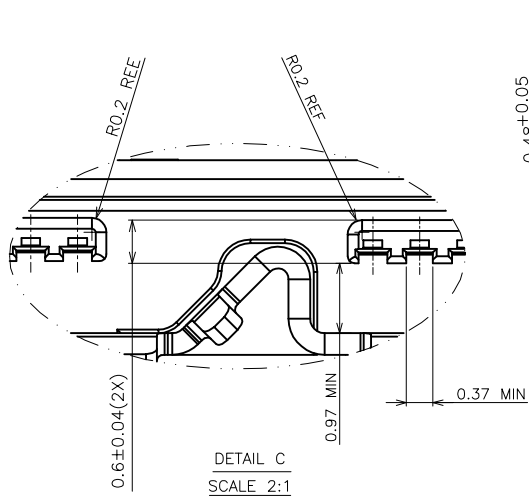
OTHERS:

- 1.OPERATION TEMPERATURE: -20°C to +80°C



DETACHED LISTS	MM (INCH)	DFTD Roy	DATE 11/20/2012		RoHS Compliant	
	TOLERANCES EXCEPT AS NOTED	CHKD	DATE			
	MM	APPVL	DATE	TITLE USB 3.0 MICRO BF SMD TYPE		
	. ± 0.35 .0 ± 0.25 .00 ± 0.15 .000 ± 0.05	MATERIAL :				
ANGLES: X.*±1* X.X*±0.5*	QT'Y :	DRAWING NO. E8110-030-01		SIZE A3	REV 01	
THIRD ANGLE PROJECTION	FINISH :	/PART NO. E8110-030-01		DO NOT SCALE DRAWING		
	SCALE : 1:1	SHEET 1 OF 2				

REVISION RECORD		
REV	DESCRIPTION	DRFT



USB 3.0 Micro BF SMD TYPE+CAP

DETACHED LISTS	MM (INCH)	DFTD Roy	DATE 11/20/2012		RoHS Compliant
	TOLERANCES EXCEPT AS NOTED	CHKD	DATE		
	MM	APPVL	DATE	TITLE USB 3.0 MICRO BF SMD TYPE	
	.0	MATERIAL :			
.00	ANGLES: X.*±1° X.X.*±0.5°	QTY :	DRAWING NO. E8110-030-01		
.000		FINISH :	/PART NO. E8110-030-01		
	THIRD ANGLE PROJECTION	SCALE : 1:1	DO NOT SCALE DRAWING		SIZE A3
			SHEET 2 OF 2		REV 01