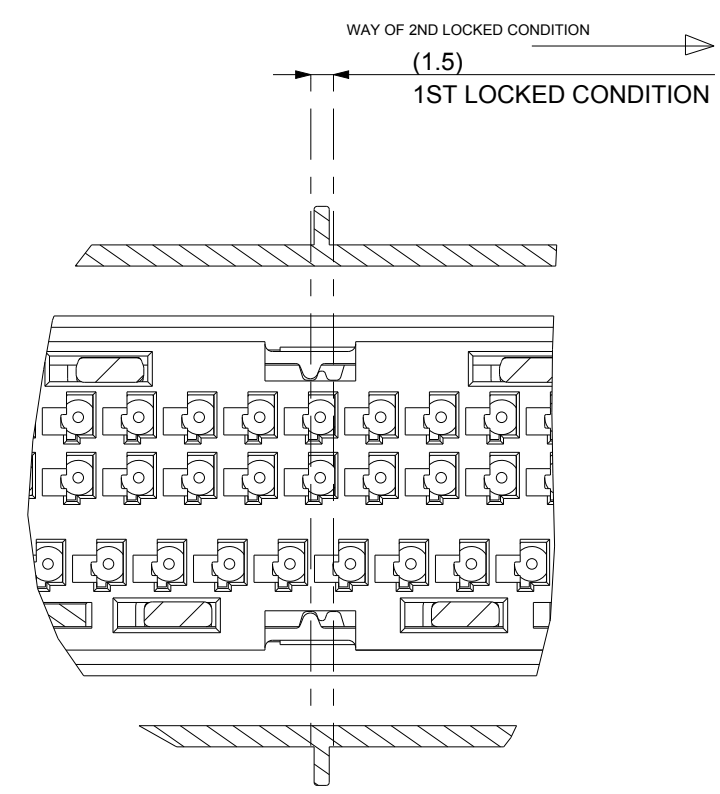
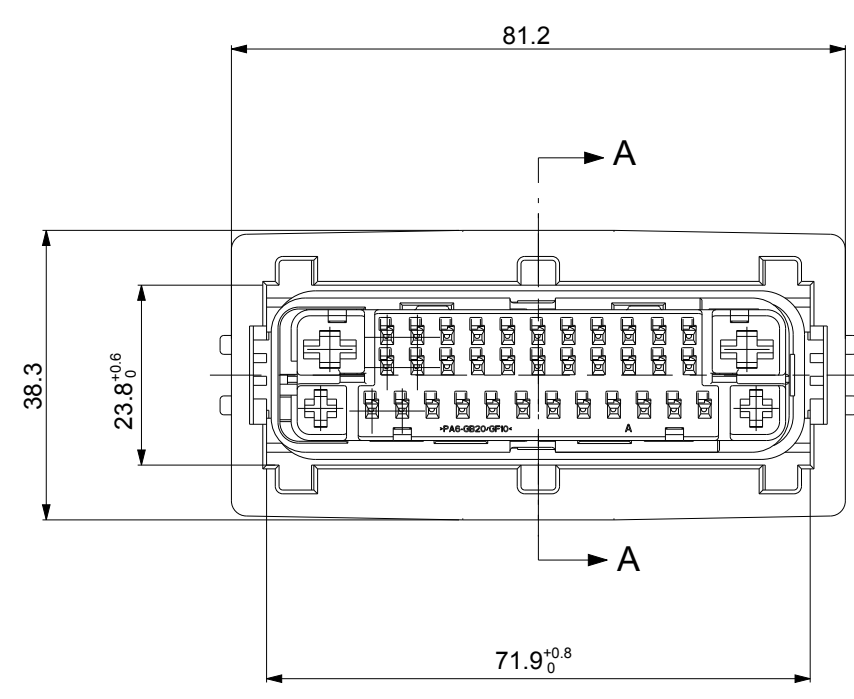
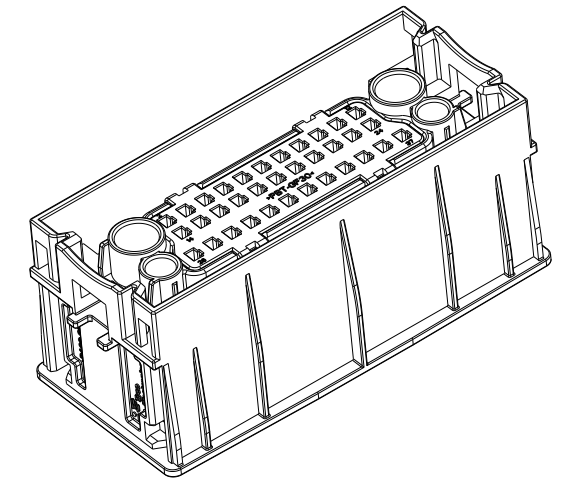
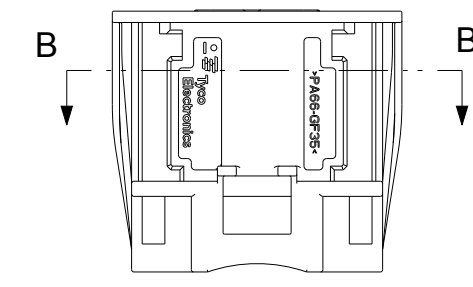
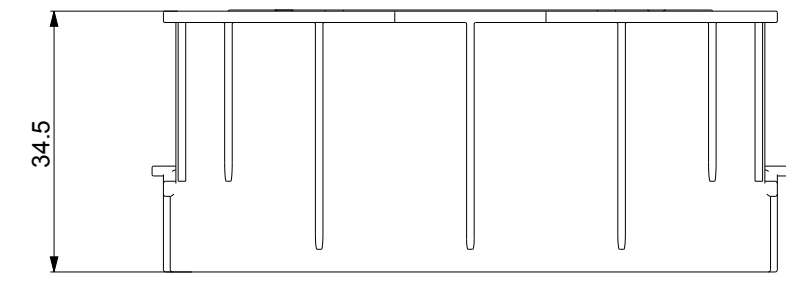


REVISIONS					
P	LTR	DESCRIPTION	DATE	DWN	APVD
	D1	REVISED (ECR-16-017989)	21.DEC.'16	SJ	JW



SECTION B-B
SCALE 2:1



SECTION A-A
SCALE 2:1

TE ORDER NO	WIRE RANGE	FINISH	SINGLE WIRE SEAL NO
964273-1	1.0~2.5	PRETINNED	963292-1
964286-1	0.5~1.0	PRETINNED	963293-1
964282-1	0.35~0.5	PRETINNED	963294-1

RECOMMENDED CONTACT SYSTEM: JPT -TYPE A ; SEALED

TE ORDER NO	WIRE RANGE	FINISH	SINGLE WIRE SEAL NO
969044-1	2.5~4.0	PRETINNED	963245-1
969042-1	1.0~2.5	PRETINNED	963244-1
969040-1	0.5~1.0	PRETINNED	963243-1

RECOMMENDED CONTACT SYSTEM: SPT -TYPE A ; SEALED

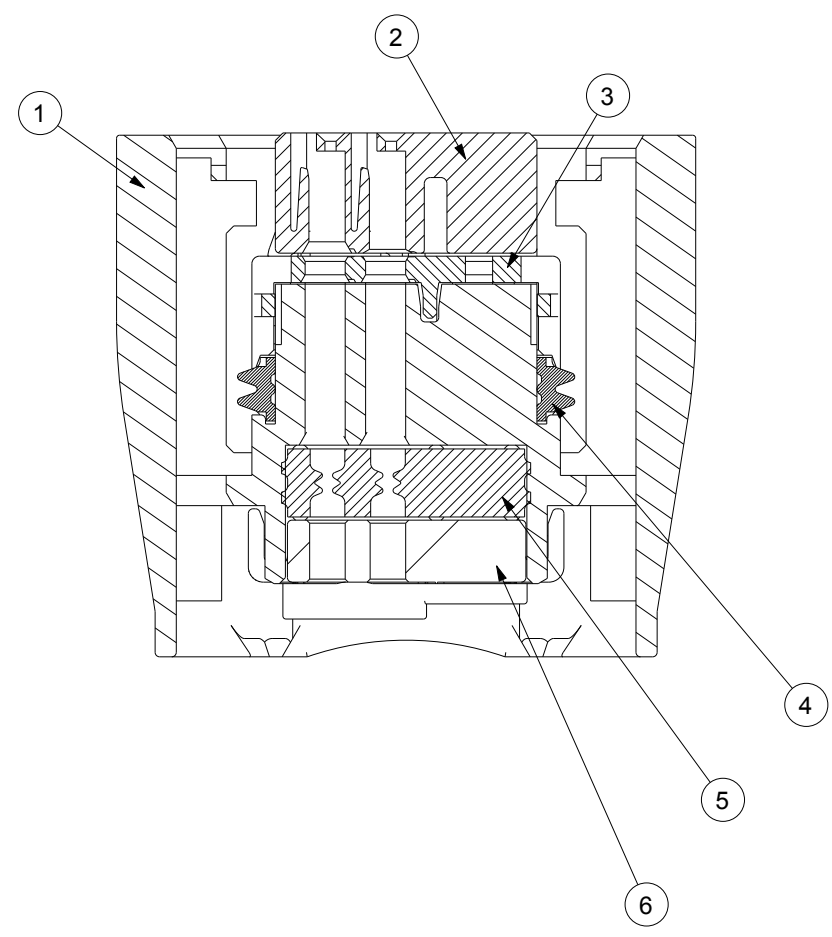
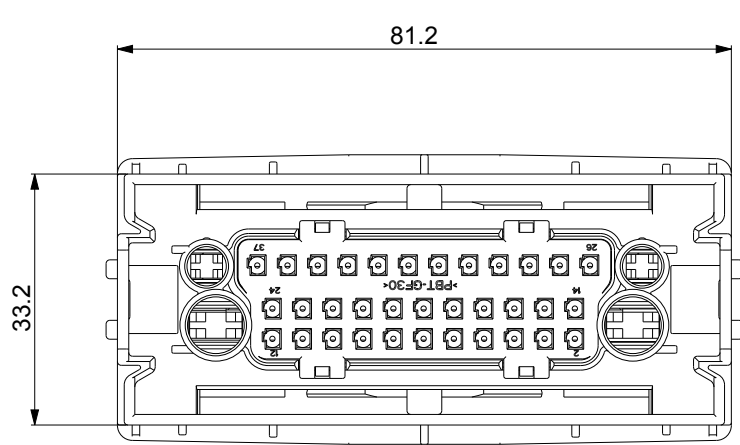
TE ORDER NO	WIRE RANGE	FINISH	CAVITY PLUG
2098165-1	0.3~0.5	PRETINNED	2005423-3

RECOMMENDED CONTACT SYSTEM: 0.8X0.64

- NOTE.
- 1. APPLICABLE COVER ASSY : TE P/N 2005243
 - 2. APPLICABLE CAVITY PLUG : TE P/N 2005423-3 , 2109258-4

ASSY P/N	QTY
3-2005238-4	1
2-2005238-3	1
1-2005238-2	1
2005238-1	1

NO	COLOR	MATERIAL	DESCRIPTION	QTY			
6	PINK	PBT-GF30	SEAL COVER	1			
	GRAY				1		
	BLACK					1	
	NATURAL						1
5	RED ORANGE	SILICONE	FAMILY SEAL	1	1	1	1
4	BROWN	SILICONE (LSR)	INNER SEAL	1	1	1	1
3	NATURAL	PBT-GF30	DBL HSG	1	1	1	1
2	BLACK	PA6-GB20/GF10	CARRIER HSG	1	1	1	1
1	BLACK	PA66-GF35	PLUG HSG	1	1	1	1



THIS DRAWING IS A CONTROLLED DOCUMENT.

DWN: SJ CHOI
CHK: SJ CHOI
APVD: JW JUNG
PRODUCT SPEC

TE Connectivity

NAME: 025/110/250 HYBRID 38P ISL PLUG ASSY

SIZE: A2 CAGE CODE: 00779 DRAWING NO: 2005238 RESTRICTED TO: -

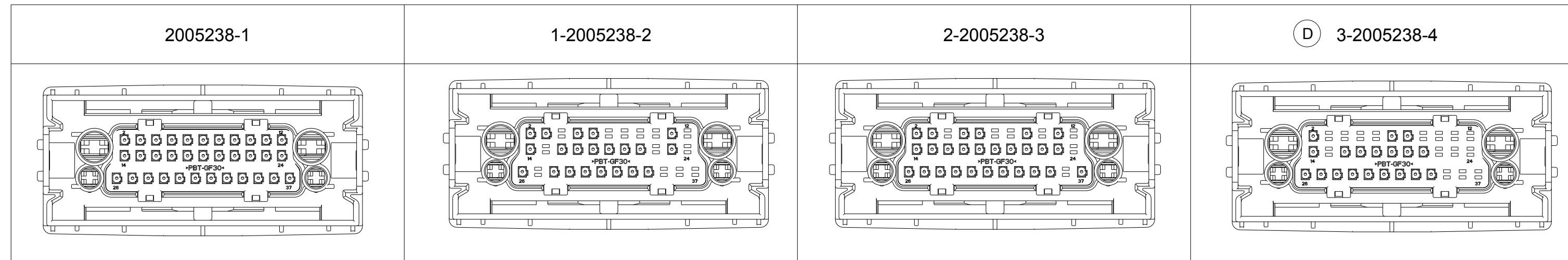
CUSTOMER DRAWING SCALE: 1:1 SHEET: 1 OF 2 REV: D1

THIS DRAWING IS UNPUBLISHED. RELEASED FOR PUBLICATION 20
 © COPYRIGHT20 BY - ALL RIGHTS RESERVED.

REVISIONS				
P	LTR	DESCRIPTION	DATE	APVD

P/NO	CIRCUIT ARRANGEMENT																																					
	☐ X INDICATES UNAVAILABLE (BLOCKED) CIRCUIT																																					
	1	2	3	4	5	6	7	8	9	10	11	12	13	14	15	16	17	18	19	20	21	22	23	24	25	26	27	28	29	30	31	32	33	34	35	36	37	38
2005238-1	○	○	○	○	○	○	○	○	○	○	○	○	○	○	○	○	○	○	○	○	○	○	○	○	○	○	○	○	○	○	○	○	○	○	○	○	○	○
1-2005238-2	○	○	○	X	○	○	X	X	X	X	○	X	○	○	X	○	○	○	○	○	○	X	○	X	○	○	X	○	○	○	○	○	○	○	X	X	X	○
2-2005238-3	○	○	○	X	○	○	X	X	○	X	○	X	○	○	○	○	○	○	○	○	○	○	X	○	○	X	○	○	○	○	○	○	○	○	○	X	○	○
3-2005238-4	○	○	X	X	X	X	○	○	X	X	X	X	○	○	X	○	○	○	○	○	○	X	X	X	○	○	○	○	○	○	○	○	○	○	X	X	X	○

*CODING



THIS DRAWING IS A CONTROLLED DOCUMENT.		DWN	TE Connectivity	
DIMENSIONS: mm		CHK		
TOLERANCES UNLESS OTHERWISE SPECIFIED:		APVD	NAME	
0 PLC ±		SEE SHEET 1	025/110/250 HYBRID 38P ISL PLUG ASSY	
1 PLC ±		PRODUCT SPEC	SIZE CAGE CODE DRAWING NO RESTRICTED TO	
2 PLC ±0.5		APPLICATION SPEC	A2 00779 C-2005238 -	
3 PLC ±		WEIGHT	SCALE 1:1 SHEET 2 OF 2 REV D1	
4 PLC ±		CUSTOMER DRAWING		
ANGLES ±3°				
FINISH				