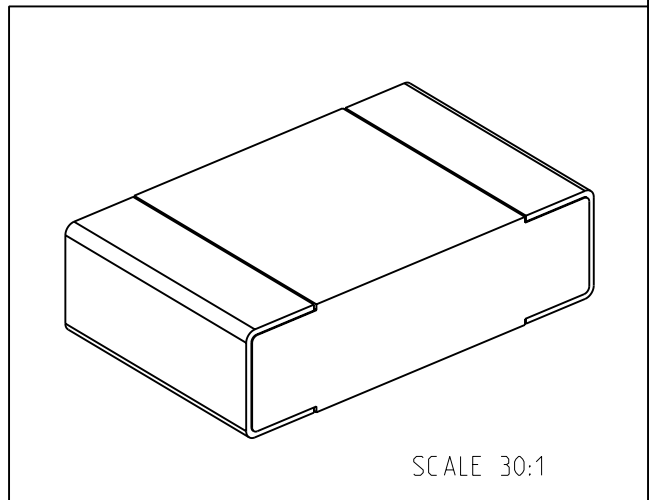
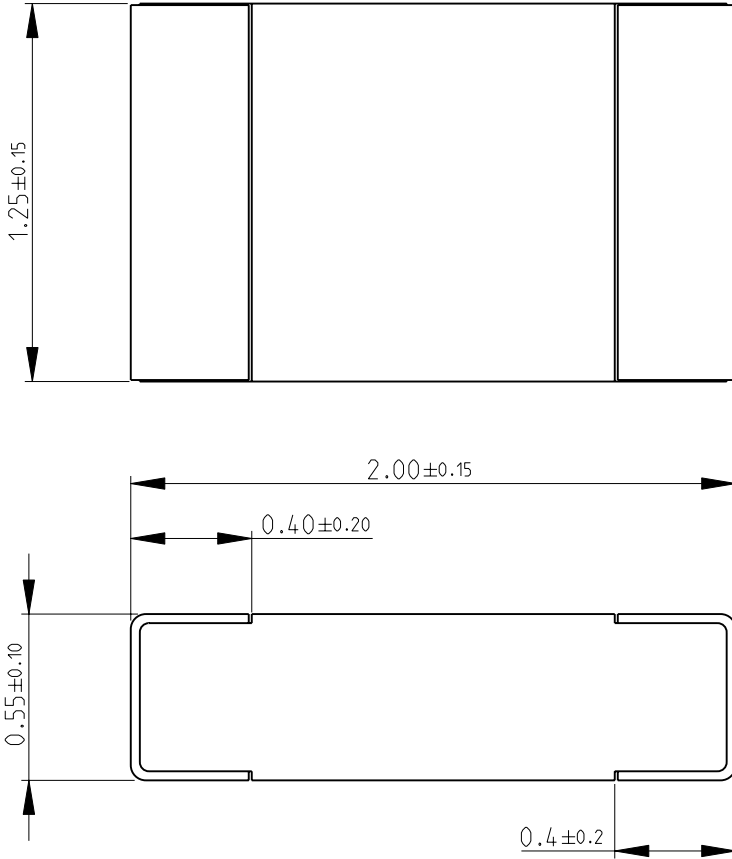


| | | | | | | | |
|-----|------|-----------|-----|-------------|-----------|-----|------|
| LOC | DIST | REVISIONS | | | | | |
| E | B | P | LTR | DESCRIPTION | DATE | DWN | APVD |
| | | | BA | NEW RELEASE | 08-JAN-09 | SM | St.P |

FOR FURTHER INFORMATION SEE DATA SHEET FOR
CRG SERIES-THICK FILM CHIP RESISTORS



SCALE 30:1

RoHS Compliant

2009

RELEASED FOR PUBLICATION

THIS DRAWING IS UNPUBLISHED.

© COPYRIGHT 2009 BY TYCO ELECTRONICS CORPORATION. ALL RIGHTS RESERVED.

| | | | | | | |
|--|------------------|-----------|--|-----------|-------------|---------------|
| DIMENSIONS: mm | DWN | 08-JAN-09 | MATERIAL | - | FINISH | - |
| | CHK | 08-JAN-09 | Tyco Electronics Corporation Dorcan, Swindon, SN3 5HH | | | |
| TOLERANCES UNLESS OTHERWISE SPECIFIED: | APVD | 08-JAN-09 | | | | |
| 0 PLC ±0.5 | STEPHEN.P | | NAME THICK FILM CHIP RESISTORS SERIES CRG 0805 | | | |
| 1 PLC ±0.2 | PRODUCT SPEC | - | | | | |
| 2 PLC ±0.1 | APPLICATION SPEC | - | SIZE | CAGE CODE | DRAWING NO | RESTRICTED TO |
| 3 PLC ±- | | | A 4 | 00779 | © = 1623197 | - |
| 4 PLC ±- | | | CUSTOMER DRAWING | | | |
| ANGLES ±5° | WEIGHT | - | SCALE | 40:1 | SHEET | 1 OF 1 |
| | | | REV BA | | | |