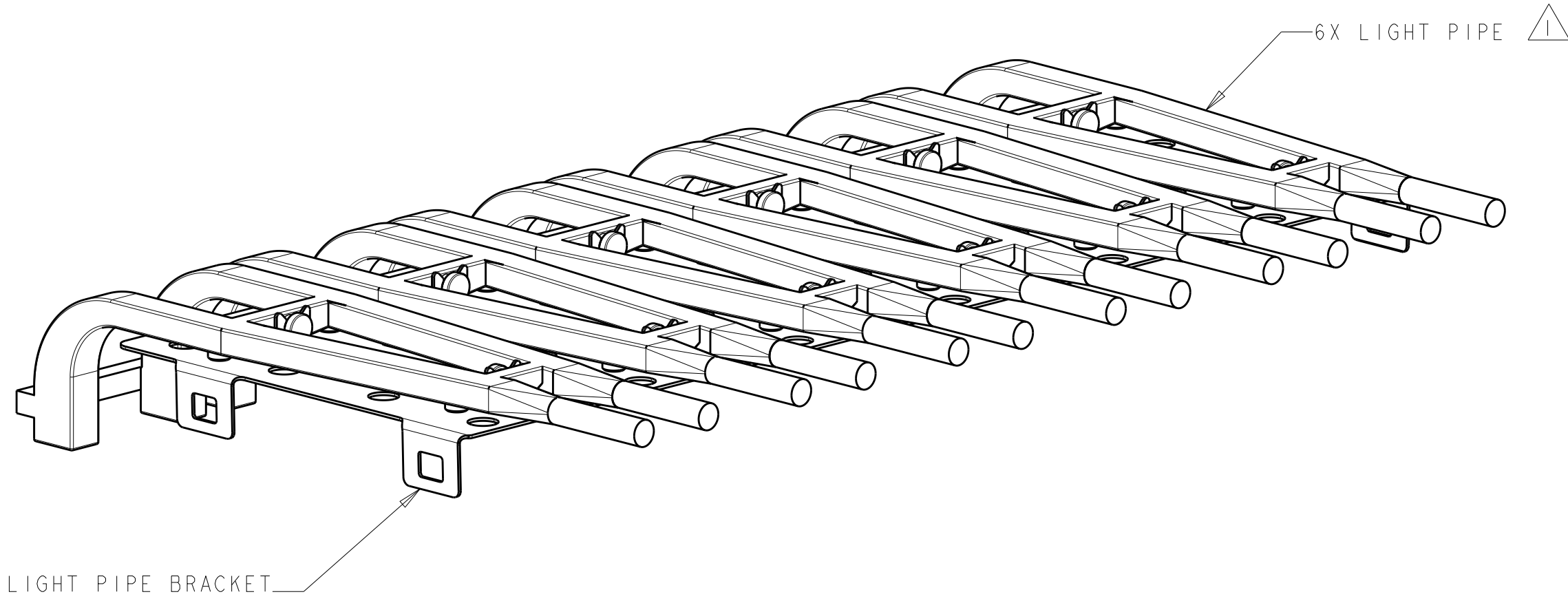
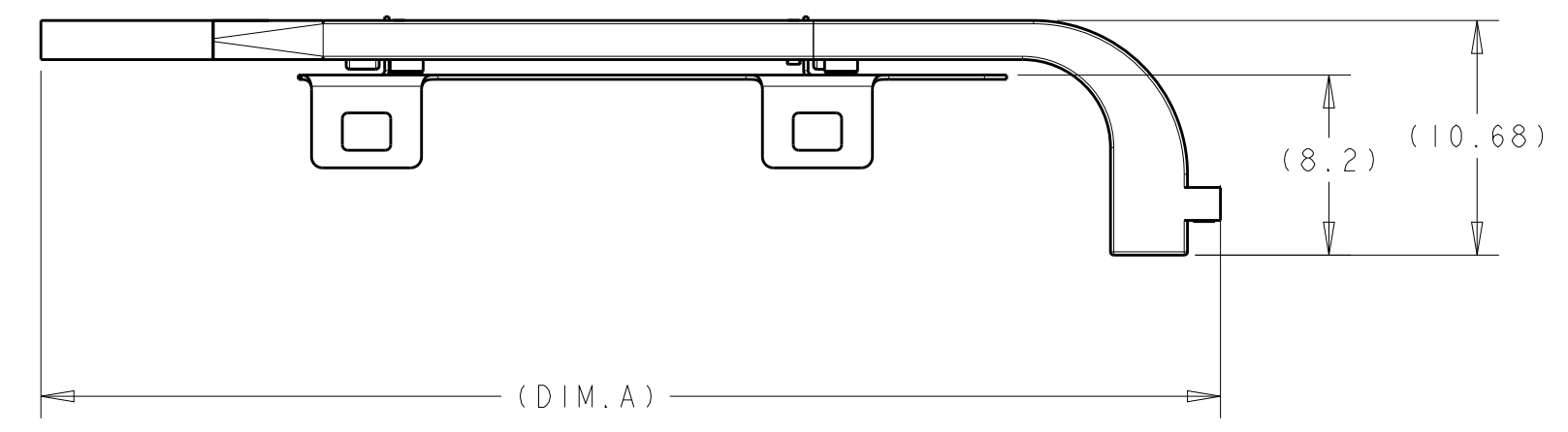
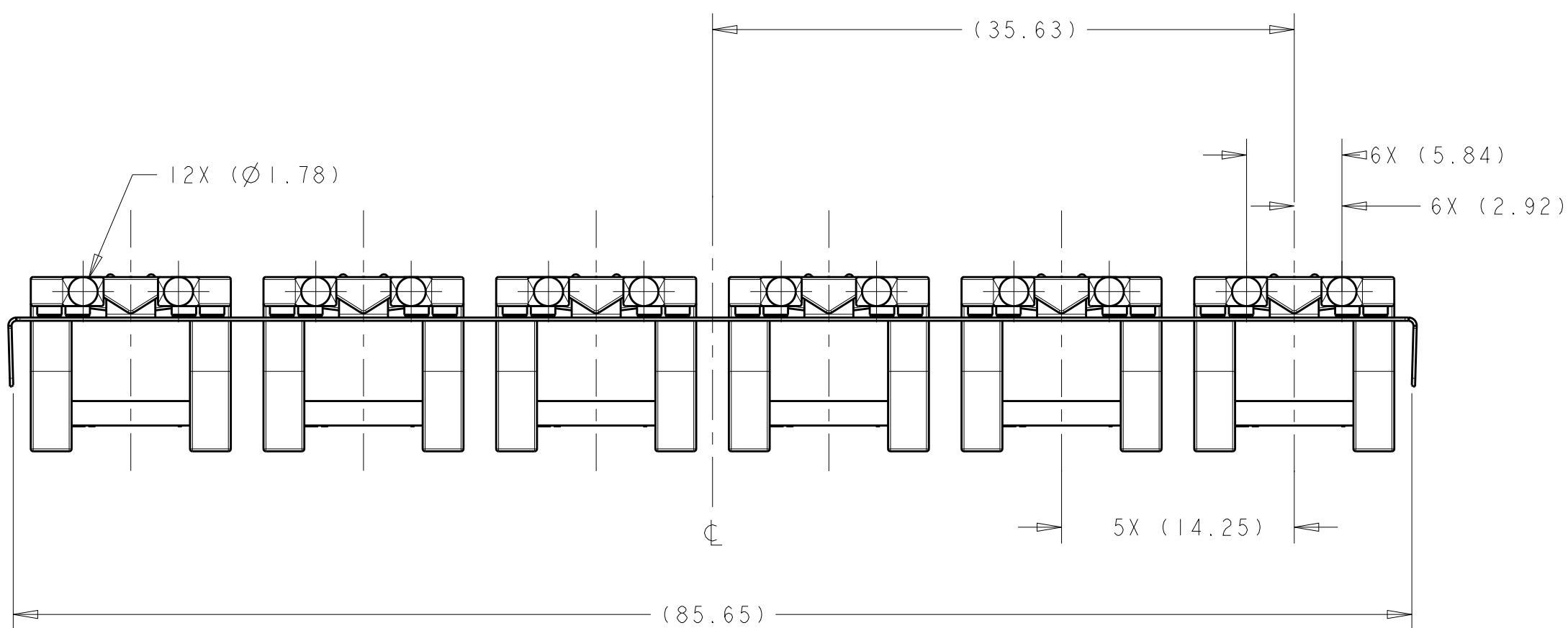


THIS DRAWING IS UNPUBLISHED. RELEASED FOR PUBLICATION 20
 © COPYRIGHT 20 BY - ALL RIGHTS RESERVED.

LOC	DIST	REVISIONS			
P	LTR	DESCRIPTION	DATE	DWN	APVD
GP	00	A	RELEASED	26FEB2016	JW SH



- 1 LIGHT PIPE: POLYCARBONATE, CLEAR UL 94V-2
- 2 LIGHT PIPE BRACKET: STAINLESS STEEL PER ASTM A 666



52.63	2110743-3
53.63	2110743-1
DIM. A	PART NUMBER

THIS DRAWING IS A CONTROLLED DOCUMENT.		DWN C. ROHLER 03JUN2009	STE TE Connectivity	
DIMENSIONS: mm		CHK M. SCHMITT 03JUN2009		
TOLERANCES UNLESS OTHERWISE SPECIFIED:		APVD R. WERTZ 03JUN2009	NAME 1X6 LOW PROFILE LIGHT PIPE ASSM SFP+	
0 PLC ±		PRODUCT SPEC 108-2364	SIZE A200779	
1 PLC ±		APPLICATION SPEC	DRAWING NO C-2110743	
2 PLC ±		WEIGHT	RESTRICTED TO	
3 PLC ±			-	
4 PLC ±			-	
ANGLES ±			-	
FINISH			-	
MATERIAL 1 2 -		CUSTOMER DRAWING		
		SCALE 3:1	SHEET 1	REV A