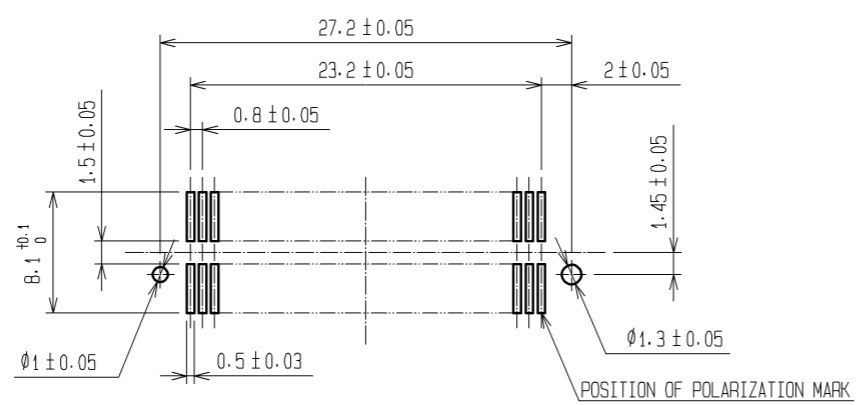


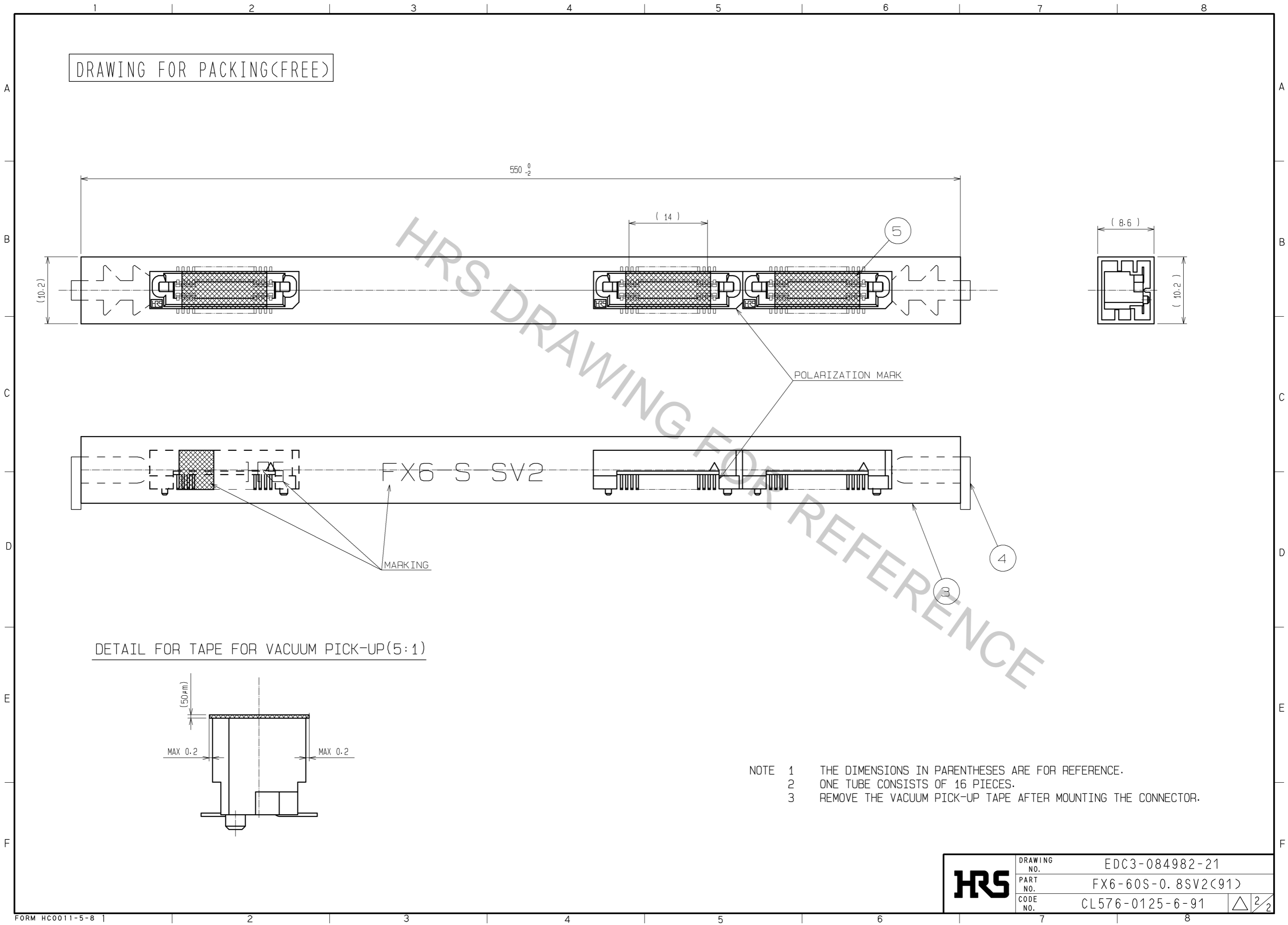
- NOTE
- 1 HRS MARK SHALL BE OPTIONAL.
 - 2 LEAD CO-PLANARITY SHALL BE 0.1mm MAX.
 - 3 TUBE PACKAGING SHALL BE APPLIED FOR THIS PRODUCT. SEE NEXT PAGE FOR DETAILS.
 - 4 THIS PRODUCT HAS TAPE FOR VACUUM PICKUP. SEE NEXT PAGE FOR DETAIL OF STICKING POSITION, ETC.
 - 5 FOR MODIFICATION, ETC, PREVENTIVE HOLE FOR SINK MARK MAY BE ADDED ACCORDING TO CIRCUMSTANCES.
 - 6 THE DIMENSIONS IN PARENTHESES ARE FOR REFERENCE.

RECOMMENDED LAND PATTERN DIMENSION OF PCB (MOUNTING SIDE)
(RECOMMENDED METAL MASK THICKNESS: 0.15mm)

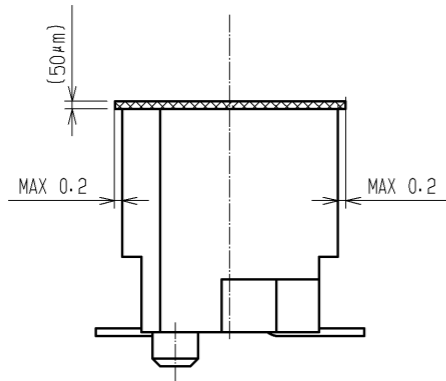


| 2 | PHOSPHOR BRONZE | CONTACT AREA: GOLD 0.1µm min. | | | | | | |
|---------------------------|-----------------|---------------------------------|------------|-----------------------------|--------------------------|----------|---------|------|
| | | LEAD AREA: TIN-PLATING 1µm min. | | | | | | |
| | | UNDER PLATING: NICKEL 2µm min. | | | | | | |
| 1 | PPS | LIGHT BROWN (UL94V-0) | 5 | POLYIMIDE | (TAPE FOR VUCUUM PICKUP) | | | |
| | | | 4 | PVC | (STOPPER) | | | |
| | | | 3 | PVC | (TUBE) | | | |
| NO. | MATERIAL | FINISH . REMARKS | NO. | MATERIAL | FINISH . REMARKS | | | |
| UNITS mm | | SCALE 2 : 1 | COUNT △ | DESCRIPTION OF REVISIONS | | DESIGNED | CHECKED | DATE |
| HIROSE ELECTRIC CO., LTD. | | APPROVED : HS. OKAWA | 08.07.23 | DRAWING NO. EDC3-084982-21 | | | | |
| | | CHECED : HT. YAMAGUCHI | 08.07.23 | PART NO. FX6-60S-0.8SV2(91) | | | | |
| | | DESIGNED : SY. KAMIGA | 08.07.22 | CODE NO. CL576-0125-6-91 | | | | |
| | | DRAWN : HK. SUNADORI | 08.07.18 | | | | | |

DRAWING FOR PACKING(FREE)



DETAIL FOR TAPE FOR VACUUM PICK-UP(5:1)



- NOTE 1 THE DIMENSIONS IN PARENTHESES ARE FOR REFERENCE.
 2 ONE TUBE CONSISTS OF 16 PIECES.
 3 REMOVE THE VACUUM PICK-UP TAPE AFTER MOUNTING THE CONNECTOR.

| | | | |
|------------|-------------|--------------------|-------|
| HRS | DRAWING NO. | EDC3-084982-21 | |
| | PART NO. | FX6-60S-0.8SV2(91) | |
| | CODE NO. | CL576-0125-6-91 | △ 2/2 |
| | | | |