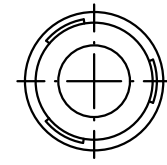
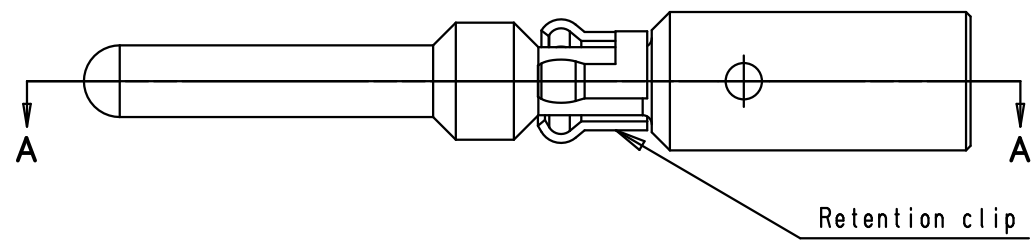
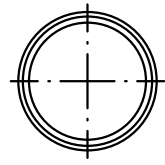
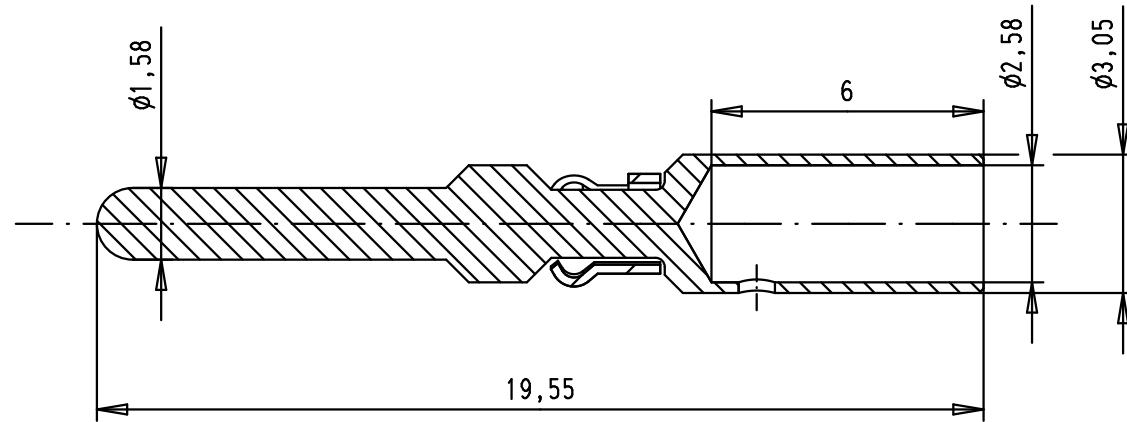


Alle Rechte vorbehalten/ All rights reserved



SECTION A-A:



STRIPPING LENGTH: 5mm

MATERIAL:

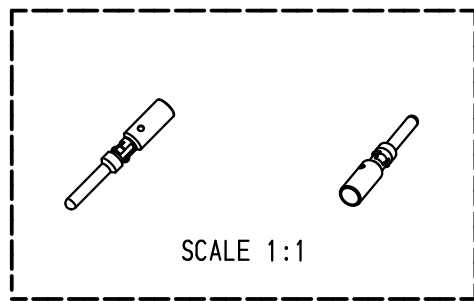
contact: brass

retention clip: stainless steel

PLATING:

contact: Au/Ni

retention clip: raw material



SCALE 1:1

All dimensions are before plating

				Det.	Name		MALE POWER CONTACT CRIMP AWG 12	Moßstab/ Scale 6:1	
			Detail.	22/08/08	AB				All Dim. in mm Orig. Size DIN A 3
			Insp.	12/05/11	JMV				
36242	12/05/11	AB	Stand.				TB 09 46 500 0405	Blatt/ Page 1/1	
EC01270	28/01/10	AB							
35287	22/08/08	AB							
Mod.	Det.	Name	HARTING EURL F-95972 Paris				Sub.		