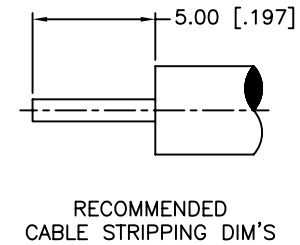
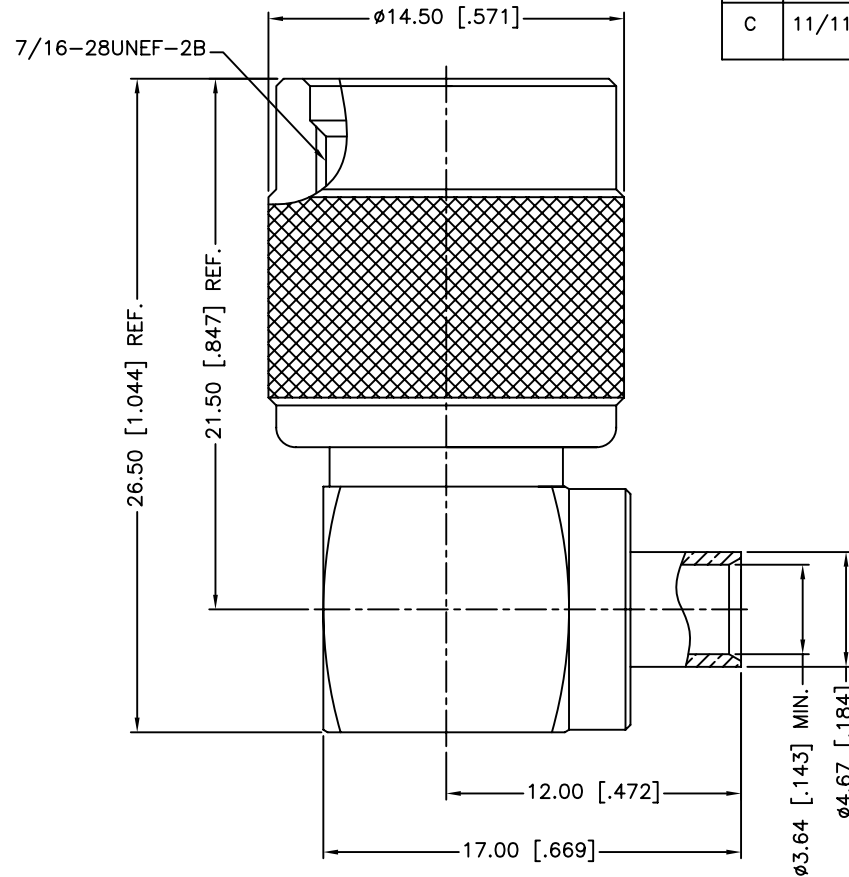
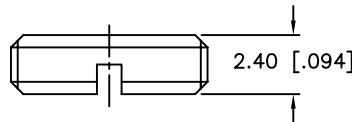


REV.	DATE	ECR NO.	DESCRIPTION
NC	10/25/02	XXXXXX	INITIAL RELEASE
A	11/26/03	XXXXXX	UPDATE DRAWING FORMAT
B	03/18/04	XXXXXX	ADD COUPLING NUT UNDER PART DESCRIPTION
C	11/11/13	2552	REMOVE "STAMP CONNEX" COMMENT, ADD ELECTRICAL/MECHANICAL NOTES, UPDATE FORMAT



1. IMPEDANCE: 50 OHM
2. FREQUENCY RANGE: 0-11 GHZ
3. DIELECTRIC WITHSTANDING VOLTAGE: 1500 VRMS, MIN.
4. DURABILITY: 500 CYCLES MIN.
5. TEMPERATURE RANGE: -40°C TO +85°C



QTY	DESCRIPTION	MATERIAL	FINISH	QTY
1	SHELL	BRASS	NICKEL	1
2	BODY	BRASS	NICKEL	1
3	BARREL	BRASS	GOLD	1
4	INSULATOR	PTFE	NATURAL	1
5	CONTACT PIN	BRASS	GOLD	1
6	GASKET	SILICONE RUBBER	RED	1
7	RETAINER RING	BRASS	NICKEL	1
8	RING	DELRIIN	NATURAL	1
9	WASHER	BRASS	NICKEL	1
10	NUT	BRASS	NICKEL	1

UNLESS OTHERWISE SPECIFIED DIMENSIONS ARE IN MILLIMETERS. DIMENSIONS IN [] ARE IN INCHES AND FOR CUSTOMER REFERENCE ONLY.
UNLESS OTHERWISE SPECIFIED
TOLERANCES FOR MILLIMETERS ARE:
<0.5 ± 0.05mm
0.5 - 6mm ± 0.10mm
6 - 30mm ± 0.20mm
30 - 120mm ± 0.30mm
ANGLES ± 1°
UNLESS OTHERWISE SPECIFIED
TOLERANCES FOR INCHES ARE:
<.020 ± 0.002"
.020 - .236 ± 0.004"
.236 - 1.180 ± 0.007"
1.180 - 4.724 ± 0.012"
ANGLES ± 1°

DO NOT SCALE DRAWING

APPROVALS	DATE
DRAWN M.ZHANG	11/11/13
CHECKED	
ISSUED	
SHEET 1 OF 1	
CAD FILE	C:/CONNEX/122422.DWG

Amphenol Connex			
PART DESCRIPTION			
TNC R/A DIRECT SOLDER PLUG (FOR .141" SEMI RIGID CABLE)			
PART NO.			
122422			
DWG. NO.	122422.DWG	REV. C	SCALE NA