

SAFETY ORGANIZATION(S)

THIS FILTER HAS BEEN FORMALLY RECOGNIZED, CERTIFIED OR APPROVED BY THE LISTED AGENCY. THEREFORE, ALL TEST/REQUIREMENTS SPECIFIED IN THE LATEST REVISION OF THE FOLLOWING AGENCY STANDARDS HAVE BEEN MET.

UL RECOGNIZED  
 UL 544  
 CSA CERTIFIED  
 CSA 22.2, NO. 0, 0.4, 8  
 VDE APPROVED  
 VDE 565-3, 625

OPERATING SPECIFICATIONS.

LINE VOLTAGE/CURRENT,  
 6 AMP., 120/250 VAC  
 50-60HZ

LINE FREQUENCY:

MAX. LEAKAGE CURRENT, EACH  
 LINE TO GROUND  
 2µA at 120V 50 Hz  
 5µA at 250V 50 Hz

OPERATING AMBIENT TEMP. RANGE:

-10°C TO +40°C @ RATED CURRENT, I<sub>r</sub>  
 IN AN AMBIENT, T<sub>a</sub>, HIGHER THAN 40°C, THE MAXIMUM OPERATING  
 CURRENT, I<sub>o</sub>, IS AS FOLLOWS:

$$I_o = I_r \sqrt{\frac{85 - T_a}{45}}$$

RELIABILITY SPECIFICATIONS:

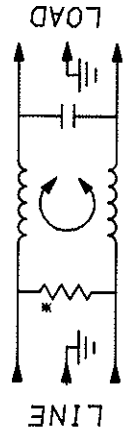
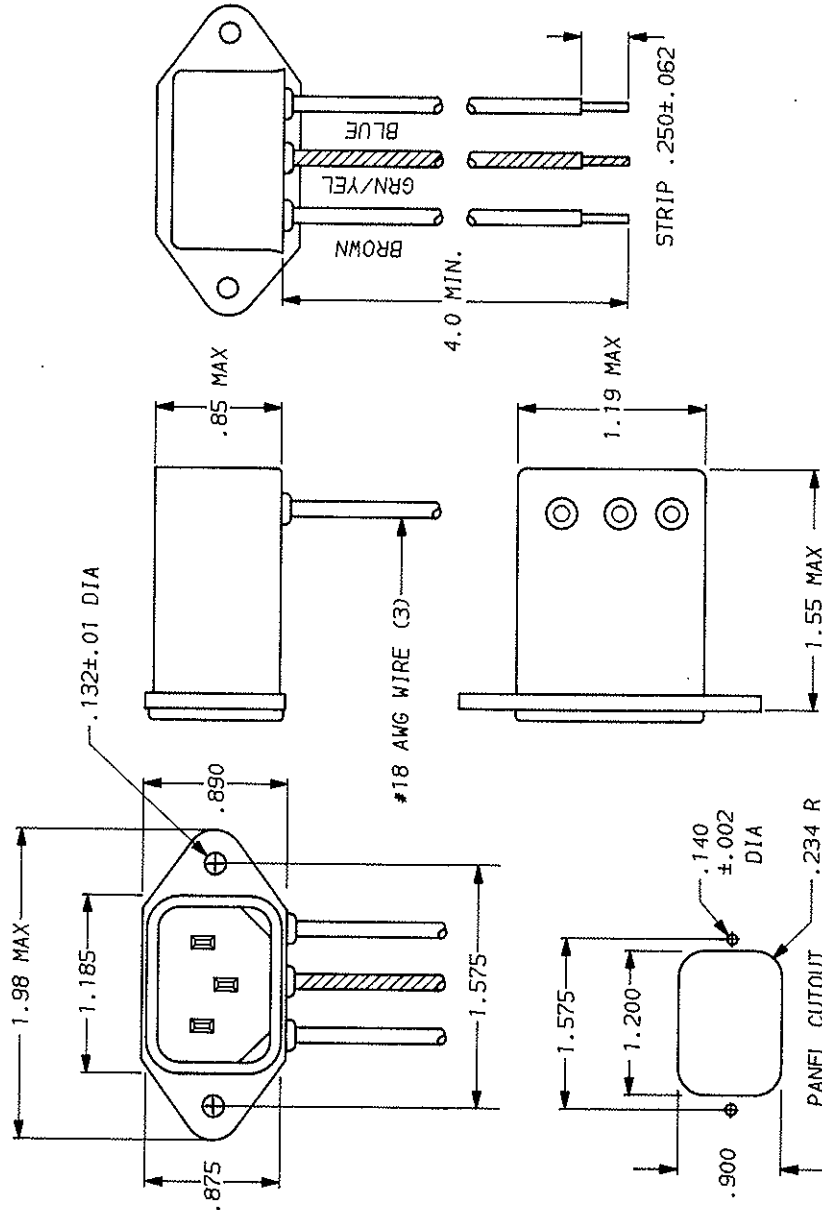
STORAGE TEMPERATURE,  
 -40°C TO +85°C  
 HUMIDITY,  
 21 DAYS @ 40°C 95% RH  
 CURRENT OVERLOAD TEST,  
 6 TIMES RATED CURRENT FOR 8 SECONDS

TEST SPECIFICATIONS.

INDUCTANCE,  
 .465 mH NOMINAL  
 CAPACITANCE, (MEASURED @ 1 KHZ, 0.25 VAC MAX., 25°C ±1°C)  
 LINE TO LINE,  
 .01µF ±20%  
 DISCHARGE RESISTOR,  
 1.5 Ma  
 LINE/GROUND AND LINE/LINE  
 5000 Ma (MIN) AT 100 VDC  
 INSULATION RESISTANCE  
 (4/0 DISCHARGE RESISTOR)  
 RECOMMENDED RECEIVING INSPECTION HIPOUT,  
 LINES TO GROUND,  
 2250 VDC FOR 1 MINUTE  
 LINE TO LINE,  
 1450 VDC FOR 1 MINUTE

FILTER APPROVAL.

THE BEST WAY TO SELECT AND QUALIFY A FILTER IS FOR YOUR ENGINEERING TO TEST THE UNIT IN YOUR EQUIPMENT.



50a - 50a MINIMUM INSERTION LOSS

| FREQUENCY<br>MHZ | .15 | .5 | 1.0 | 5.0 | 10 | 20 | 30 |
|------------------|-----|----|-----|-----|----|----|----|
| COMMON           | 9   | 16 | 20  | 26  | 23 | 20 | 18 |

This document is proprietary to CORCOM INC. and is not to be reproduced nor used for manufacturing purposes except on CORCOM's order or prior written consent.

TOLERANCE EXCEPT AS NOTED  
 DECIMAL: .XXX .XX .X ANGLES  
 ENGLISH: ±.015 .X ±1°  
 METRIC: ±  
 MATERIAL:  
 AS SUPPLIED

FINISH:  
 AS SUPPLIED



POWER LINE FILTER

SCALE: NTS 8-14-90  
 PART: CFW  
 DRG. NO.: 6EH5.01  
 REV.

\*RESISTOR ADDED TO PRODUCT BUILT AFTER 3-30-92 (9212).