

Common mode Noise Filters with ESD Suppressor



Type: **EXC24CS**

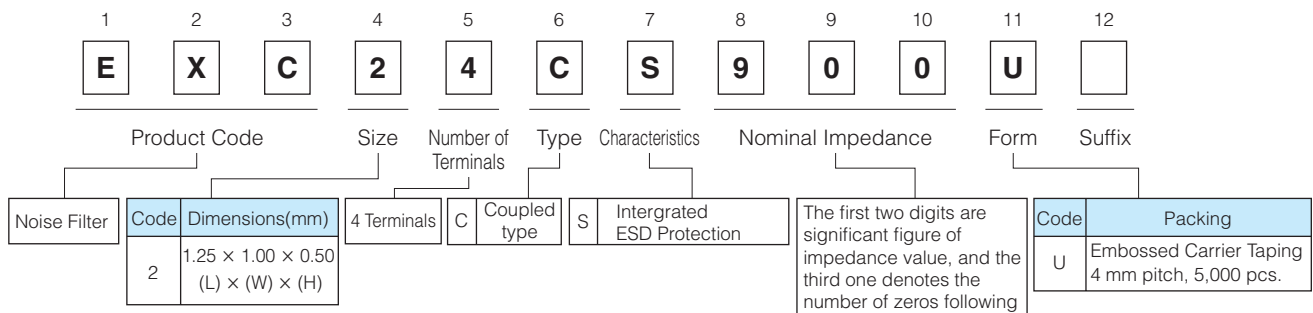
Features

- Provides EMI Filtering and ESD Protection (L 1.25 mm×W 1.00 mm×H 0.50 mm)
- ESD and noise suppression of high-speed differential transmission lines with little influence of waveform rounding on signal transmission
- High Common mode attenuation in the range between 700 MHz and 1 GHz (RF band)
- Strong multilayer/sintered structure, excellent reflow resistance and high mounting reliability
- Lead, halogen and antimony-free
- RoHS compliant

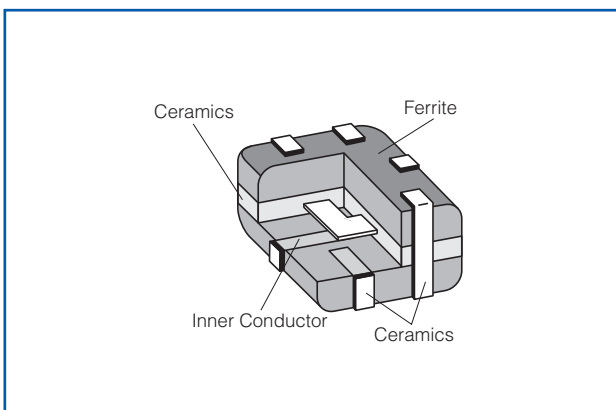
Recommended Applications

- Smartphones, Tablet PCs and DSC
- ESD and noise suppression of high-speed differential data lines such as MIPI and USB

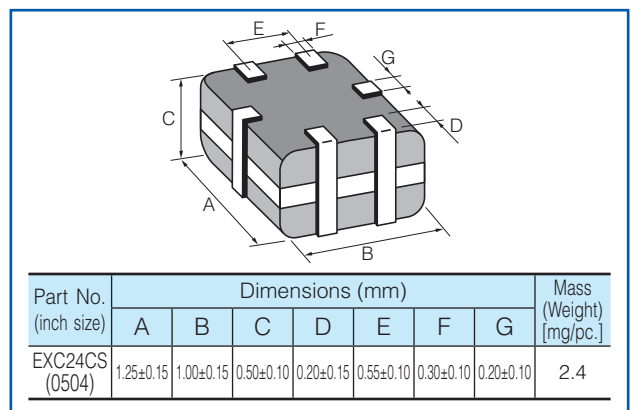
Explanation of Part Numbers



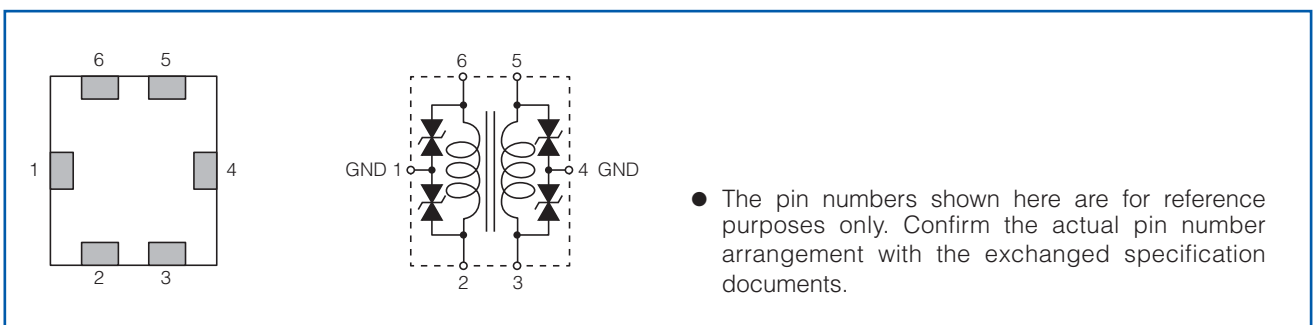
Construction



Dimensions in mm (not to scale)



Circuit Configuration (No Polarity)



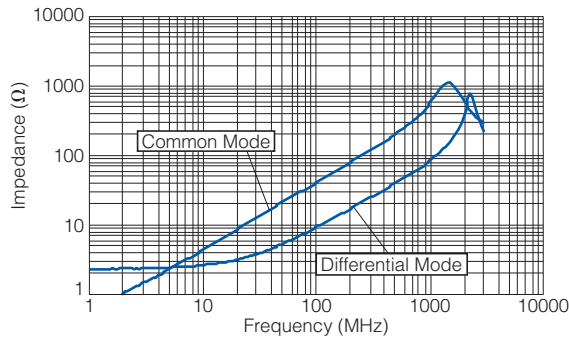
Ratings

| Part Number | Impedance (Ω) at 100 MHz | | Rated Voltage (V DC) | Rated Current (mA DC) | DC Resistance (Ω)max. |
|-------------|-----------------------------------|-------------------|----------------------|-----------------------|--------------------------------|
| | Common Mode | Differential Mode | | | |
| EXC24CS350U | 35 Ω ±30 % | 15 Ω max. | 5 | 100 | 2.0 |
| EXC24CS900U | 90 Ω ±20 % | 20 Ω max. | 5 | 100 | 3.0 |

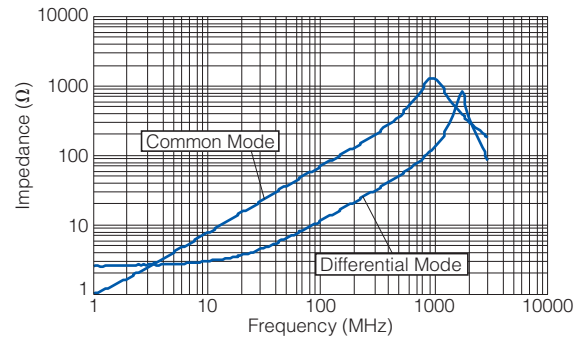
- Category Temperature Range -40 °C to +85 °C

Impedance Characteristics (Typical)

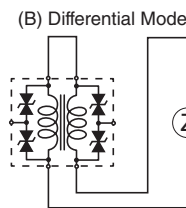
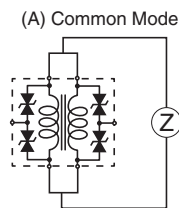
● EXC24CS350U



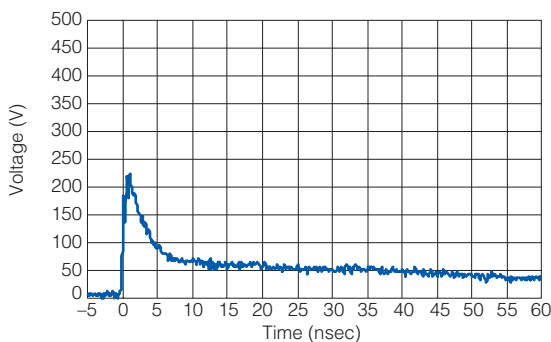
● EXC24CS900U



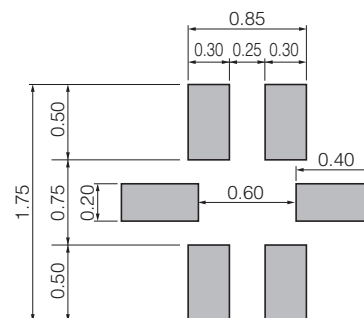
● Measurement Circuit



ESD Suppression Characteristics(Typical : IEC61000-4-2, 8 kV contact discharge)



Recommended Land Pattern Design in mm (not to scale)



■ As for Packaging Methods, Soldering Conditions and Safety Precautions,

Please see Data Files