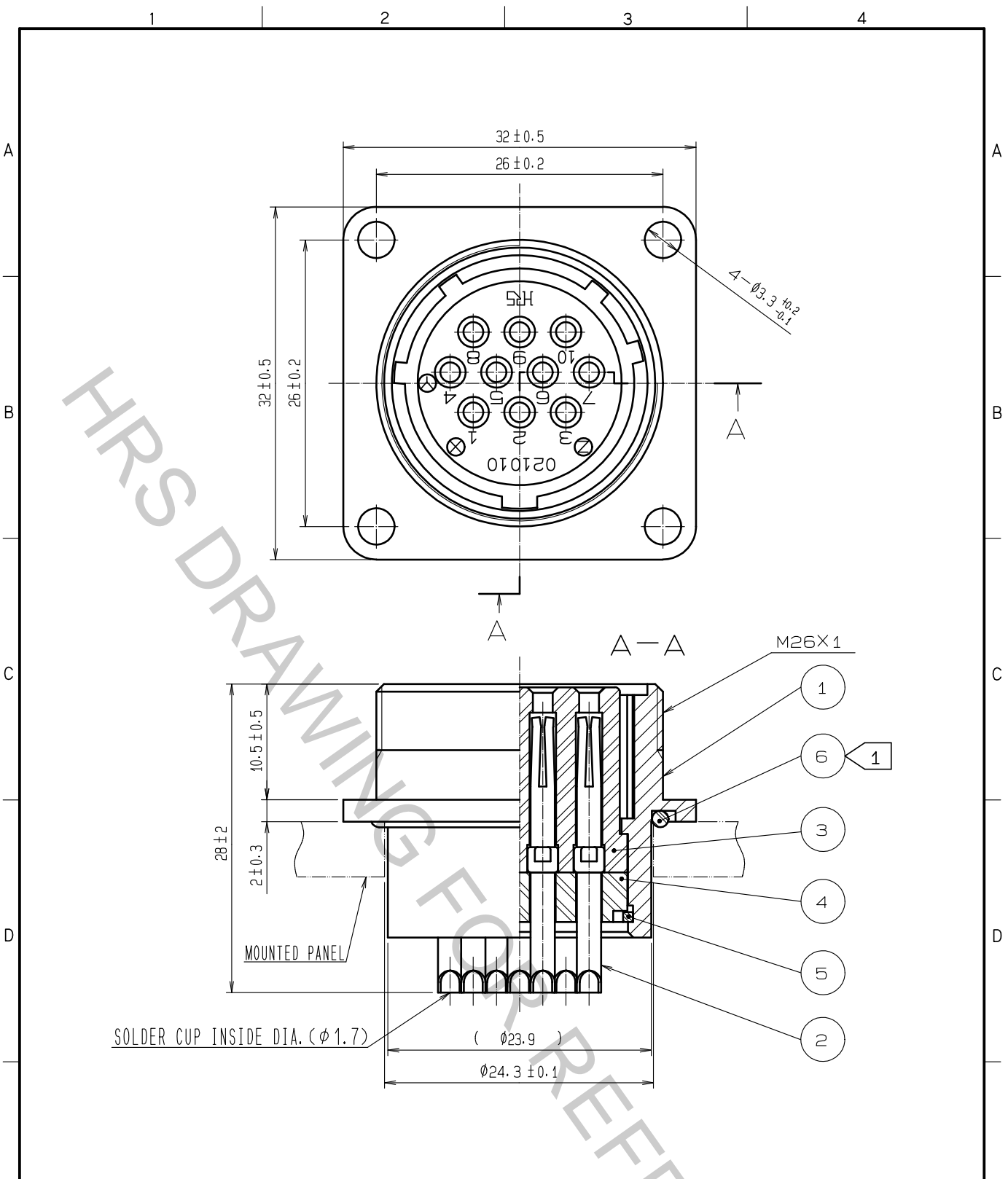


Aug.1.2018 Copyright 2018 HIROSE ELECTRIC CO., LTD. All Rights Reserved.
 In case that the application demands a high level of reliability, such as automotive,
 please contact a company representative for further information.



NOTE ① WHEN MOUNTED ON CHASSIS, BE CAREFUL THAT REFERENCE NO. ⑥ IS FITTED INTO THE INDICATES GROOVE ANY BITING.

3	PHENOL-FORMALDEHYDE	(BLACK) UL94V-0	6	NBR	(BLACK)
2	COPPER ALLOY	SILVER PLATING 2μm min.	5	PHOSPHOR BRONZE	NICKEL PLATING
1	ALUMINUM ALLOY	BLACK CHROME PLATING	4	PHENOL-FORMALDEHYDE	(BLACK) UL94V-0
NO.	MATERIAL	FINISH . REMARKS	NO.	MATERIAL	FINISH . REMARKS

UNITS mm		SCALE 2 : 1	COUNT 	DESCRIPTION OF REVISIONS	DESIGNED	CHECKED	DATE
-------------	--	----------------	-----------	--------------------------	----------	---------	------

HIROSE ELECTRIC CO., LTD.	APPROVED :HY. KOBAYASHI	18. 02. 26	DRAWING NO.	EDC-110480-31-00
	CHECKED :HY. KOBAYASHI	18. 02. 26	PART NO.	JR21WR-10S(31)
	DESIGNED :TH. KAMEYA	18. 02. 23	CODE NO.	CL114-2038-5-31
	DRAWN :MK. INOUE	18. 02. 13		