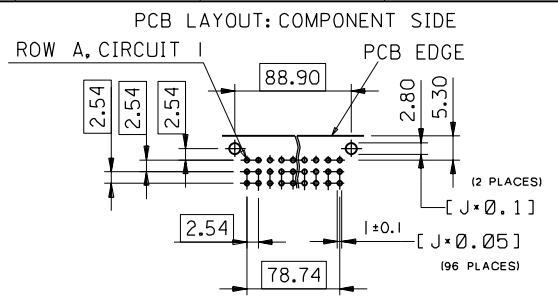
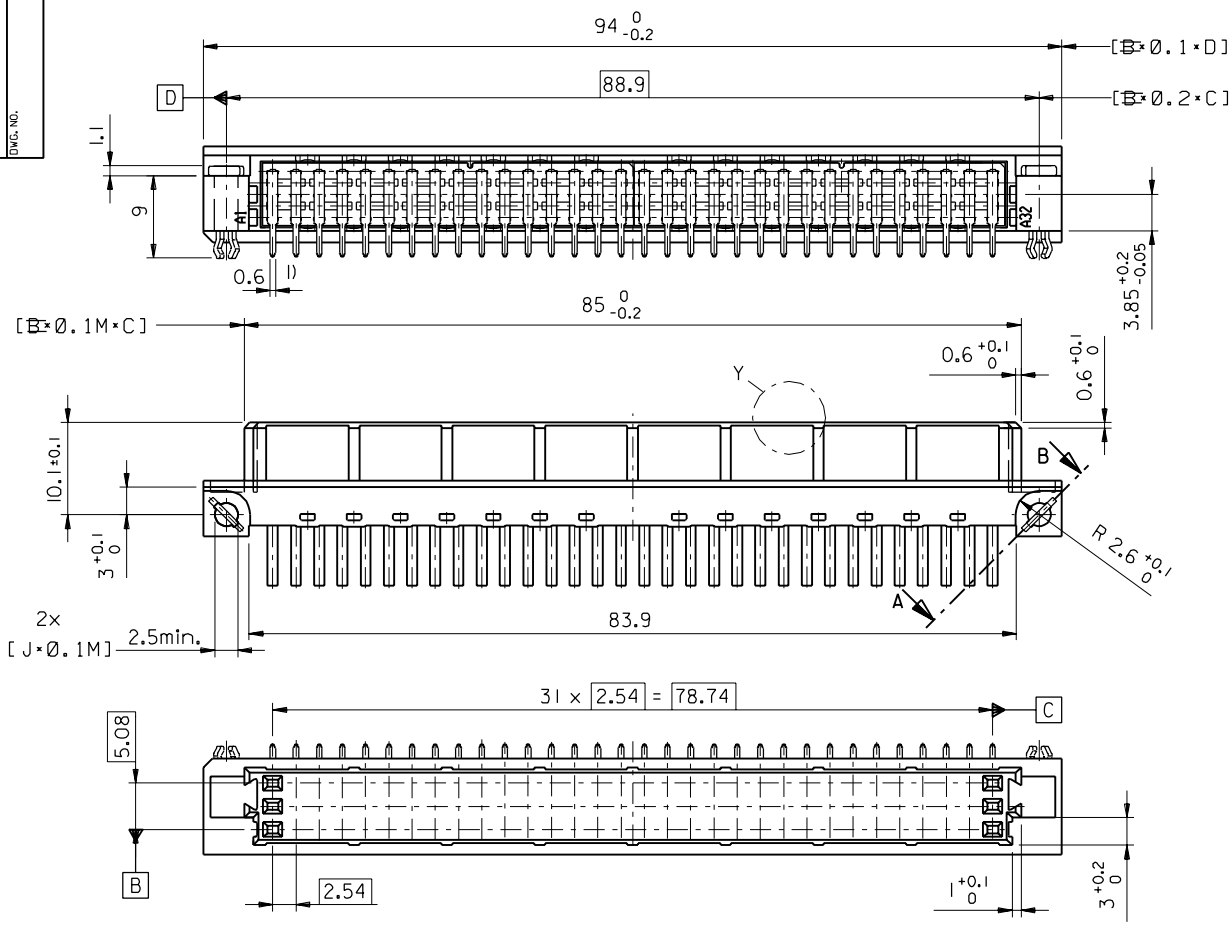
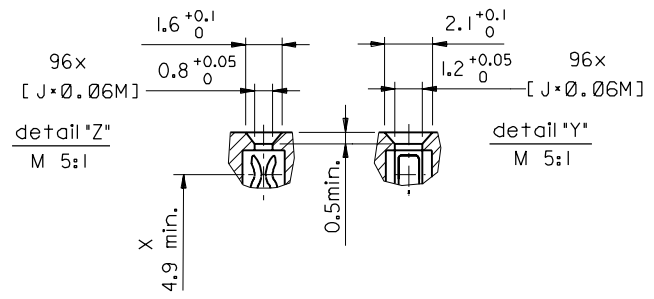
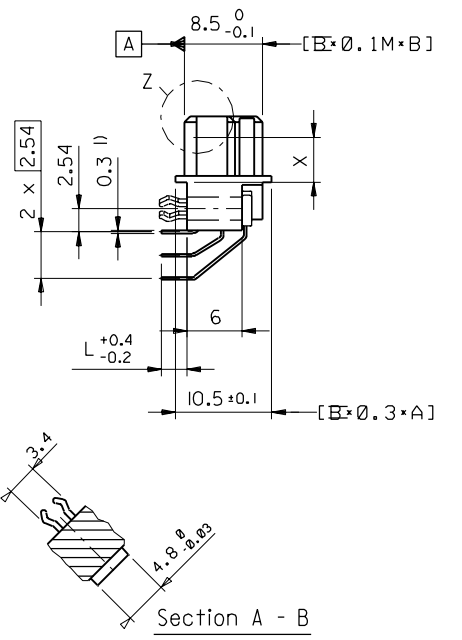


PART NO.
DWG. NO.



1) tails to fit in PC-board layout



FIRST ANGLE PROJECTION

| DRWG BY | KN |
|----------|-----|
| CHK'D BY | Ca |
| APP'D BY | JB |
| SCALE | 2:1 |

UNLESS OTHERWISE SPECIFIED TOLERANCES: ANGULAR ±2°
INCH METRIC

| | |
|-----------|---|
| 3 PLACE ± | ± |
| 2 PLACE ± | ± |
| 1 PLACE ± | ± |

DRAFT WHERE APPLICABLE MUST REMAIN WITHIN DIMENSIONS

| | |
|----------------------|----------------------------------------|
| DESIGN DIMENSION | <input checked="" type="checkbox"/> MM |
| | <input type="checkbox"/> IN. |
| EQUIVALENT DIMENSION | <input type="checkbox"/> MM |
| | <input type="checkbox"/> IN. |

IF TWO DIMENSIONS ARE SHOWN THE UPPER IS THE DESIGN DIMENSION, LOWER IS SECONDARY

| | |
|---------------------------------------------------------------------------------------------------------------------|------|
| 2 | B1 |
| SH. | REV. |
| REVISIONS | |
| ECN MG1998-2586 hole pattern/L+0.4-0.2 97-09-15 KN | |
| FOR PREVIOUS REVISIONS SEE MRL LIST | |
| L/TR | |
| CAD/CAM PROJECT NAME 85052000 611 | |
| THIS DRAWING CONTAINS INFORMATION THAT IS PROPRIETARY TO MOLEX INC. & SHOULD NOT BE USED WITHOUT WRITTEN PERMISSION | |
| TITLE 96 pos. female connector DIN 41612 style R + clip Dimensions | |
| MOLEX MOLEX EUROPE | |
| SHEET NO. DATE 1 OF 2 96/04/25 | |
| PART NO. DWG NO. SDA-85052-0001 | |
| SIZE B | |

